



HAILEY

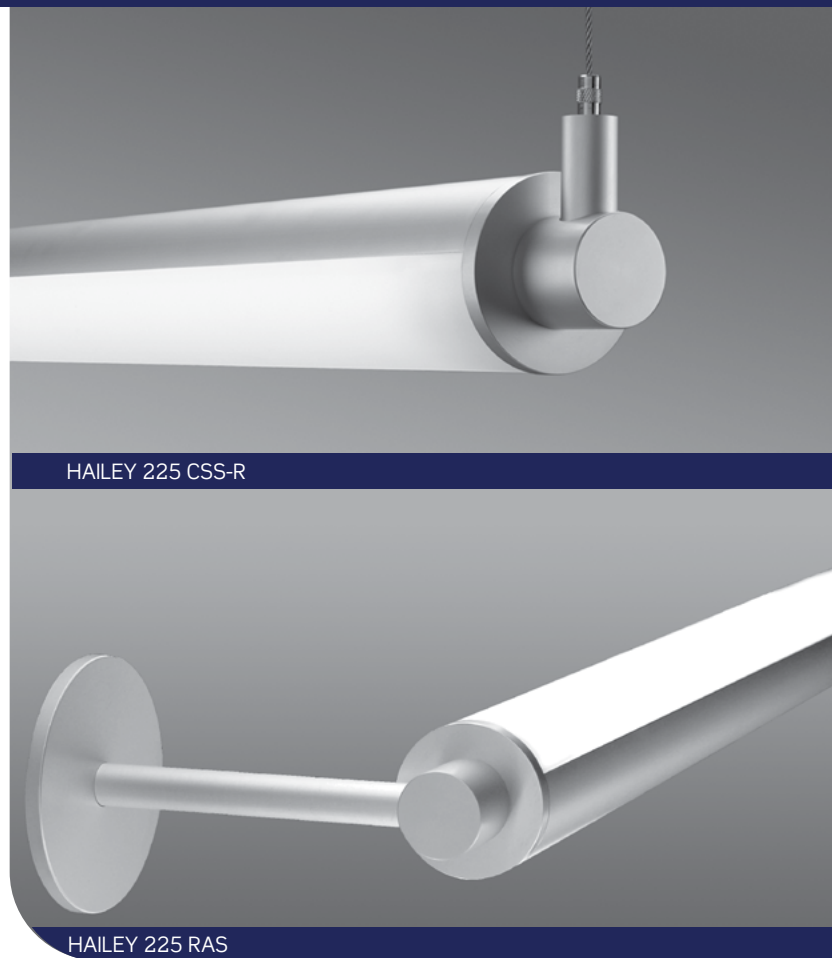
Round Architectural Luminaire

HAILEY Round Architectural Linear Luminaire

Sophistication, versatility and efficiency are the hallmarks of HAILEY round linear luminaires.

Minimal 1.25", 2.25" and 3.25" streamlined fixture profiles are manufactured of extruded aluminum, ensure straight and true stand-alone or continuous run installations. Rotational Arm System (RAS) allows fixtures to rotate up to 361° and feature lockable aiming for precise light delivery to the vertical, horizontal or ceiling plane. Cable Suspended System (CSS) for ceiling mount, and Stack light (STK) mounting for shelving applications are also available.

All connecting hardware is precision-engineered to remain invisible within the smooth extruded aluminum housing. Frosted White extruded acrylic lenses provide gorgeous illumination while still preserving the ultra-modern design aesthetic Birchwood Lighting is known for.



Features and Benefits:

- Available as 1.25", 2.25" and 3.25" aperture sizes
- Heavy gauge extruded aluminum housing
- Rotational Arm Mount System (RAS), Cable Suspended (CSS), and Stack Mounting (STK) with straight or bent arm mounting options
- LED, T5, T5HO or T8 linear fluorescent light sources
- Precision machined aluminum end caps conceal all hardware
- Standard integral power supply (225/325), remote (125)
- Optional dimming or emergency battery pack features available
- User defined LED lumen/wattage output (CLO)
- Custom colors and finishes available
- UL and c-UL listed for dry and damp locations

