
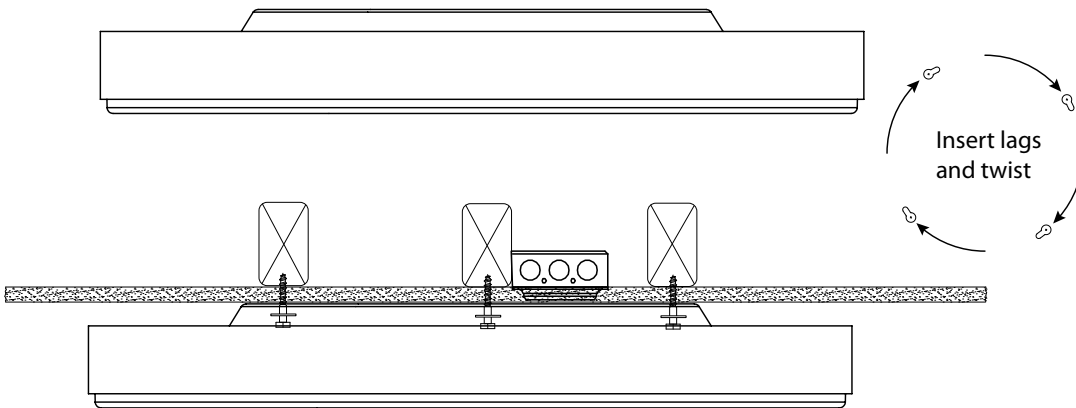
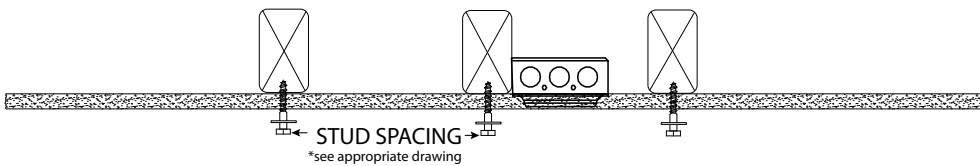
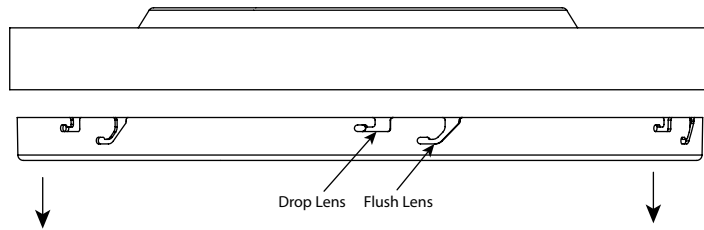
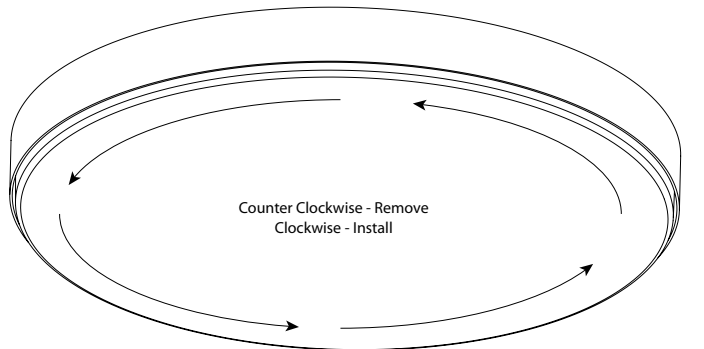


INSTRUCTION SHEET

SM - Surface Mount

	24" -45lbs	36" -55lbs	48" -65lbs
---	-------------------	-------------------	-------------------



1. See appropriate Stand Alone drawing for mounting locations.
2. Use appropriate fasteners with 3/8-1/2" washers into appropriate structure. Use mounting guide specified on drawing (pg2).
3. Remove Lens by twisting counter clockwise using the plastic handles, and unlatch (2' Thumb screw) LED liners and hinge down to access mounting holes and drivers.
4. J-box and 4S mud ring (By others) should be centered over fixture to line up with power hole, 1"-1.25" off center.
5. Remove knockouts on top of fixture for mounting hole access by rocking tab back and forth with screw driver.
6. Support Fixture near ceiling, bring wires through power hole into fixture.
7. Feed Fasteners through keyhole openings, twist fixture clockwise to lock in.
8. When in place, tighten fasteners to secured fixture.
9. Complete wire make-up in fixture.
10. Reinstall led liners.
11. Install lens by grasping the fixture with one hand and rotating the lens clockwise with the other hand until it "clicks" (Requires 2 people to hold in place while twisting. Once this occurs lens will float slightly but cannot fall out. Remove plastic handles.

Servicing is while fixture mounted

1. Two people are required to remove bottom lens, one on each side of the fixture, performing the same task at the same time. Grasp the fixture with one hand and rotate the lens counterclockwise with the other

hand until it "clicks". The Lens will drop free.

2. Slide spring latch to hinge down each liner half.
3. You will have access to all drivers behind liner.
4. Reassemble by following 1 and 2 steps in reverse.

Adjusting lens level

1. Two people are required to remove bottom lens, one on each side of the fixture, performing the same task at the same time. 2. Grasp the fixture with one hand and rotate the lens counterclockwise with the other hand until it "clicks". The Lens will drop free.
3. Select slot, raise and twist to lock into place.

820-00151
V-0419

Note: To be installed by a qualified electrician per N.E.C. and all local codes.

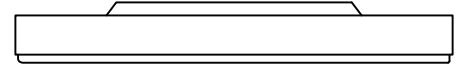
MICHELLE - SM

Circular LED Luminaire
Direct or Dr/ In

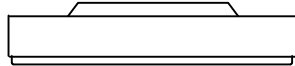
INSTRUCTION SHEET

SM - Surface Mounting Centers

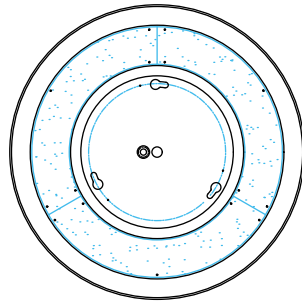
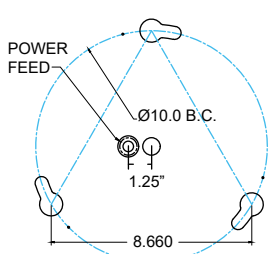
36" MICHELLE



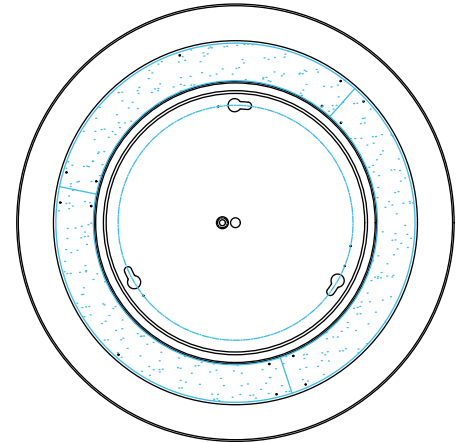
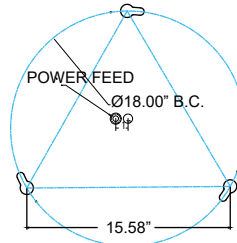
24" MICHELLE



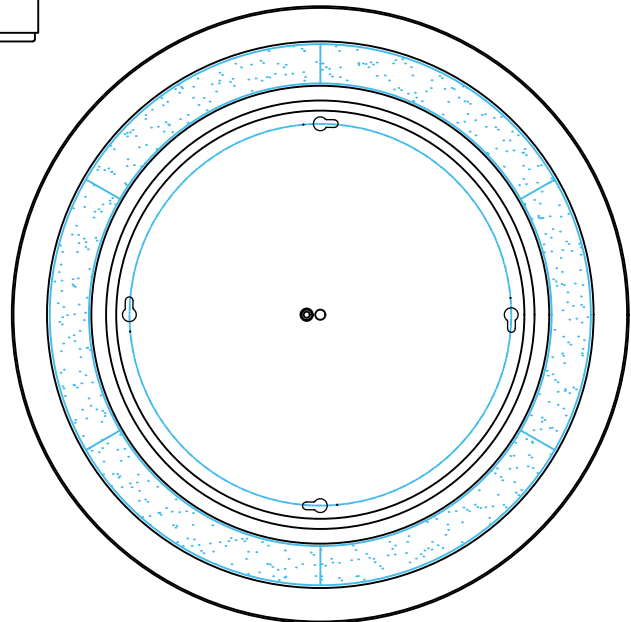
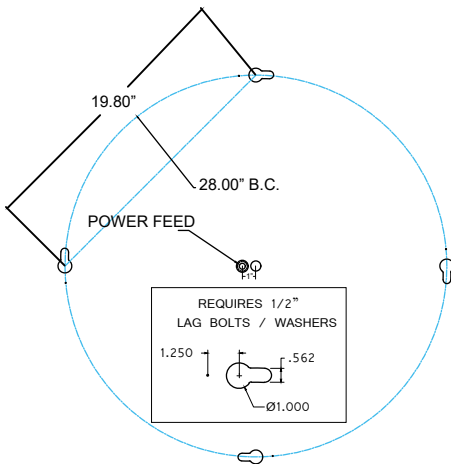
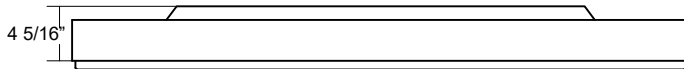
1.250
Ø1.4375
Ø0.875
REQUIRES 3/8" LAG BOLTS / WASHERS



1.250
Ø1.562
Ø1.000
REQUIRES 1/2" LAG BOLTS / WASHERS



48" MICHELLE



Note: To be installed by a qualified electrician per N.E.C. and all local codes.