

TRI - Tri-Side Lens

TD - Tear Drop Lens

Compact yet thoroughly robust, BRANDI is designed for architectural applications which demand a performance-driven Wet-Location luminaire that can keep the toughest elements out, but hold the most sophisticated style in.

BRANDI's 2 3/4" mounting profile in a Tri-Side or Tear Drop shape lens with concealed weather-sealing features, comprise a luminaire designed to withstand wet outdoor conditions while still blending into the surrounding architecture with ease. Various mounting orientations make installations in hard-to-reach areas less harrowing and allow light delivered almost anywhere: outdoor entrances, under walkways, pergolas or within structural eaves.

Heavy gauge extruded aluminum housing, machined end caps, extruded acrylic, polycarbonate lenses and interior gasketing make BRANDI the perfect choice under the most demanding weather conditions.

 UL and c-UL listed for wet locations.



Made in the USA



Meets or exceeds IP65 rating

FIXTURE SPECIFICATIONS

Lamping

Available with single T5, T5HO or T8 standard linear fluorescent lamps. Integral electronic ballast standard. Dimming and emergency battery options available. Consult factory for ballast availability and specifications.

Construction

Heavy gauge square extruded aluminum housing. Precision-machined aluminum end-caps. Extruded acrylic or polycarbonate lenses. Stainless steel hardware. Concealed weather-seal gaskets at end caps and lens on all fixtures and at fixture segment joints on continuous runs to meet an IP65 rating. Feed points accept 1/2" trade size threaded wet location conduit fittings.

Fixture Length

Fixtures are available in 2', 3', 4', 6' and 8' nominal lengths. Continuous run mounting available featuring water-sealed gaskets at fixture segment joints for maintaining Wet Location rating. See installation section for more details.

Finishes

(SMT) Silver Matte Texture, (MW) Matte White, or (FB) Flat Black. Other powder coat finishes available. Consult factory for details.

Lens Options

Impact resistant extruded lenses available in (TRI) Square shaped or (TDW) Teardrop shaped in either Frosted White acrylic (FW), Polycarbonate White (PCW) or Polycarbonate Clear (PCC).

Mounting

(SM) Surface Mount may be mounted on ceiling or wall in vertical or horizontal orientation.

Custom and Mods

We proudly specialize in manufacturing custom and modified luminaires and have the ability to modify most of our standard fixtures. Please contact factory with any inquiries.

www.birchwoodlighting.com

Type: _____ Job Name: _____

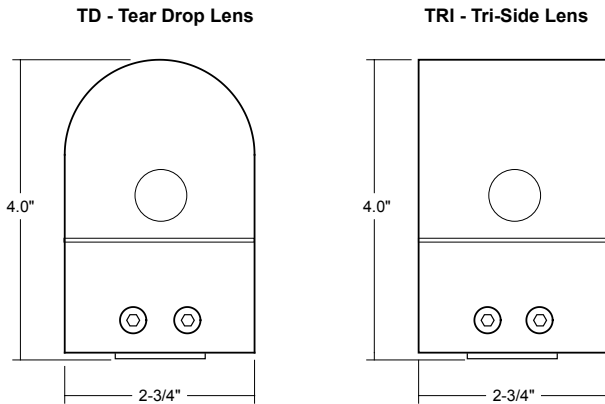
Surface Mount

SPECIFICATION CODE

BRA- _____
lamp type length finish feed point lens style lens voltage ballast mounting option

Lamp Type	Nominal Length	Finish	Feed	Lens Style	Lens	Voltage	Ballast	Mounting	Options
T5	2 - 2'	Powder Coat	BK - Back Feed	TD - Tear Drop Lens	FW - Frosted White	120	EB - Electronic (standard)	SM - Surface Mount	EM ³ - Emergency Battery (remote)
T5HO	3 - 3'	SMT - Silver Matte Texture	EFL ⁴ - End Feed Left			277	Dimming ⁵		
T8	4 - 4'	MW - Matte White	EF ⁴ - End Feed Right	TRI - Tri-Side Lens	PCW - Polycarbonate White		HL3 - Hi-Lume 3D		
	6 - 6'	FB - Flat Black	EFR ⁴ - End Feed Right				ES - EcoSystem		
	8 - 8'	CUP - Custom ²	EF2 ⁴ - End Feed (both ends)		PCC ⁶ - Polycarbonate Clear		ESH - EcoSystem H-Series		
	CR ¹ Continuous Run						D1 - 1% (nom) 0-10V		
							D10 - 10% 0-10V		

Dimensions



NOTES

- 1 specify length in nominal feet, see [CR matrix page](#)
- 2 contact factory for custom finish
- 3 EM battery packs are remote mounted along with driver(s) and test switch, consult factory for more info
- 4 each end feed adds 0.5" to overall length
- 5 not available in all lengths
- 6 only available with TD lens option

*see [option sheet](#) for details

