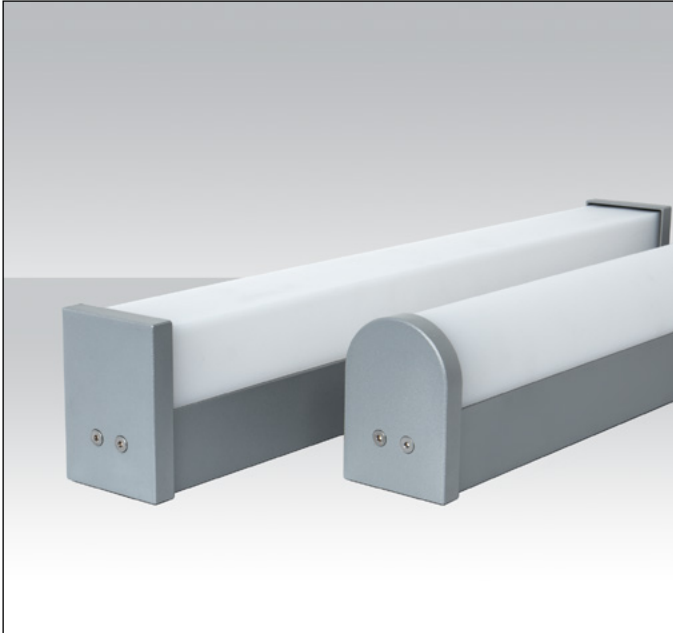


Surface Mount



TRI - Tri-Side Lens

TD - Tear Drop Lens


Compact yet thoroughly robust, BRANDI is designed for architectural applications which demand a performance-driven Wet-Location luminaire that can keep the toughest elements out, but hold the most sophisticated style in.

BRANDI's 2 3/4" mounting profile in a Tri-Side or Tear Drop shape lens with concealed weather-sealing features, comprise a luminaire designed to withstand wet outdoor conditions while still blending into the surrounding architecture with ease. Various mounting orientations make installations in hard-to-reach areas less harrowing and allow light delivered almost anywhere: outdoor entrances, under walkways, pergolas or within structural eaves.

Heavy gauge extruded aluminum housing, machined end caps, extruded acrylic, polycarbonate lenses and interior gasketing make BRANDI the perfect choice under the most demanding weather conditions.

 UL and c-UL listed for wet locations.

 Made in the USA

 Meets or exceeds IP65 rating

FIXTURE SPECIFICATIONS

Construction

Heavy gauge square extruded aluminum housing. Precision-machined aluminum end-caps. Extruded acrylic or polycarbonate lenses. Stainless steel hardware. Concealed weather-seal gaskets at end caps and lens on all fixtures and at fixture segment joints on continuous runs to meet an IP65 rating. Feed points accept 1/2" trade size threaded wet location conduit fittings.

Mounting Options

(SM) Surface Mount may be mounted on ceiling or wall in vertical or horizontal orientation.

Finishes

(SMT) Silver Matte Texture, (MW) Matte White, or (FB) Flat Black. Other powder coat finishes available. Consult factory for details.

LED Light Engine System

LED Light Engines are available as HLO (High Lumen Output) and SLO (Standard Lumen Output) providing efficient illumination. CLO (Custom Lumen Output) allows for end user specified lumen output or tailored wattage consumption for certain models. Consult factory for details.

Dimming

Dimming is available with a variety of control protocols and options. Consult factory for availability and specifications.

Lens Options

Impact resistant extruded lenses available in (TRI) Square shaped or (TDW) Teardrop shaped in either Frosted White acrylic (FW), Polycarbonate White (PCW) or Polycarbonate Clear (PCC).

Fixture Length

Fixtures are available in 2', 3', 4', 6' and 8' nominal lengths. Continuous run mounting available featuring water-sealed gaskets at fixture segment joints for maintaining wet location rating. See installation section for more details.

Custom and Mods

We proudly specialize in manufacturing custom and modified luminaires and have the ability to modify most of our standard fixtures. Please contact factory with any inquiries.

www.birchwoodlighting.com

Type: Job Name:

Surface Mount

SPECIFICATION CODE

BRA-LED

model light engine color temp length feed finish lens style lens voltage mounting driver options

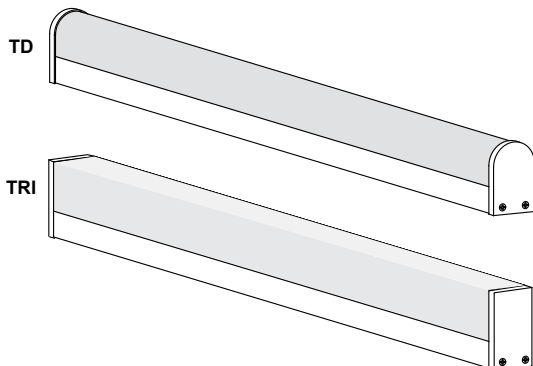
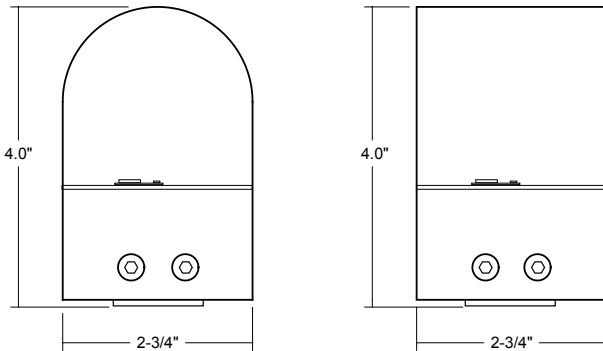
Model	Light Engine	Color Temp	Nominal Length	Feed	Finish	Lens Style	Lens	Voltage	Driver	Mounting	Options	
BRA-LED	SLO - Standard	27 - 2700K 30 - 3000K	2 - 2' 3 - 3'	BK - Back Feed	Powder Coat SMT - Silver	TD - Tear Drop	FW - Frosted White	120 277	EB - Electronic (standard)	SM - Surface Mount	EM ³ - Emergency Battery (remote)	
	HLO - High Lumen Output	35 - 3500K 40 - 4000K	4 - 4' 6 - 6' 8 - 8'	EFL ⁴ - End Feed Left	Matte Texture MW - Matte White	TRI - Tri-Side Lens	PCW - Polycarbonate White		Dimming D1 - 1% (nom) 0-10V		HAT - High Ambient Temperature	
	CLO - Custom Lumen Output		CR ¹ - Continuous Run	EFR ⁴ - End Feed Right EF2 ⁴ - End Feed (both ends)	FB - Flat Black CUP ² - Custom		PCC ⁵ - Polycarbonate Clear		D10 - 10% 0-10V			

[CLO Calculator](#)

Dimensions

TD - Tear Drop Lens

TRI - Tri-Side Lens



NOTES

- 1 specify length in nominal feet
- 2 contact factory for custom finish
- 3 EM battery packs are remote mounted along with driver(s) and test switch, consult factory for more info
- 4 each end feed adds 9/16" to overall length
- 5 only available with TD lens option

BRANDI is rated for operation with ambient temperatures not to exceed 40°C. Use specification code "HAT" for applications where ambient will be between 40° and 45°C. The "HAT" option is a thermistor which will control internal temperatures so as not to exceed internal device maximum temperature. At certain temperature thresholds, fixture will dim light output to keep internal temperatures within the acceptable range. Available for EB, D1 and D10 drivers only, consult factory for more details.

LED

TD-FW Lens (4000K)

SLO - 110 lm/watt delivered @ 4.5 w/ft fixture input watts, 489 lm/ft.
HLO - 99 lm/watt delivered @ 9.4 w/ft fixture input watts, 927 lm/ft.
CLO - refer to [CLO Calculator](#)

TRI-FW Lens (4000K)

SLO - 111 lm/watt delivered @ 405 w/ft fixture input watts, 494 lm/ft.
HLO - 100 lm/watt delivered @ 9.4 w/ft fixture input watts, 937 lm/ft.
CLO - refer to [CLO Calculator](#)