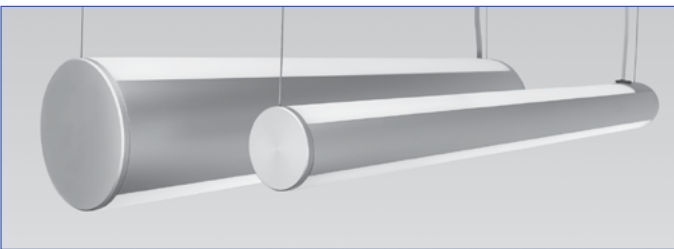
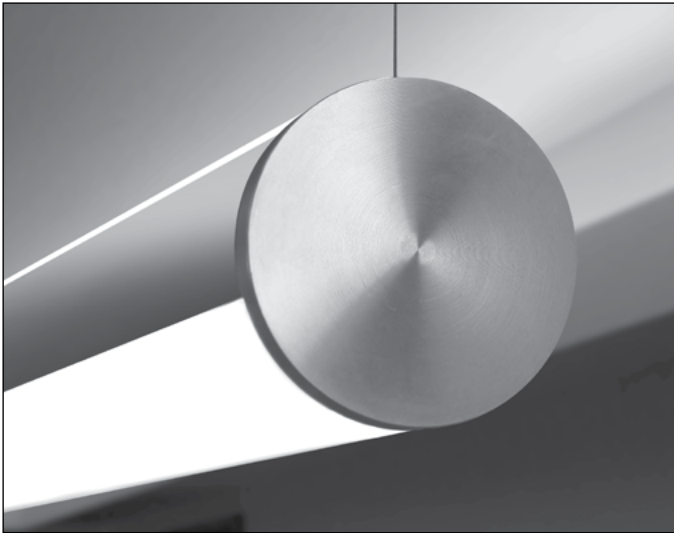


CHLOE LED

Direct/Indirect

2.25", 4.75" Round Profile Luminaire

CSS | CSS-R | RAS




CHLOE 475/225 CSS

Modern refinement, high efficiency and application versatility are the definition of CHLOE LED - our 2.25" and 4.75" round linear LED luminaire.

Designed to deliver direct/indirect light to the ceiling, wall or work plane, CHLOE LED is the perfect match for interior applications requiring high LED efficiency within the smooth lines of a sophisticated light instrument. Dimming capability, Two-Circuit switching (2CKT), or Continuous Run (CR) options make CHLOE LED exceptionally versatile for applications such as: open-plan offices, corridors, libraries or health facilities.

CHLOE LED's streamlined outer profile encases the precision-engineered interior underpinnings of a strong powerhouse while still maintaining an elegant profile and providing LED lighting efficiency.

 UL and c-UL listed for dry and damp locations.



Made in the USA

FIXTURE SPECIFICATIONS

Construction

Heavy gauge extruded aluminum housing. 1/4" thick precision machined aluminum end-caps. Extruded frosted acrylic lenses specifically engineered to deliver smooth and even illumination while maximizing light and luminaire performance.

Finishes

(SC) Satin Clear anodize is standard. (MW) Matte White or (FB) Flat Black powder coat finishes optional. Custom finishes available - consult factory.

Fixture Length

Fixtures are available in nominal lengths of 2, 3, 4, 6 and 8 feet. Continuous run mounting available featuring internal adjoining bracket and splines for a straight and precise installation

LED Light Engine System

LED Light Engines are available as HLO (High Lumen Output) and SLO (Standard Lumen Output) providing efficient illumination. CLO (Custom Lumen Output) allows for end user specified lumen output or tailored wattage consumption for certain models. Consult factory for details.

Dimming

Dimming is available with a variety of control protocols and options. Consult factory for availability and specifications.

Acrylic Lens Option

(FW) Frosted White.

Mounting

Field-adjustable 1/8" aircraft (CSS) Cable Suspension System for use with bracket bar, 5" round canopy and cable gripper device (included). 36" aircraft cable and (G) Gray power cord included as standard. (RAS) Rotational Arm System option provides 361° directional and lockable aiming with all mounting styles. See ordering guide for possible configurations.

Custom and Mods

We proudly specialize in manufacturing custom and modified luminaires and have the ability to modify most of our standard fixtures. Please contact factory with any inquiries.

www.birchwoodlighting.com

Type: _____ Job Name: _____

CSS | CSS-R | RAS

SPECIFICATION CODE

Model	Direct Light Engine	Indirect Light Engine	Color Temp	Nominal Length	Finish	Lens Direct	Lens Indirect	Voltage	Driver	Mounting
CHL-LED-225⁷ 2.25" round direct/indirect	SLO - Standard Lumen Output	SLO - Standard Lumen Output	27 - 2700K 30 - 3000K 35 - 3500K 40 - 4000K	2 - 2' 3 - 3' 4 - 4' 6 - 6' ⁸ 8 - 8' ⁸	Anodized SC - Satin Clear Powder Coat MW - Matte White FB - Flat Black CUP - Custom ²	FW - Frosted White	FW - Frosted White	120 277 347⁵	EB - Electronic DIM - Dimming D1 - 1% (nom) 0-10V D10 - 10% 0-10V HLA2⁹ - Lutron 2 wire HLA3 - Lutron 3 wire HLH - Lutron H EcoSystem HL5 - Lutron 5 series EcoSystem DALI - DALI	CSS - Cable Suspended CSS-R - Cable Suspended Rotational RAS - Rotational Arm Mount
CHL-LED-475 4.75" round direct/indirect	CLO⁵ - Custom Lumen Output CLO Calculator	CLO⁵ - Custom Lumen Output		CR ¹ - Continuous Run						

CSS/CSS-R/RAS options continued below

CSS/CSS-R SPECIFICATION CODE

CSS Options	CSS selections only ³					
Orientation³ - Cable Length CSS³ - Power Cord Color CSS³ - Canopy CSS³ - Canopy Finish	<table border="1"> <tr> <td>orientation</td> <td>standard cable length</td> <td>standard cord color</td> <td>standard canopy</td> <td>standard canopy finish</td> </tr> </table>	orientation	standard cable length	standard cord color	standard canopy	standard canopy finish
orientation	standard cable length	standard cord color	standard canopy	standard canopy finish		

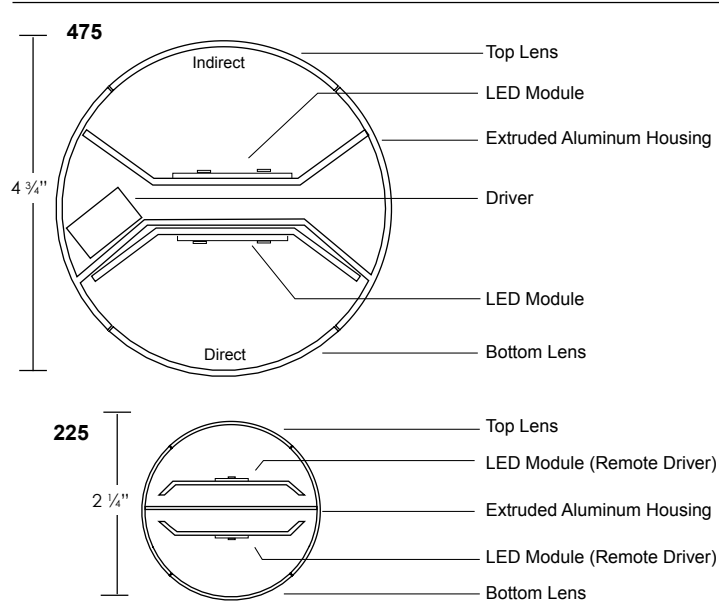
RAS SPECIFICATION CODE

RAS Options	RAS selections only ³			
RAS³ - Standard Cover Plate RAS³ - Cover Plate Finish RAS³ - Arm Length	<table border="1"> <tr> <td>standard plate/knuckle</td> <td>cover plate finish</td> <td>arm length</td> </tr> </table>	standard plate/knuckle	cover plate finish	arm length
standard plate/knuckle	cover plate finish	arm length		

OPTION CODE

Options
2CKT - 2 Circuit Switching
EM⁴ - Emergency Battery Pack

Dimensions



- NOTES**
- 1 specify length in nominal feet
 - 2 contact factory for custom finish
 - 3 see options on follow page for non-standard selections
 - 4 consult factory for EM options
 - 5 available for EB, D1, D10 drivers only
 - 6 120V only
 - 7 225 fixture driver and EM are remote
 - 8 225 fixture 6' length is made up of (2) 3' fixtures for CSS-R/RAS only
225 fixture 8' length is made up of (2) 4' fixtures for CSS-R/RAS only

*see [option sheet](#) for details

LED

225 (4000K FW lens)
SLO-SLO - 111 lm/watt delivered @ 5.8 w/ft fixture input watts, 643 lm/ft. HLO-HLO - 109 lm/watt delivered @ 11.8 w/ft fixture input watts, 1287 lm/ft. CLO-CLO - refer to CLO Calculator 225 LED supplement info
475 (4000K FW lens)
SLO-SLO - 109.9 lm/watt delivered @ 8.8 w/ft fixture input watts, 968 lm/ft. HLO-HLO - 103.3 lm/watt delivered @ 18 w/ft fixture input watts, 1860 lm/ft. CLO-CLO - refer to CLO Calculator 475 LED supplement info

CSS Options

Orientation/Mounting¹

DR/IN - Static Direct/Indirect

R - Rotational with 1.25" knuckle^{2,3}

R2 - Rotational with 2.25" knuckle^{2,3}

R3 - Rotational with 3.25" knuckle^{2,3,4}

Cable Length Options

36 - 36" (standard)

72 - 72"

120 - 120"

Power Cord Color Options

W - White

B - Black

G - Gray (standard)

Canopy Options

STND - Bracket bar w/5" round canopy

NC - No canopy 1/4-20 side exit cable gripper (1/4-20 stud provided by others)

CU - Custom (contact factory)

Canopy Finish Options

MW - Matte White

SMT - Silver Matte Texture

CUP - Custom (contact factory)

NOTE

1 225 CSS fixture lengths 6' and longer require 3 cables per segment

2 knuckles match housing finish

3 225 CSS-R fixture lengths 6' and longer are made up of multiple fixtures, 6' = (2) 3' sections, 8' = (2) 4' sections

4 not available for 225



RAS Options

Cover Plate/ Knuckle/Trim Ring

4CP-R 4" Cover Plate with 1.25" Knuckle (std)

4CP-R2 4" Cover Plate with 2.25" Knuckle

4CP-R3 4" Cover Plate with 3.25" Knuckle

1TR-R 1 1/4" Trim Ring with 1.25" knuckle

1TR-R2 1 1/4" Trim Ring with 2.25" knuckle

1TR-R3 1 1/4" Trim Ring with 3.25" knuckle

Cover Plate Finish

SC - Satin Clear (standard)

MW - Matte White

FB - Flat Black

CUP - Custom Powder Coat

Max arm lengths without additional support

*For lengths longer than max, Specify "TB" in option section for aircraft cable tie back.

	4'	6'	8'
225	18"	N/A	N/A
475	6"	6"	6"

Arm Length

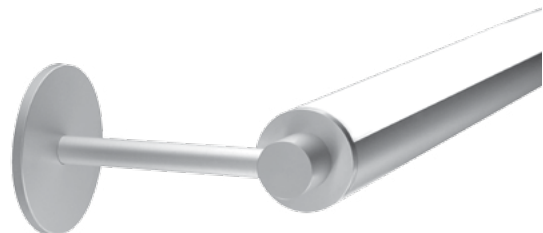
6 - 6" (standard)

9 - 9"

12 - 12"

18 - 18"

CUL - Custom (specify length in inches ex: CUL28)



NOTE

1 knuckles match housing finish

2 225 RAS fixture lengths 6' and longer are made up of multiple sections

3 not available for 225