

ERIKA LED

Direct/Indirect
Square/Rectangle

CSS




ERI-DR/IN-225 Flush Lens



Offering show-stopping elegance within a dynamic geometric shape and profile, ERIKA creates a sensational impression in any interior application.

Horizontally cable-suspended, ERIKA's lean and modern design can be specified in either square or rectangular shapes of 1.25", 2.25" or 3.25" mitered extruded aluminum. Extruded acrylic lenses in Flush or Reveal version, while integral dimming and battery pack options are also available for added lighting versatility.

Available with standard and custom lumen LED sources. Select Satin Clear (anodized), or Matte White or Flat Black (powder coat paint) as standard finishes. Custom finish options are also available.

 UL and c-UL listed for dry and damp locations.

 Made in the USA

FIXTURE SPECIFICATIONS

Construction

Heavy gauge square extruded aluminum housing. Extruded acrylic lenses specifically engineered to maximize the performance and transmission from a variety of light sources.

Mounting Options

Field-adjustable 1/8" aircraft (CSS) Cable Suspension System for use with bracket bar, 5" round canopy and cable gripper device. 3/6" aircraft cable and (G) Gray power cord are included as standard. For horizontal mounting orientation only.

Finishes

(SC) Satin Clear anodize is standard finish. Other powder coat finishes available. Consult factory for options.

LED Light Engine System

LED Light Engines are available as HLO (High Lumen Output) and SLO (Standard Lumen Output) providing efficient illumination. CLO (Custom Lumen Output) allows for end user specified lumen output or tailored wattage consumption for certain models. Consult factory for details.

Dimming

Dimming is available with a variety of control protocols and options. Consult factory for availability and specifications.

Acrylic Lens Style

(FW) Flush Frosted White lens, (RLW) Reveal Frosted White lens with 3/8" extension.

Custom and Mods

We proudly specialize in manufacturing custom and modified luminaires and have the ability to modify most of our standard fixtures. Please contact factory with any inquiries.

www.birchwoodlighting.com

Type: Job Name:

CSS

SPECIFICATION CODE

ERI-LED-DR/IN

model	configuration	direct light engine	indirect light engine	color temp	length	finish	lens direct	lens indirect	voltage	driver
Model	Configuration	Direct Light Engine	Indirect Light Engine	Color Temp	Nominal Length	Finish	Lens Direct	Lens Indirect	Voltage	Driver
ERI-LED-DR/IN-125S⁶ 1.25" Direct/Indirect	1DR-1IN - 1 light source direct/1 indirect	SLO - Standard Lumen Output	SLO - Standard Lumen Output	27 - 2700K 30 - 3000K 35 - 3500K 40 - 4000K	2X2 - 2' square 3X3 - 3' square 4X4 - 4' square	Anodized SC - Satin Clear	FW - Flush Lens SC - Satin Clear	FW - Flush Lens FW - Frosted White	120 277 347⁴	EB - Electronic
ERI-LED-DR/IN-225S 2.25" Direct/Indirect	1DR-0IN - 1 light source direct/0 indirect	HLO - High Lumen Output CLO⁴ - Custom Lumen Output	HLO - High Lumen Output CLO⁴ - Custom Lumen Output		Rectangle 2X3 - 2' x 3' 2X4 - 2' x 4' 3X4 - 3' x 4'	Powder Coat MW - Matte White FB - Flat Black CUP - Custom ²	RLW - Reveal MW - Frosted White FB - Flat Black CUP - Custom ²	RLW - Reveal MW - Frosted White FB - Flat Black CUP - Custom ²		Dimming D1 - 1% (nom) 0-10V D10 - 10% 0-10V HLA2⁵ - Lutron 2 wire HLA3 - Lutron 3 wire HLH - Lutron H EcoSystem HL5 - Lutron 5 series EcoSystem DALI - DALI
ERI-LED-DR/IN-325S 3.25" Direct/Indirect	• (0) designates No lamp option				x - Custom size ³					

[CLO Calculator](#)

CSS SPECIFICATION CODE

CSS Options

- CSS³** - Cable Length
- CSS³** - Power Cord Color
- CSS³** - Canopy
- CSS³** - Canopy Finish

CSS selections only³

standard cable length	standard cord color	standard canopy	standard canopy finish
-----------------------	---------------------	-----------------	------------------------

OPTION CODE

Options

- 2CKT** - 2 Circuit Switching

NOTES

- 1 specify length in nominal feet
- 2 contact factory for custom finish
- 3 see options below for non-standard selections
- 4 available for EB, D1, D10 drivers only
- 5 120V only
- 6 driver is remote

*see [option sheet](#) for details

CSS Options

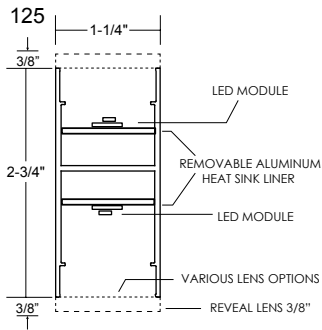
<p>Cable Length</p> <p>36 - 36" (standard) 72 - 72" 120 - 120"</p>	<p>Power Cord Color</p> <p>W - White B - Black G - Gray (standard)</p>
<p>Canopy</p> <p>STND - Bracket bar w/5" round canopy NC - No canopy 1/4-20 side exit cable gripper (1/4-20 stud provided by others) CU - Custom (contact factory)</p>	<p>Canopy Finish</p> <p>MW - Matte White Smt - Silver Matte Texture FB - Flat Black CUP - Custom (contact factory)</p>

LED

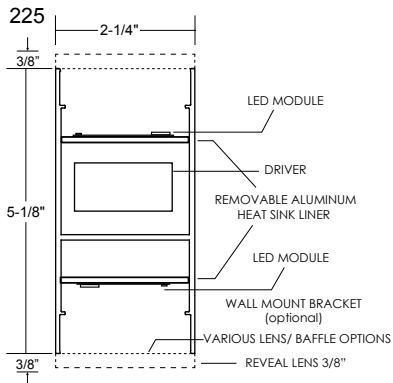
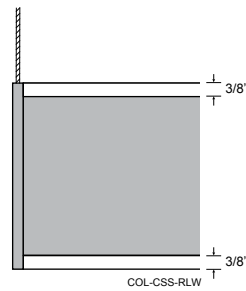
<p>125 (4000K FW lens) 60% Indirect / 40% Direct</p> <p>SLO-SLO - 71.7 lm/watt delivered @ 5.8 w/ft fixture input watts, 249 lm/ft. Indirect, 166 lm/ft. Direct HLO-HLO - 70.5 lm/watt delivered @ 11.8 w/ft fixture input watts, 499 lm/ft. Indirect, 333 lm/ft. Direct CLO-CLO - refer to CLO Calculator 225 LED supplement info</p>
<p>225 8' (4000K FW lens) 1DR-1IN*</p> <p>SLO-SLO - 99.6 lm/watt delivered @ 8.8 w/ft fixture input watts, 878 lm/ft. HLO-HLO - 93.6 lm/watt delivered @ 18 w/ft fixture input watts, 1686 lm/ft. CLO-CLO - refer to CLO Calculator 225 LED supplement info</p>
<p>325 8' (4000K FW lens) 1DR-1IN*</p> <p>SLO-SLO - 89.4 lm/watt delivered @ 8.8 w/ft fixture input watts, 786 lm/ft. HLO-HLO - 84 lm/watt delivered @ 18 w/ft fixture input watts, 1512 lm/ft. CLO-CLO - refer to CLO Calculator 325 LED supplement info</p>

* For 1DR-0IN divide lm/ft and w/ft data by 2

Dimensions



RLW Lens Dimensions



325

