

# HAILEY

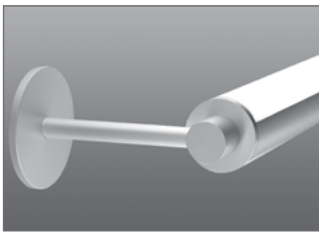
1.25", 2.25", 3.25"

Round Linear Fluorescent

RAS | STK | CSS



HAILEY 225 CSS-R




RAS



STK

HAILEY's round linear fluorescent profile features multiple mounting, lens and lamping options within 1.25", 2.25", or 3.25" diameter extruded aluminum housings. The (RAS) Rotating Arm System, combined with arm, cable or stack light mounting configurations, allows 361° lockable aiming for precise light distribution on the vertical, horizontal or ceiling plane. Continuous run installations deliver nearly seamless lines of efficient illumination by utilizing precision-engineered connecting hardware which remains invisible within the smooth extruded-aluminum housing. Frosted White acrylic lenses deliver light efficiently to any interior application or design.

HAILEY is sophistication, versatility and efficiency combined to elevate your specification. Available as single or double T5, T5HO or T8 lamping in 2' to 8' nominal lengths.

 UL and c-UL listed for dry and damp locations.

 Made in the USA

## FIXTURE SPECIFICATIONS

### Construction

Heavy gauge round extruded aluminum housing. 1/4" thick precision-machined aluminum end-caps. Extruded frosted acrylic lenses specifically engineered to deliver smooth and even illumination while maximizing light and luminaire performance.

### Lamping

T5, T5HO or T8 fluorescent lamps available in cross-section. Integral electronic ballast standard in 2.25" (T5 only) and 3.25" profiles. Remote electronic ballast standard in 1.25" profile. Dimming ballasts and emergency battery pack options available, consult factory.

### Fixture Length

Fixtures are available in 2', 3', 4', 6' and 8' nominal lengths (6' and 8' not available for 1.25). Continuous run mounting available featuring internal adjoining mounting hardware enabling straight and precise rows. See installation section for more details.

### Finishes

(SC) Satin Clear anodized is standard finish. Other powder coat finishes available. Consult factory for details.

### Acrylic Lens Options

(FW) Frosted White.

### Mounting Options

(CSS) Cable Suspension System field-adjustable 1/8" aircraft cable, (STK) Stack mount with straight or bent arm options extending as single-sided or double-sided from the stack housing. (RAS) Rotational Arm System accessory provides 361° directional and lockable aiming with all mounting styles. See ordering guide for possible configurations.

### Custom and Mods

We proudly specialize in manufacturing custom and modified luminaires and have the ability to modify most of our standard fixtures. Please contact factory with any inquiries.

www.birchwoodlighting.com

Type:

Job Name:

RAS | STK | CSS

## SPECIFICATION CODE

CSS selection options only<sup>4</sup>

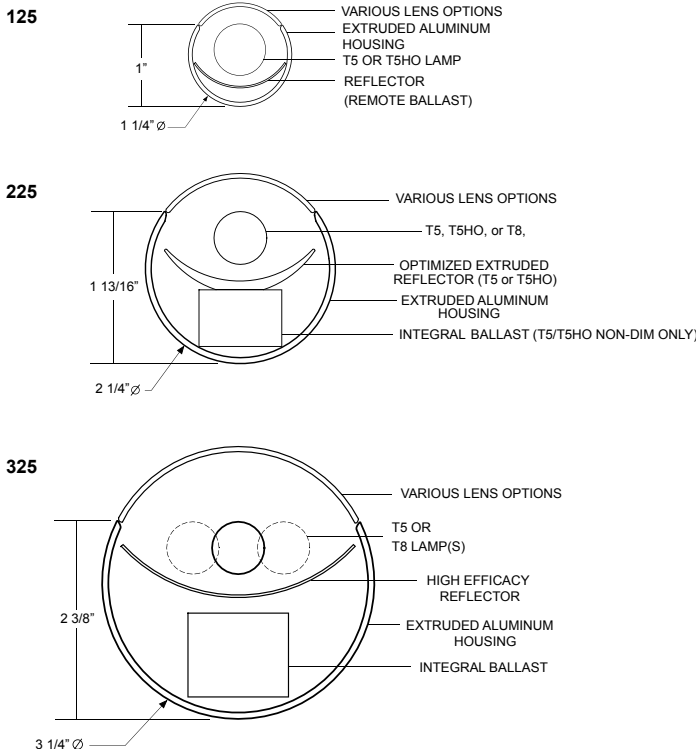
RAS only<sup>4</sup>

STK only<sup>4</sup>

model	lamp	length	finish	lens	voltage	ballast	mounting	orientation	standard cable length <sup>4</sup>	standard cord color	standard canopy	standard canopy finish	standard cover plate	cover plate finish	arm length	arm style	arm length	arm height	option
-------	------	--------	--------	------	---------	---------	----------	-------------	------------------------------------	---------------------	-----------------	------------------------	----------------------	--------------------	------------	-----------	------------	------------	--------

Model	Lamp Type	Nominal Length	Finish	Lens	Voltage	Ballast	Mounting	Options
<b>HAI-125</b> 1.25" diameter	Standard <b>T5</b> <b>T5HO</b> <sup>6</sup> <b>T8</b> <sup>1,2</sup>	<b>2 - 2'</b> <b>3 - 3'</b> <b>4 - 4'</b> <b>6 - 6'</b> <sup>1,7</sup> <b>8 - 8'</b> <sup>1,7</sup>	Anodized <b>SC - Satin</b> Clear	<b>FW - Frosted White</b> <b>NL - No Lens</b>	<b>120</b> <b>277</b>	<b>EB - Electronic</b> (standard)  Dimming <sup>2</sup> <b>HL3</b> <sup>8</sup> - Hi-Lume 3D <b>ES</b> <sup>8</sup> - EcoSystem <b>ESH</b> - EcoSystem H-Series <b>0-10V - 0-10V</b>	<b>CSS -</b> Cable Suspended (36" standard)  <b>RAS -</b> Rotational Arm System  <b>STK1 -</b> Stack Mount Single side arm mount  <b>STK2 -</b> Stack Mount Double side arm mount	Orientation <sup>4</sup> Cable Length <sup>4</sup> Cord Color <sup>4</sup> Canopy <sup>4</sup> Canopy Finish <sup>5</sup>  Cover Plate/ Knuckle <sup>4</sup> Cover Finish <sup>5</sup> Arm Length <sup>4</sup>  Arm Style <sup>4</sup> Arm Length <sup>4</sup> Arm Height <sup>4</sup>  Custom Finish <sup>5</sup>  <b>EM - Emergency</b> Battery Pack <b>TB - Cable</b> Tie Back
<b>HAI-225</b> 2.25" diameter			Powder Coat <b>MW - Matte</b> White					
<b>HAI-325-1</b> 3.25" diameter 1 lamp in cross section			<b>CR</b> <sup>3,7</sup> Continuous Run <b>FB - Flat</b> Black <b>CUP - Custom</b> <sup>5</sup>					
<b>HAI-325-2</b> 3.25" diameter 2 lamps in cross section								

## Dimensions



## NOTES

- not available for 125
- remote ballast for 225
- specify length in nominal feet
- see HAILEY options sheet for selections
- contact factory for custom finish
- (2) T5HO lamps not available on lensed fixture
- staggered lamping standard on 325 6' and longer
- for CSS with ES or HL3 option, ballast is wired at factory for 3-wire control, for digital dimming control (E1/E2), consult factory

# HAILEY

1.25", 2.25", 3.25"

Round Linear Fluorescent

RAS | STK | CSS - Options Page

## RAS Options

### Cover Plate/ Knuckle/Trim Ring

- 4CP - R** 4" Cover Plate with 1.25" Knuckle (stnd)
- 4CP - R2** 4" Cover Plate with 2.25" Knuckle
- 4CP - R3** 4" Cover Plate with 3.25" Knuckle
- 1TR - R** 1 1/4" Trim Ring with 1.25" knuckle
- 1TR - R2** 1 1/4" Trim Ring with 2.25" knuckle
- 1TR - R3** 1 1/4" Trim Ring with 3.25" knuckle

Max arm lengths without additional support  
\*For lengths longer than max, Specify "TB" in option section for aircraft cable tie back.

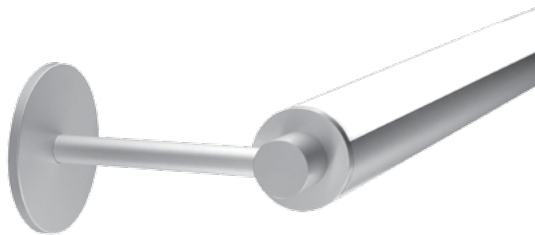
	4'	6'	8'
125	18"	N/A	N/A
225	18"	12"	9"
325	12"	9"	6"

### Cover Plate Finish

- SC** - Satin Clear (standard)
- MW** - Matte White
- FB** - Flat Black
- CUP** - Custom Powder Coat

### Arm Length

- 6** - 6" (standard)
- 9** - 9"
- 12** - 12"
- 18** - 18"
- CUL** - Custom (specify length in inches ex: CUL28)



HAILEY 225 RAS

**NOTE**  
cover plates, knuckles, and arm match housing finish

## Stack Options

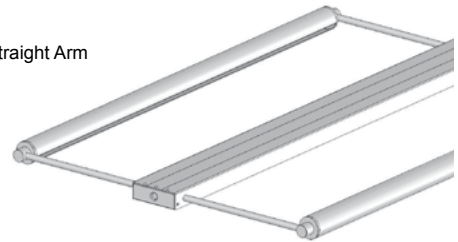
### STK1-BA

Single Stack Bent Arm



### STK2-SA

Double Stack Straight Arm



### Arm Style

- SA** - Straight Arm
- BA** - Bent Arm
- CA** - Custom (supply drawing)

### Arm Length

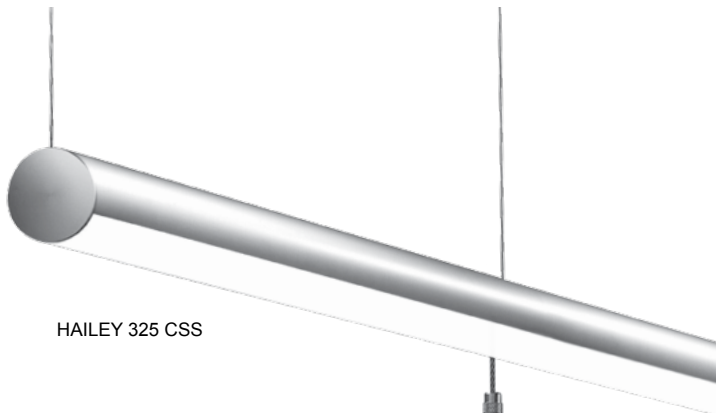
- 6** - 6"
- 9** - 9"
- 12** - 12"
- 18** - 18"
- CUL** - Custom (specify length in inches ex: CUL28)

### Bent Arm Height

- 6"** (standard)
- CUH** - Custom Height (specify length in inches ex: CUH28)

**NOTE**

knuckles and arm match housing finish  
stack housing standard is silver powder coat finish



HAILEY 325 CSS



HAILEY 225 CSS-R

## CSS Options

### Orientation

- DR** - Direct
- IN** - Indirect
- R** - Rotational with 1.25" knuckle<sup>1</sup>
- R2** - Rotational with 2.25" knuckle<sup>1</sup>
- R3** - Rotational with 3.25" knuckle<sup>1</sup>

### Cable Length Options

- 36** - 36" (standard)
- 72** - 72"
- 120** - 120"

### Power Cord Color Options

- W** - White
- B** - Black
- G** - Gray (standard)

### Canopy Options

- STND** - Bracket bar w/5" round canopy
- NC** - No canopy 1/4-20 side exit cable gripper (1/4-20 stud provided by others)
- CU** - Custom (contact factory)

### Canopy Finish Options

- MW** - Matte White
- SMT** - Silver Matte Texture
- CUP** - Custom (contact factory)

**NOTE**

<sup>1</sup> knuckles match housing finish



HAILEY STK1-SA