

KELSEY LED

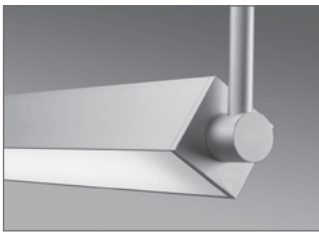
1.25", 2.25", 3.25"

Square Linear LED

CSS | RAS | SM | STK



KELSEY 125 CSS- R



RAS



RLW Lens

KELSEY's square linear LED profile features multiple mounting, lens and lamping options within 1.25", 2.25", or 3.25" extruded aluminum housings. The (RAS) Rotating Arm System (available with arm, cable or stack light mounting configurations) allows 361° lockable aiming for precise light distribution on the vertical, horizontal or ceiling plane. (SM) Surface mounting is also available. Continuous run installations deliver nearly seamless lines of efficient illumination by utilizing precision-engineered connecting hardware which remains invisible within the smooth extruded-aluminum housing. Frosted white flush or reveal 3/8" extended acrylic lenses deliver light efficiently to any interior application or design. Flat Blade Semi-Specular Louvers deliver light efficiently to any interior application.

KELSEY offers smooth directional linear illumination within a sharp, streamlined architectural profile. Available in 2' to 8' nominal lengths.

 UL and c-UL listed for dry and damp locations.



Made in the USA

FIXTURE SPECIFICATIONS

Construction

Heavy gauge square extruded aluminum housing. 1/4" thick precision-machined aluminum end-caps. Extruded acrylic lenses specifically engineered to maximize the performance and transmission from a variety of light sources.

Mounting Options

(CSS) Cable Suspension System field-adjustable 1/8" aircraft cable, (CSS-R) Cable Suspension Rotational System, (SM) Surface mount, or (STK) Stack mount with straight or bent arm options extending as single-sided or double-sided from the stack housing. (RAS) Rotational Arm System provides 361° directional and lockable aiming for CSS or STK mounting styles. See ordering guide for possible configurations.

LED Light Engine System

LED Light Engines are available as HLO (High Lumen Output) and SLO (Standard Lumen Output) providing efficient illumination. CLO (Custom Lumen Output) allows for end user specified lumen output or tailored wattage consumption for certain models. Consult factory for details.

Dimming

Dimming is available with a variety of control protocols and options. Consult factory for availability and specifications.

Finishes

(SC) Satin Clear anodized is standard finish. Other powder coat finishes available. Consult factory for details.

Acrylic Lens and Louver Options

(FW) Frosted White flush lens or (RLW) Reveal Frosted White with 3/8" extension. (FBLSS) Flat Blade Louver Semi-Specular with diffusing layer.

Fixture Length

Fixtures are available in 2', 3', 4', 5', 6' and 8' nominal lengths. Continuous run mounting and mitered angles available featuring internal adjoining mounting hardware enabling straight and precise rows. See installation section for more details.

Custom and Mods

We proudly specialize in manufacturing custom and modified luminaires and have the ability to modify most of our standard fixtures. Please contact factory with any inquiries.

V-0717

www.birchwoodlighting.com

Type: Job Name:

CSS | RAS | SM | STK

SPECIFICATION CODE

model light engine color temp length finish lens voltage driver mounting

CSS selection options only²

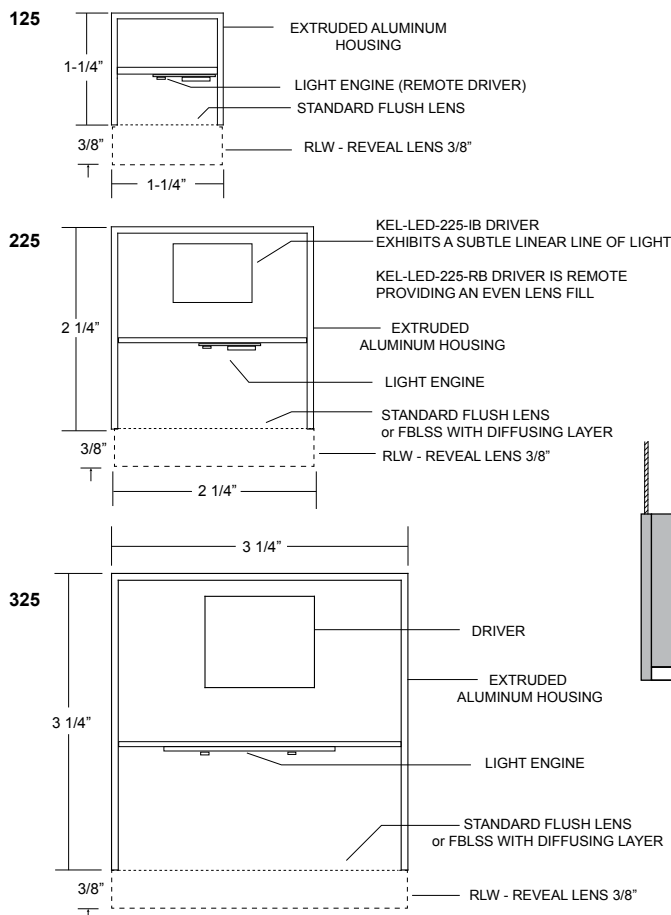
RAS only²

STK only²

orientation	standard cable length ²	standard cord color	standard canopy	standard canopy finish	standard cover plate	cover plate finish	arm length	arm style	arm length	arm height	option
-------------	------------------------------------	---------------------	-----------------	------------------------	----------------------	--------------------	------------	-----------	------------	------------	--------

Model	Light Engine	Color Temp	Nominal Length	Finish	Lens	Voltage	Driver	Mounting	Options
KEL-LED-125 - 1.25"	SLO - Standard Lumen Output	27 - 2700K 30 - 3000K 35 - 3500K	2 - 2' 3 - 3' 4 - 4'	Anodized SC - Satin Clear	FW - Frosted White	120 277 347⁷	EB - Electronic (standard)	CSS - Cable Suspended (36" standard)	CSS Orientation ² Cable Length ² Cord Color ² Canopy ² Canopy Finish ³
KEL-LED-225-IB⁸ - 2.25" integral driver	HLO - High Lumen Output	40 - 4000K	5 - 5' 6 - 6' 8 - 8'	Powder Coat MW - Matte White	RLW - Reveal Frosted White 3/8" extended	Dimming D1 - 1% (nom) 0-10V	RAS - Rotational Arm System	RAS Cover Plate/ Knuckle ² Cover Finish ³ Arm Length ²	
KEL-LED-225-RB⁸ - 2.25" remote driver	CLO⁷ - Custom Lumen Output CLO Calculator			FB - Flat Black	FBLSS⁴ - Flat Blade Louver Semi-Specular	D10 - 10% 0-10V	SM - Surface Mount		
KEL-LED-325 - 3.25"				CR¹ - Continuous Run MTR-R⁹ - Miter Run		HLA2⁵ - Lutron 2 wire HLA3 - Lutron 3 wire HLH - Lutron H EcoSystem HL5 - Lutron 5 series EcoSystem DALI - DALI	STK1 - Stack Mount Single side arm mount STK2 - Stack Mount Double side arm mount	STK Arm Style ² Arm Length ² Arm Height ² Custom Finish ³	

Dimensions



NOTES

- 1 specify length in nominal feet
- 2 see KELSEY option sheet for selections
- 3 contact factory for custom finish
- 4 only available in 225 and 325
- 5 consult factory for EM options
- 6 120V only
- 7 available for EB, D1, D10 drivers only
- 8 IB option exhibits a subtle linear line of light on the lens
RB option provides an even lens fill
- 9 see [miter worksheet](#) for specification (detailed drawing required)

LED

KEL-LED-125 (4000K FW lens)

SLO - 97.5 lm/watt delivered @ 2.9 w/ft fixture input watts, 283 lm/ft.
HLO - 95.7 lm/watt delivered @ 5.9 w/ft fixture input watts, 565 lm/ft.
CLO - refer to [CLO Calculator](#)
 125 LED [supplement info](#)

KEL-LED-225-IB (4000K FW lens)

SLO - 100.5 lm/watt delivered @ 2.9 w/ft fixture input watts, 292 lm/ft.
HLO - 98.7 lm/watt delivered @ 5.9 w/ft fixture input watts, 583 lm/ft.
CLO - refer to [CLO Calculator](#)
 225 LED [supplement info](#)

KEL-LED-225-RB (4000K FW lens)

SLO - 72 lm/watt delivered @ 4.4 w/ft fixture input watts, 317 lm/ft.
HLO - 67.7 lm/watt delivered @ 9 w/ft fixture input watts, 609 lm/ft.
CLO - refer to [CLO Calculator](#)
 225 LED [supplement info](#)

KEL-LED-325 (4000K FW lens)

SLO - 90.8 lm/watt delivered @ 4.4 w/ft fixture input watts, 400 lm/ft.
HLO - 85.4 lm/watt delivered @ 9 w/ft fixture input watts, 769 lm/ft.
CLO - refer to [CLO Calculator](#)
 325 LED [supplement info](#)

V-0717

KELSEY LED

1.25", 2.25", 3.25"

Square Linear LED

CSS | RAS | SM | STK - Options Page

RAS Options

Cover Plate/ Knuckle/Trim Ring

- 4CP - R 4" Cover Plate with 1.25" Knuckle (stnd)
- 4CP - R2 4" Cover Plate with 2.25" Knuckle
- 4CP - R3 4" Cover Plate with 3.25" Knuckle
- 1TR - R 1 1/4" Trim Ring with 1.25" knuckle
- 1TR - R2 1 1/4" Trim Ring with 2.25" knuckle
- 1TR - R3 1 1/4" Trim Ring with 3.25" knuckle

Cover Plate Finish

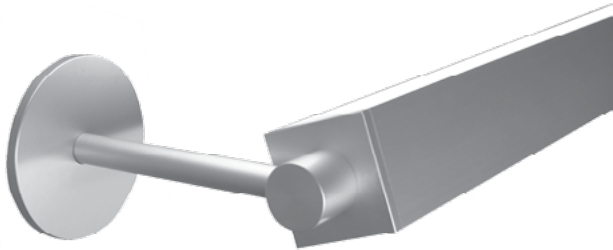
- SC - Satin Clear (standard)
- MW - Matte White
- FB - Flat Black
- CUP - Custom Powder Coat

Max arm lengths without additional support
*For lengths longer than max, Specify "TB" in option section for aircraft cable tie back.

	4'	6'	8'
125	18"	12"	12"
225	18"	12"	9"
325	12"	9"	6"

Arm Length

- 6 - 6" (standard)
- 9 - 9"
- 12 - 12"
- 18 - 18"
- CUL - Custom (specify length in inches ex: CUL28)



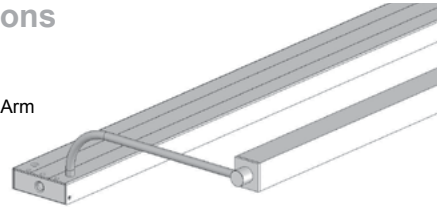
KELSEY 225 RAS

NOTE
Cover plate, knuckles, and arm match housing finish

Stack Options

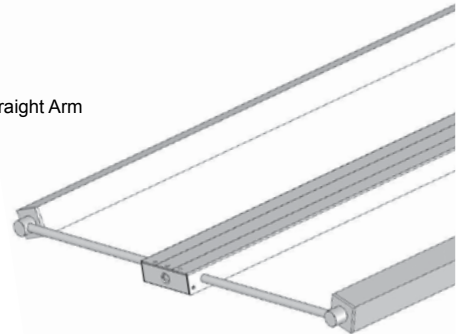
STK1-BA

Single Stack Bent Arm



STK2-SA

Double Stack Straight Arm



Arm Length

- 6 - 6"
- 9 - 9"
- 12 - 12"
- 18 - 18"
- CUL - Custom (specify length in inches ex: CUL28)

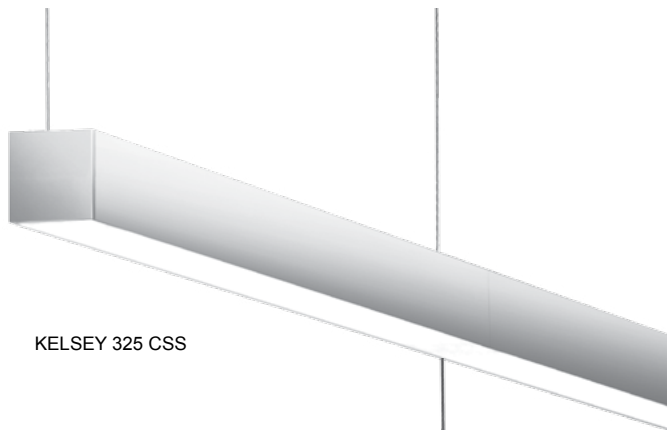
Arm Style

- SA - Straight Arm
- BA - Bent Arm
- CA - Custom (supply drawing)

Bent Arm Height

- 6" (standard)
- CUH - Custom Height (specify length in inches ex: CUH28)

NOTE
knuckles and arm match housing finish
stack housing standard is silver powder coat finish



KELSEY 325 CSS



KELSEY 225 CSS-R

CSS Options

Orientation

- DR - Direct
- IN - Indirect
- R - Rotational with 1.25" knuckle¹
- R2 - Rotational with 2.25" knuckle¹
- R3 - Rotational with 3.25" knuckle¹

Cable Length Options

- 36 - 36" (standard)
- 72 - 72"
- 120 - 120"

Power Cord Color Options

- W - White
- B - Black
- G - Gray (standard)

Canopy Options

- STND - Bracket bar w/5" round canopy
- NC - No canopy 1/4-20 side exit cable gripper (1/4-20 stud provided by others)
- CU - Custom (contact factory)

Canopy Finish Options

- MW - Matte White
- SMT - Silver Matte Texture
- CUP - Custom (contact factory)

NOTE
1 knuckles match housing finish

KELSEY LED

1.25", 2.25", 3.25"

Square Linear LED

Type:

Job Name:

Application



KELSEY 225 LED CSS