



With a vast assortment of ultra-minimal housing profiles that can accommodate T5/T5HO or T8 linear lamps, WP SYSTEM Specification Grade Strip fixtures are the perfect choice when less is best.

Choose from many styles, including: side mount, diagonal, adjustable staggered or individual modules in shorter lengths. Whatever your specification requires, WP SYSTEM fixtures can deliver strong light while providing durability and value to any interior project: commercial, architectural, residential or retail.

Acrylic lenses of White, Clear Prismatic or Clear offer variety for delivering illumination, and combined with dimming capabilities, or emergency battery options complete the make-up for one of our most popular and enduring product lines.

 UL and c-UL listed for dry and damp locations.

 Made in the USA

FIXTURE SPECIFICATIONS

Construction

Die-formed heavy duty 20 gauge steel construction. Post-formed high reflectivity white powder coat finish provides smooth edges, rust-resistance and even coverage on entire fixture. End caps are smooth as standard. Knock-outs on end caps are stamped as optional (KO).

Lamping and Ballast

Single T5, T5HO or T8 linear fluorescent lamps in cross section. Integral electronic ballast standard. (EM) Emergency battery pack options available. Consult factory for availability and specifications.

Finishes

Post-formed high-reflectivity white powder coat finish. Custom colors available - consult factory.

Mounting

Suitable for surface mounting in multiple applications. Ideal as low profile interior fixture. ADA compliant. Compatible for field thru-wiring.

Lenses

Snap on acrylic lenses are available as (ACW) White, (ACC) Clear, or (ACP) Clear Prismatic.

Fixture Length

Fixtures are available in nominal lengths of 2, 3, and 4 feet.

Custom and Mods

We proudly specialize in manufacturing custom and modified luminaires and have the ability to modify most of our standard fixtures. Please contact factory with any inquiries.

www.birchwoodlighting.com

Type: _____ Job Name: _____

Multi-Application Surface Mount

SPECIFICATION CODE

WP-

lamps/model length finish knock outs lens voltage ballast option

Lamps/Model	Nominal Length	Finish	Knock Outs	Lens	Voltage ¹	Ballast	Option
T5M Mini Profile	2 - 2' 3 - 3' 4 - 4'	HRW - High Reflectivity White (standard)	NKO - No Knock Outs on ends (standard)	ACW - White ACC - Clear ACP - Clear Prismatic	120 277	EB - Electronic (standard)	EM^{2,3} - Emergency Battery Pack
T5MD - Mini Dimmable Profile		CUP - Custom Paint	KO - Knock Outs on ends			Dimming³ HL3 - Hi-Lume ES - EcoSystem ESH - EcoSystem H-Series	
T5HOMD - Mini Dimmable Profile						0-10V - 0-10V	
T8S - Standard Profile							

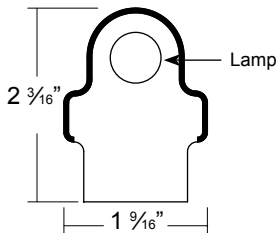
Nominal Length	Actual Lengths		
	T5	T5HO	T8
2	22 9/16"	22 9/16"	24 1/8"
3	34 9/16"	34 9/16"	36 1/8"
4	46 9/16"	46 9/16"	48 1/8"

NOTES

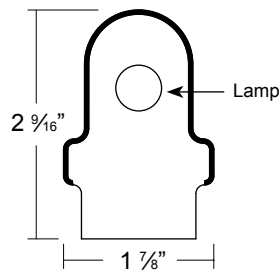
- 1 other voltages available, consult factory
- 2 only available in 4' or longer
- 3 not available on T5M fixture

Dimensions

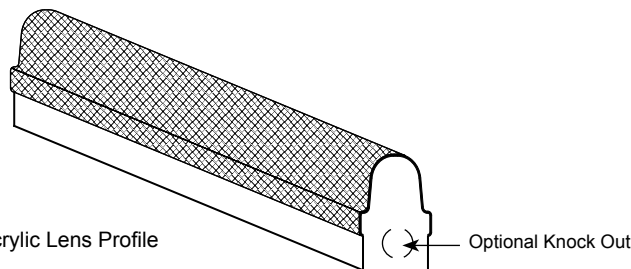
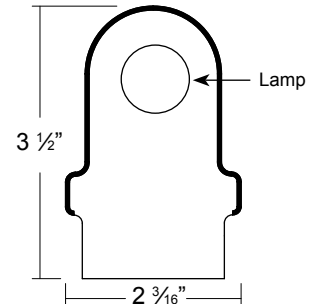
T5M
Mini Profile



T5MD / T5HO
Mini Dimmable Profile



T8S
Standard Profile



Single Lamp Acrylic Lens Profile