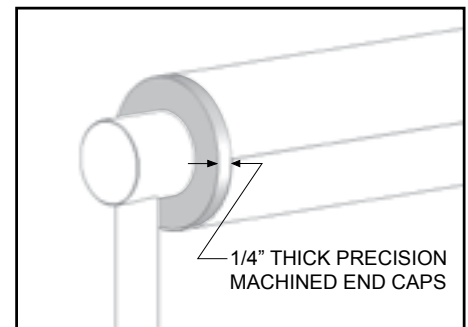
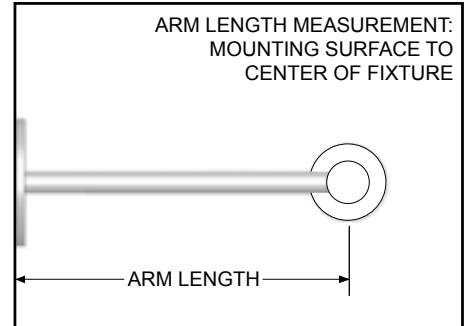
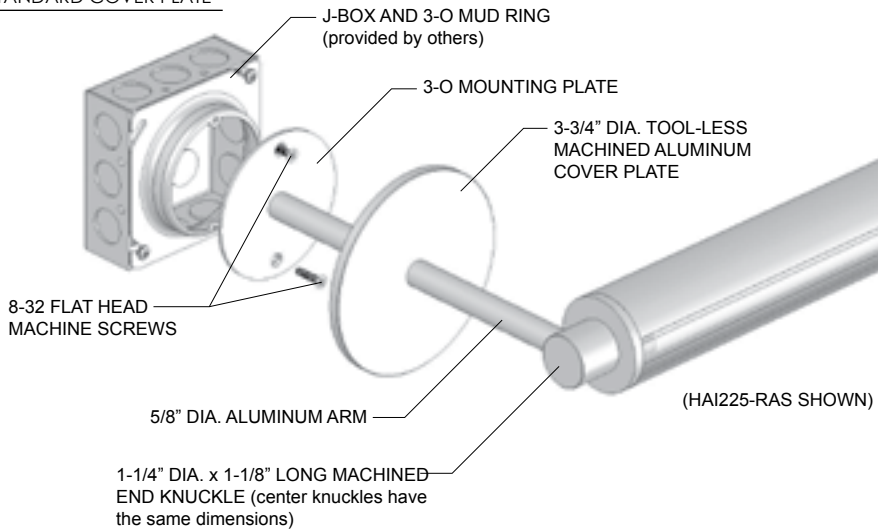


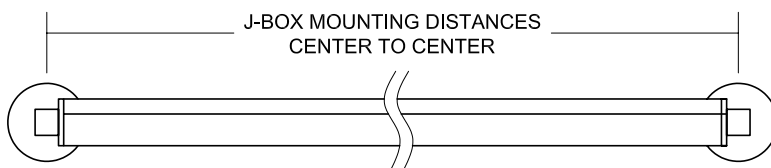
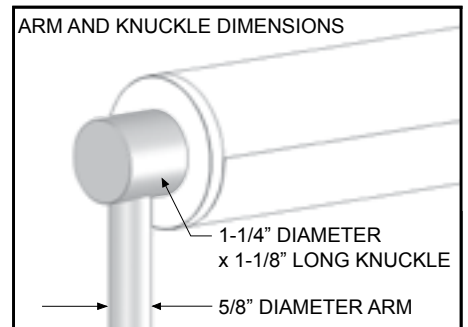
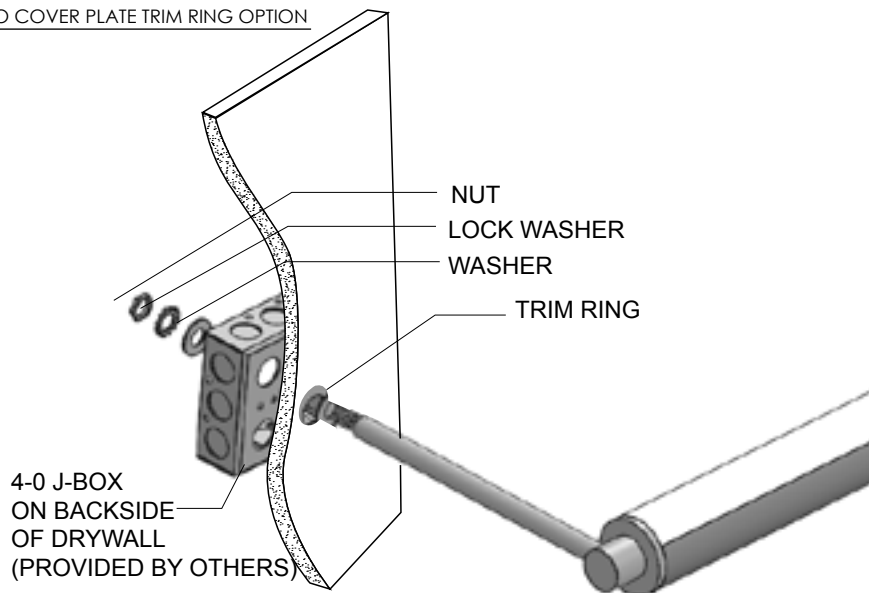
INSTRUCTION SHEET

RAS Installation Guide

STANDARD COVER PLATE



NO COVER PLATE TRIM RING OPTION



See continuous run matrix pages for fixture length and cable spacing

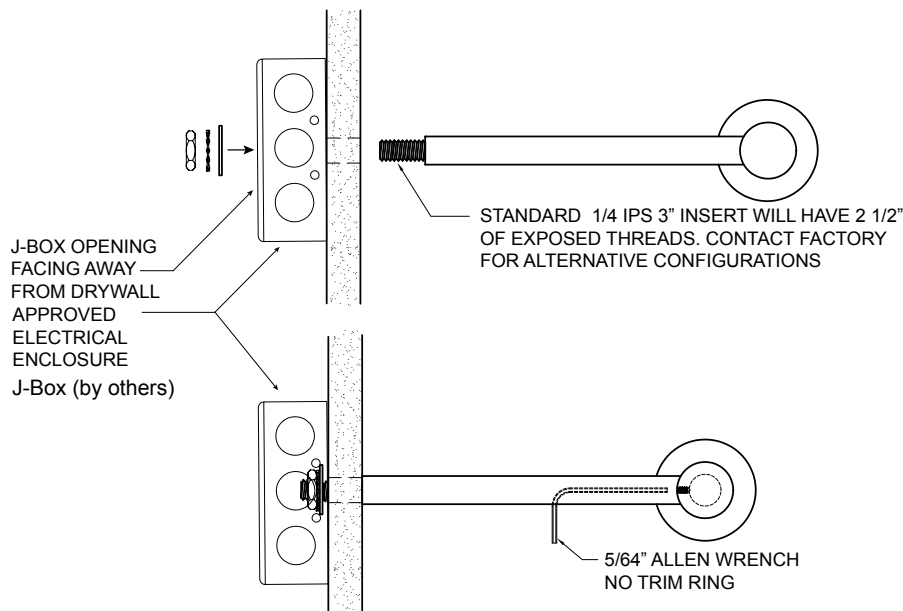
Note: To be installed by a qualified electrician per N.E.C. and all local codes.

All RAS
V-0714

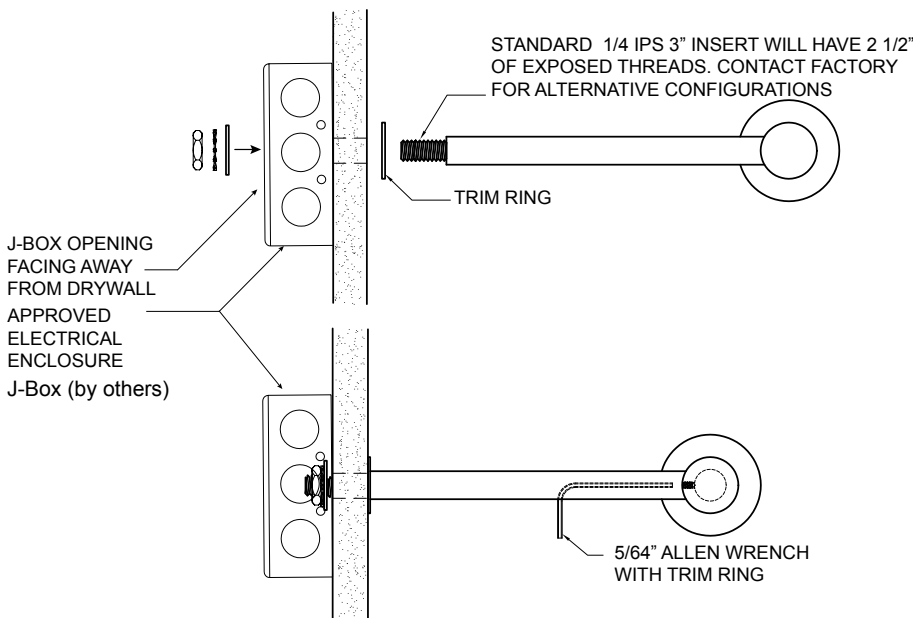
INSTRUCTION SHEET

RAS-NMP / 1TR

No Trim Option



Trim Ring Option



1. Align fixture arms and tighten set screws (ensure rotation is possible, arms can be adjusted to where the fixture cannot rotate).
2. Drill 33/64" or 17/32" holes in mounting surface. Reference "Fixture Spacing" worksheet for spacing information.
3. Approved electrical enclosure must be installed on the back side of the mounting surface.
4. If using trim ring, slide one over each threaded nipple.
5. Install fixture - insert adjustable threaded ends through drilled holes.
6. Slide on flat washer and star washer.
7. Securely tighten with nuts on each arm
8. Run wires via supplied coupler and 3/8" flexible conduit fittings. to J-Box (by others) or power supply housing and complete wire make-up per supplied wiring diagram.
9. Use 5/64" Allen wrench to loosen fixture at arm knuckles.
10. Adjust fixture as desired and tighten set screws to secure in place. Set screw may be left loose for adjustment if desired.

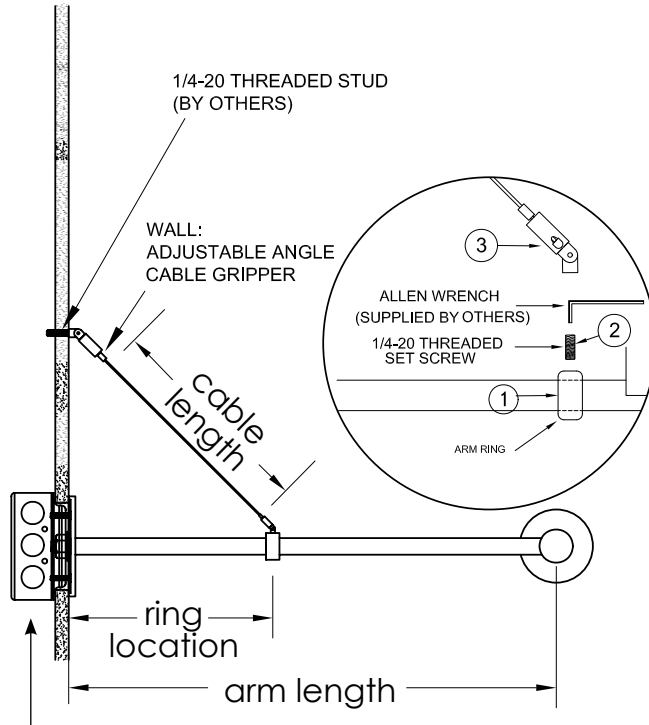
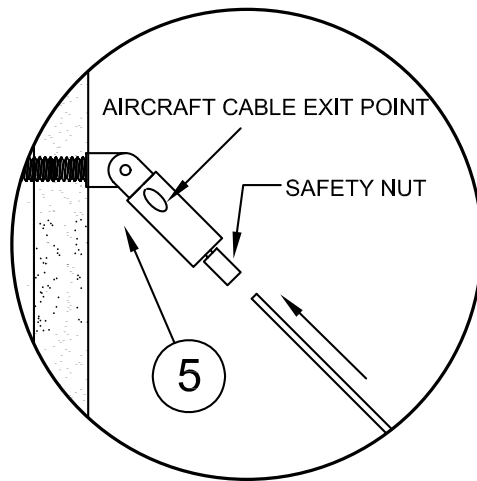
Note: To be installed by a qualified electrician per N.E.C. and all local codes.

820-00050

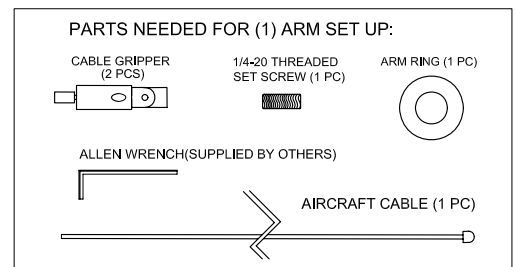
V-0714

INSTRUCTION SHEET

RAS-TB - Cable Tie Back Option



1. During fixture installation, attach arm ring to desired position. Should be set to at the middle of arm to be most effective.
2. Attach 1/4-20 threaded set screw to secure arm ring to arm and thread on cable gripper to set screw.
3. Cut off die-cast end stop on aircraft cable, being careful not to fray ends. Feed aircraft cable into gripper, attach to arm ring.
4. Attach cable gripper to 1/4-10 stud at wall to same distance that ring is set at, to create a 45 degree angle.
5. Feed aircraft cable through the safety nut to desired length (cut extra cable if necessary)



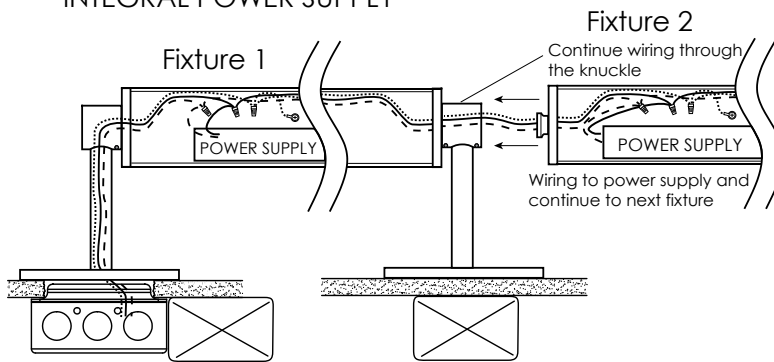
Note: To be installed by a qualified electrician per N.E.C. and all local codes.

820-00051
V-0714

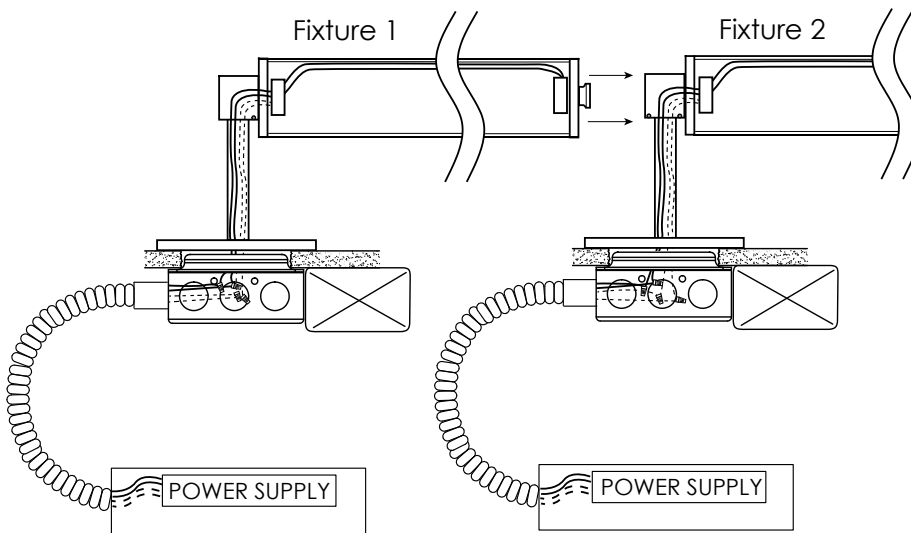
INSTRUCTION SHEET

Connection and Wiring

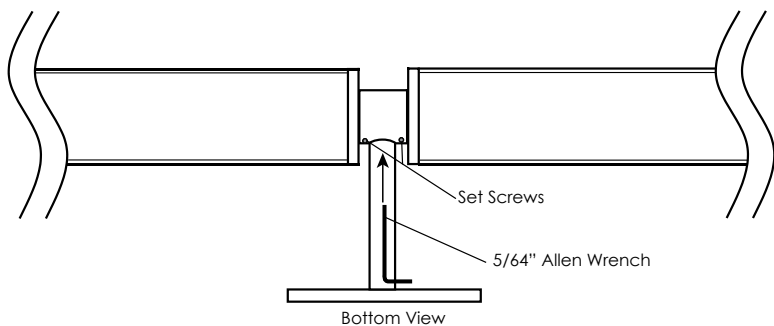
(A) INTEGRAL POWER SUPPLY



(B) REMOTE POWER SUPPLY



(C)



1. Install J-Box (by others) with Mud Ring (provided by contractor).
2. Slide cover plates over arms, slide threads through mounting plate, star washer and flat washer, securely tighten with nut - make sure mounting holes align with mud ring holes.
3. Complete wire make-up per code to J-Box or power supply housing and complete wire make-up per supplied wiring diagram.
4. Securely mount fixture to wall with provided 8-32 flat undercut head screws (*Hex head screws provided for short arm applications, Allen wrench not provided*).
5. Slide cover plate over mounting plate (magnets with pull cover plate tight against wall).
6. Through wire out of 1st fixture, through the knuckle into the second fixture and connect the power to the power supply. (A)
7. Connect 2nd fixture into knuckle, tighten set screw to lock into place. (A & B)
8. To rotate and aim fixture into desired position, use allen wrench to loosen fixture at arm knuckles (C) Lock fixture into place tighten set-screw. Set screw may be left loose for adjustment if desired.

Note: To be installed by a qualified electrician per N.E.C. and all local codes.

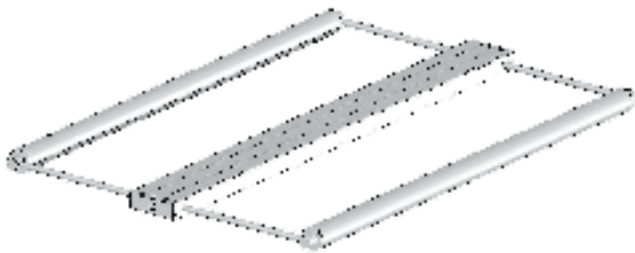
ALL HAILEY RAS
V-0714

INSTRUCTION SHEET

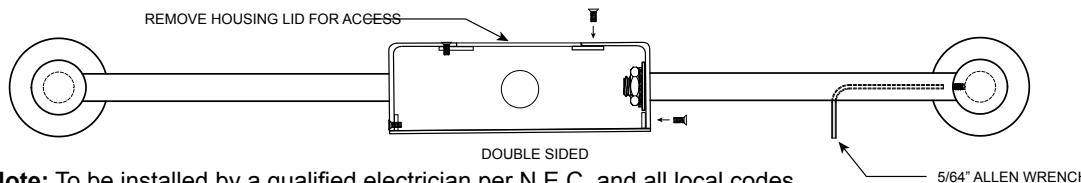
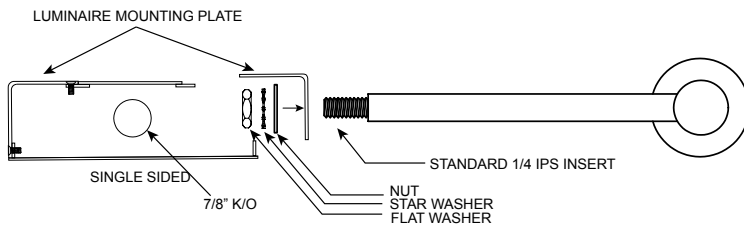
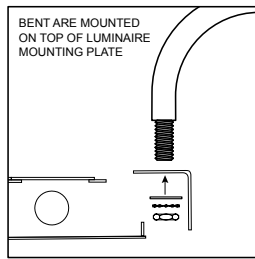
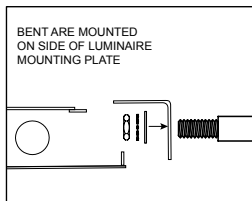
STK1 or STK2 Mounting Option



STK1 - BA
SINGLE BENT ARMS



STK2 - SA
DOUBLE STRAIGHT ARMS



1. Mount stack housing to stack or mounting surface via fasteners by others. (4) mounting holes are .188" diameter and are 1-1/2" from end of stack housing and 1-3/4" from stack housing center line.
2. Remove stack housing's luminaire mounting plate. Attach arms to luminaire by threading them into knuckles of fixture. Mount luminaire to mounting plate by pushing the threaded end of arm through mounting plate hole and secure with provided star washer, flat washer, and nut.
3. Mount Stack housing's luminaire mounting plate to housing with provided under cut 8/32" machine screws.
4. Remove center housing lid, bring power in through 7/8" KO on either end of housing, wire power in to power supply, and wire fixture to load side of power supply via appropriate wiring diagram provided with fixture.
5. Replace housing lid.
6. To install adjacent fixtures for Continuous run, follow steps 1-5 above for the additional fixtures in run.
7. Use 5/64" Allen wrench to loosen set screw on arm knuckles to adjust fixture rotation.
8. Adjust fixture as desired and tighten set screws to secure in place. Set screw may be left loose for continual adjustment, if desired.

LENGTH	POSITION	OAL
4'	SA / ST	53"
4'	MD / EN	50"
3'	SA / ST	41"
3'	MD / EN	38"
2'	SA / ST	29"
2'	MD / EN	26"

SA = STAND ALONE
ST = STARTER
MD = MIDDLE
EN = END

Note: To be installed by a qualified electrician per N.E.C. and all local codes.