

Recessed Lighting Made Simple

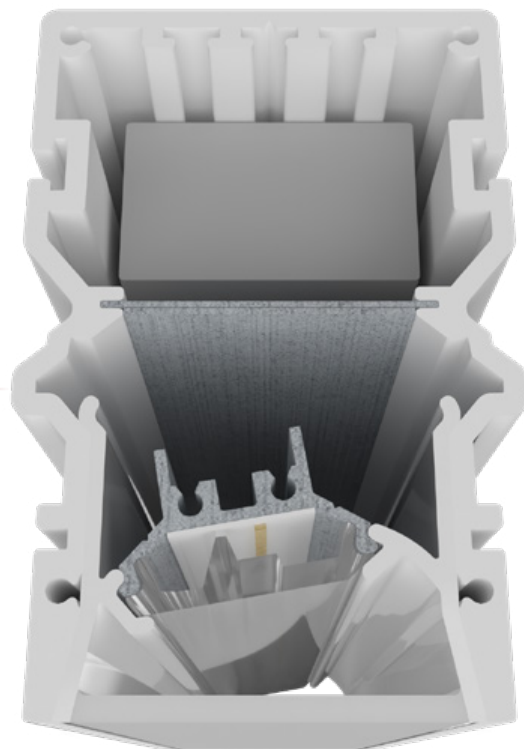
1.65-inch Recessed Linear





Recessed Lighting Made Simple

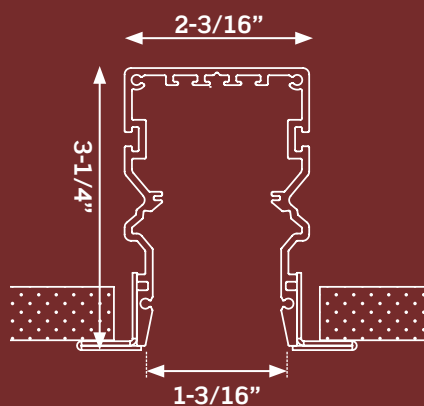
The BW165 by Birchwood Lighting sets a new standard in linear architectural illumination with its intuitive specification, improved installation, and ease of service, all within a 1.65" wide platform. This specification-friendly, no compromise solution is ideal for recessed straight runs, shapes, walls, and wet location covered canopy applications.



Smart Design

Powered by Birchwood's modular extrusions and high-performance LED system, featuring innovative swappable mounting hardware and trim configurations.

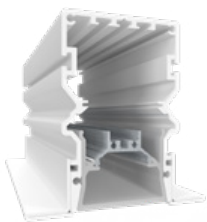
- **Specifiable to the inch** with a tool-less snap-in light engine designed for dependability and performance.
- **Ship-ahead housing** with modular design simplifies specification, shipping, and managing the product on-site.
- **Hassle-free installation** with a single-piece rigid extrusion and thoughtful features such as a swing-out driver access door.



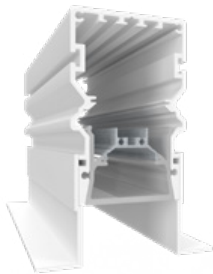


Uniform Offering

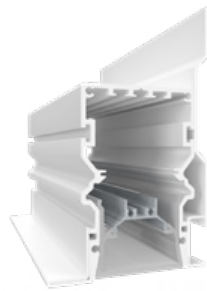
Our versatile modular system empowers you to seamlessly mix and match components, providing endless possibilities to customize and create precisely what you need for your space.



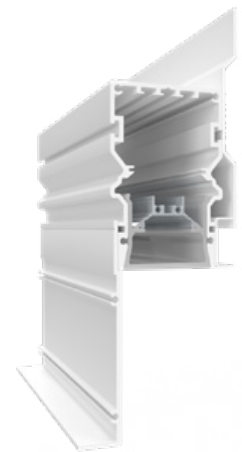
BW165RF
Recessed Flush
& Wall Wash



BW165R1
1in Regressed



BW165PF / BW165GF
Flush Perimeter
& Wall Grazer



BW165P3 / BW165G3
3in Regressed Perimeter &
Wall Grazer

The BW Standard

200 to 1000
Lumens Per Foot
(Custom Outputs
Available)

90 CRI Standard
In 2700K, 3000K,
3500K & 4000K
CCT's

Multiple Dimming
Options: Phase,
DALI, 0-10V &
Lutron

Standalone
Fixture Lengths
From 24 To 96 Inch

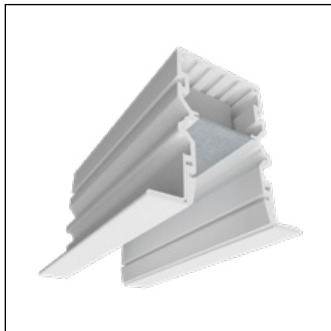
Continuous Runs
Specifiable Down
To The Inch

Custom Shapes:
Square, Rectangle
& Minters

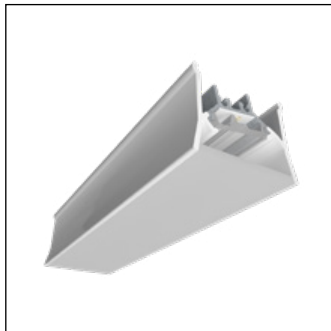


Simple To Specify, Easy To Install

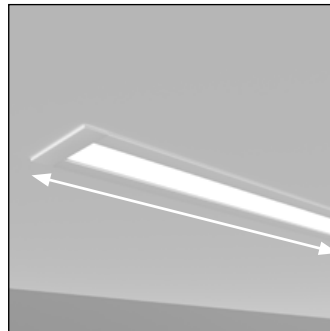
How To Specify:



Pick Your Housing & Mounting Type



Pick Your LED & Optic Type

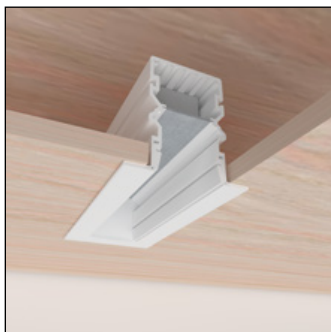


Specify Your Lengths Right Down To The Inch

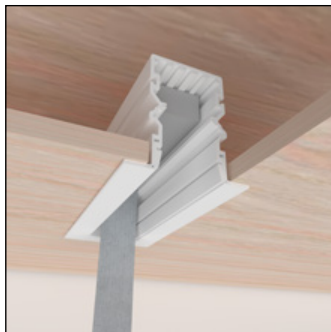


Specify Your Pre-fab Corners & Intersections

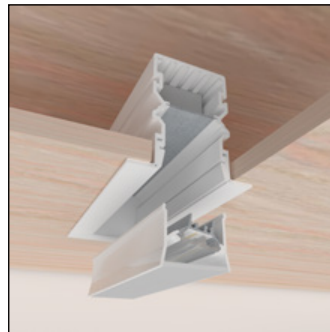
How To Install:



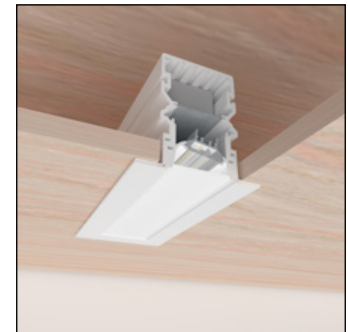
Install your housings, which can be shipped ahead of time



Make your connections via our drop down access panel



Snap in the LED module & lens assembly



Enjoy your newly installed BW165 Recessed

Versatile Mounting & Configuration

BW165 Recessed has you covered from grid to gypsum ceilings through perimeter installs, shapes and wall to ceiling transitions.



Trimmed

Trimless

T-Grid



Perimeter

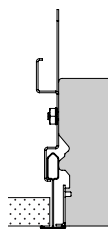
Wall to Ceiling

Custom Shapes

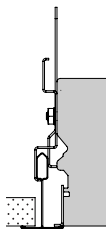


Versatile Mounting Options

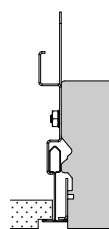
Choose from a variety of flange types to suit your specific needs, whether in the field or at specifications. It's flexible.



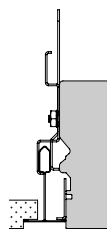
TG09
9/16 T-GRID



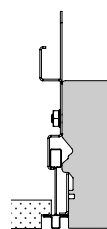
TG15
15/16 T-GRID



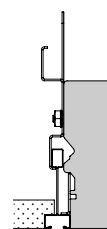
TT09
TEGULAR 9/16



TT15
TEGULAR 15/16



TI09
INTERLUDE 9/16



TS09
SLOT 9/16



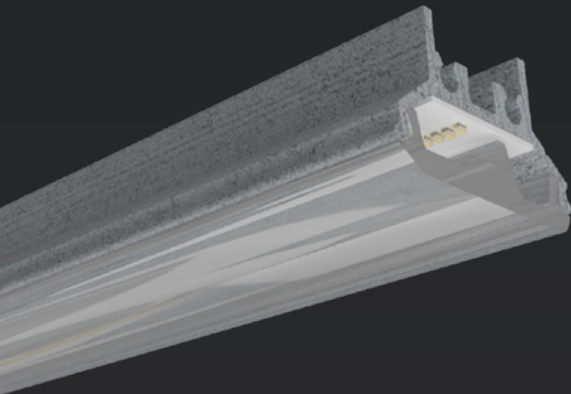
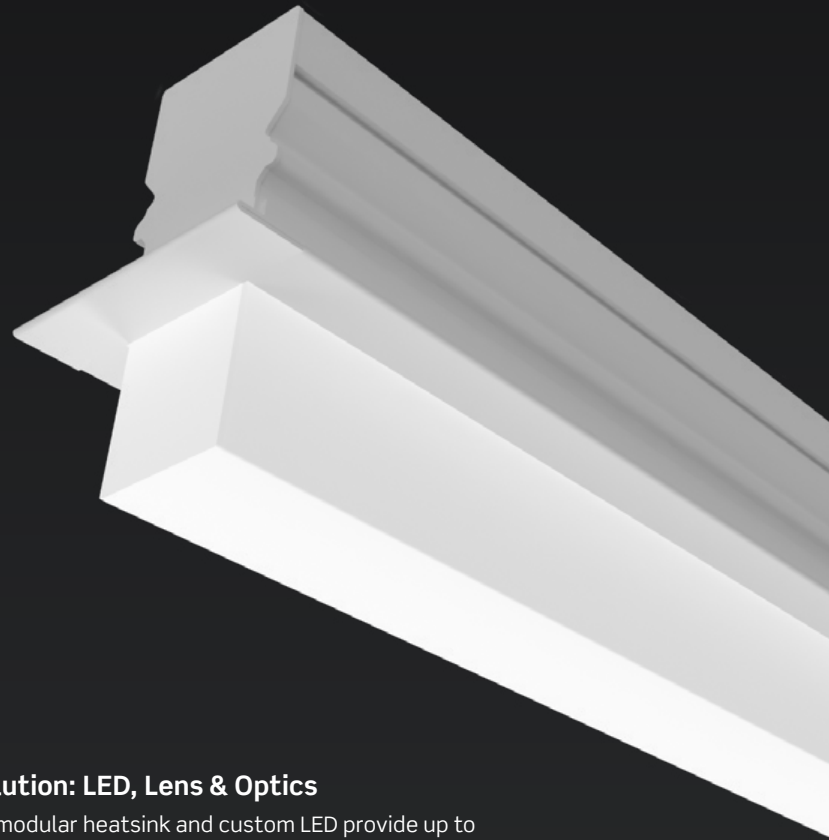
TRMW / TRFB
TRIM FLANGE



TLMI
TRIMLESS MUD-IN

Pixel Free Uniaformity

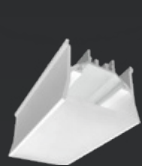
Class leading optical performance from high efficiency harmonized lensing with no pixelation to wall wash and wall graze in the same 1.65 inch aperture size



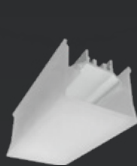
All in One Solution: LED, Lens & Optics

High-efficiency modular heatsink and custom LED provide up to 1000lm/ft with uniform illumination through custom optics and co-extruded lens. Standard 90CRI for consistent color accuracy across 2700K to 4000K. Fixtures are customizable down to the inch for precise specifications.

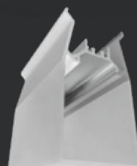
Lens & Optics Types:



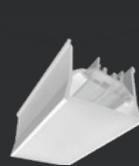
Harmonized Efficiency Lens



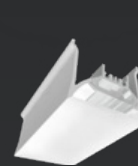
Frosted White Lens



2in Drop Lens



Asymmetric Lens



Wall Wash Lens



Wall Grazer Lens

Birchwood Lighting
3340 E. La Palma Ave.
Anaheim, CA 92806

tel 714 550-7118
fax 714 550-7151

info@birchwoodlighting.com
www.birchwoodlighting.com

A Leviton Company
www.leviton.com

Printed in the U.S.A
©2024. Birchwood Lighting, LLC. All Rights Reserved.

BL2408-BW165R