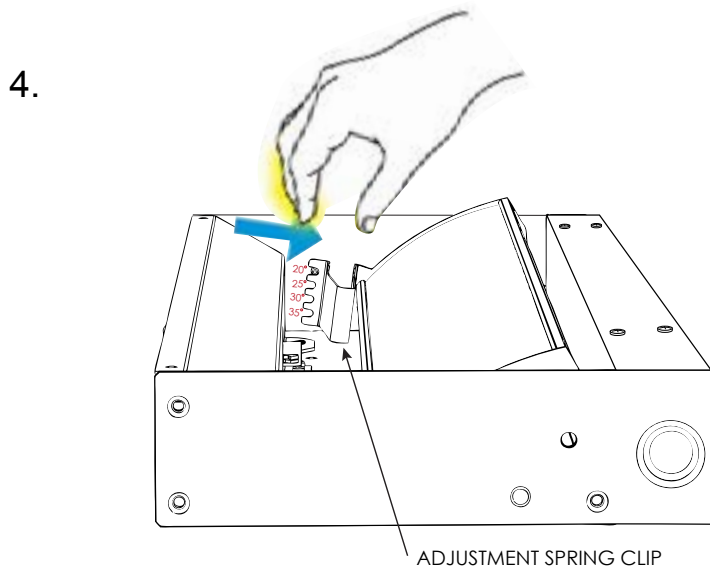
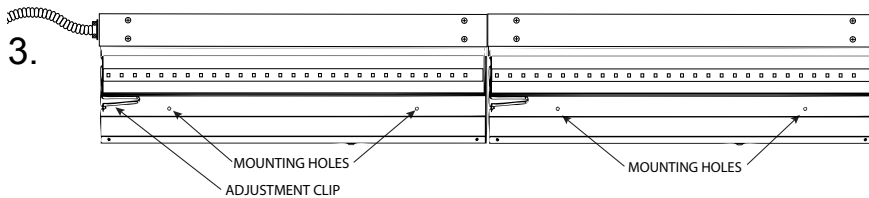
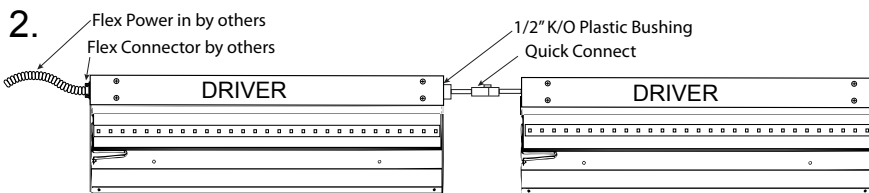
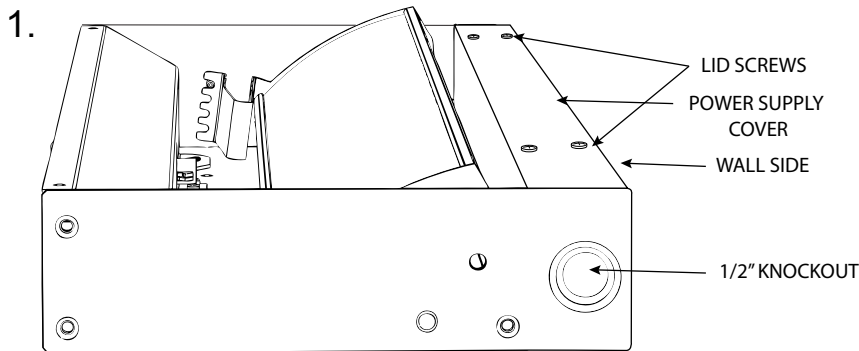


INSTRUCTION SHEET

Mounting and Wiring Installation



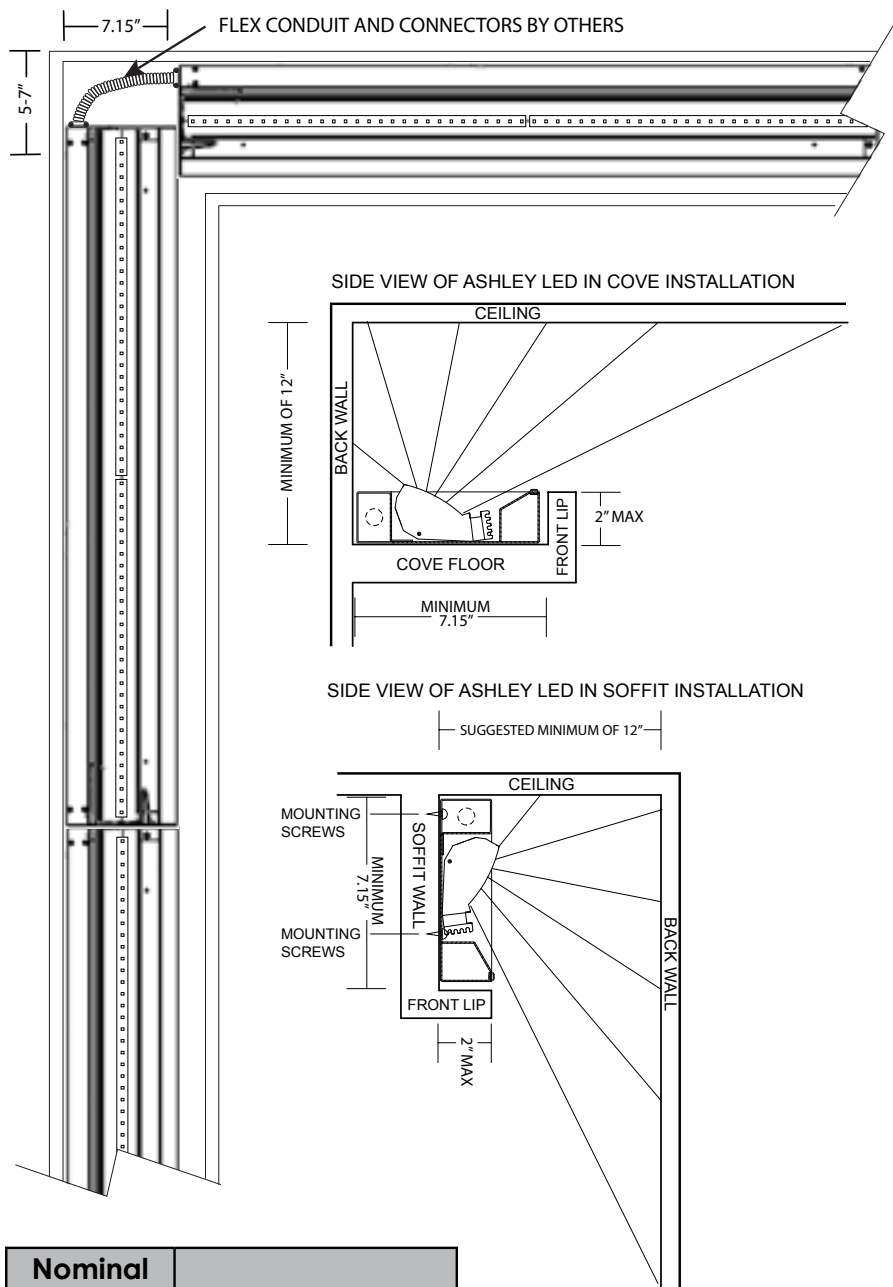
1. Remove screws on power supply lid. Remove lid to expose wiring.
2. Bring power into the first fixture of the run in conduit utilizing proper fitting to fixture. Connect fixture in run with provided QCS quick connects. The QCS has a Max 9 amp rating, do not exceed 9 amps on a continuous run. (Fig. 1)
3. Place fixtures end-to-end. Tuck QCS into knockout through bushing. For each fixture in the run ensure that the plastic bushing/chase nipple fits into knock-out of the adjacent fixture.
4. ASHLEY fixtures have mounting holes outside of the housing so that the fixture power supply compartment can be closed after all wire connections are made, and then fixture can be rigidly mounted to mounting surface. (fig. 2)
5. Once fixtures are firmly placed end-to-end, screw down the run into the cove, soffit, (or any other space the fixture is used in) to ensure that the fixture will not move.
6. Once fixture is mounted, adjust forward throw from 20 - 35 degrees with the spring adjustment clip. (fig. 3)

Note: To be installed by a qualified electrician per N.E.C. and all local codes.

820-00090
V-1114

INSTRUCTION SHEET

Effective Cove Building Guide



- 1. FIXTURE PLACEMENT:**
ASHLEY fixtures should be placed at the back of the cove. This will minimize shadows and hot spots on the wall.
- 2. FIXTURE HEIGHT:**
ASHLEY fixtures should be installed where the top of the fixture is just below the line of sight (roughly 2"). This will allow the maximum light output into the space.
- 3. END-TO-END:**
ASHLEY fixtures should be installed end-to-end without any gaps between fixtures. This will minimize shadows and hot spots, both on the wall and on the ceiling.
- 4. COVE HEIGHT**
A minimum of 12" from the cove floor to the ceiling is recommended. For soffit wall to back wall 12" is recommended. This will minimize any hot spots on the intended surface.
- 5. CORNERS**
To avoid shadows in the corners of the cove, ASHLEY fixtures should be installed over lapping for best results. 5-7"
- 6. SURFACE FINISH**
For the best results, the ceiling and inside of the cove should be finished in matte white. This will increase reflectivity and increase the overall efficiency of the lighting system. Avoid painting ceiling or back wall with a high gloss finish as this will lead to more light source images and hot spots

Nominal Length	Actual Length
	LED
2	22.5"
3	33.5"
4	44.5"

Note: To be installed by a qualified electrician per N.E.C. and all local codes.

820-00090
V-0315