

INSTRUCTION SHEET

BEFORE INSTALLING FIXTURES, IT IS IMPORTANT TO LAY OUT THE RUN (IN A CLEAN AREA) AND ESTABLISH THE INSTALLATION ORDER. EACH SEGMENT HAS ALIGNMENT PINS THAT REQUIRE SPECIFIC ORIENTATION.

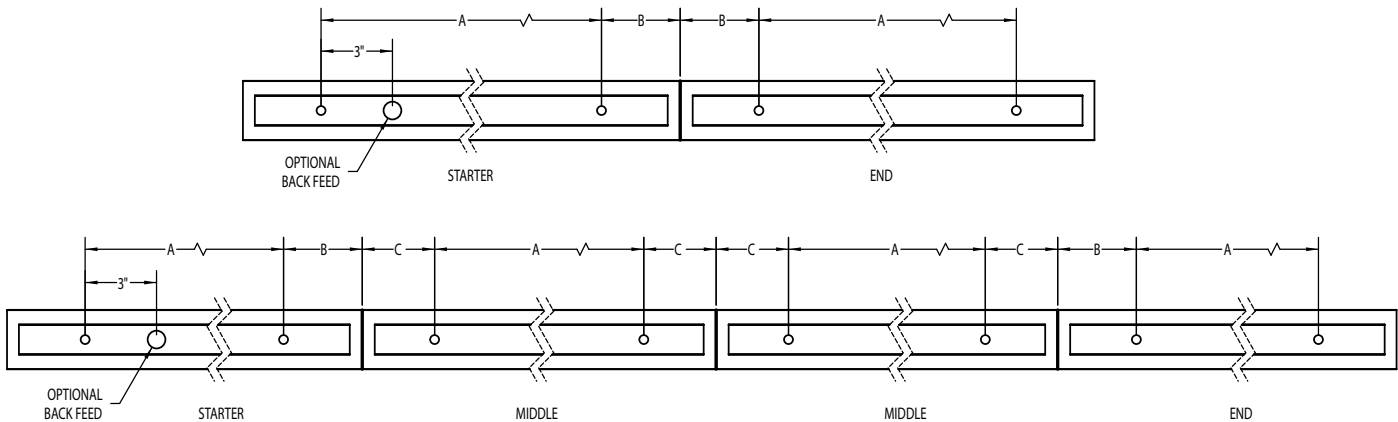


FIG. 1

LED MOUNTING CENTERS			
	A	B	C
5'	48"	6 5/16"	6 1/16"
6'	60"	6 5/16"	6 1/16"
7'	72"	6 5/16"	6 1/16"
8'	84"	6 5/16"	6 1/16"

T5 MOUNTING CENTERS			
	A	B	C
3'	24"	5 7/16"	5 1/8"
4'	36"	5 5/16"	5 1/16"

T8 MOUNTING CENTERS			
	A	B	C
3'	24"	6 5/16"	6 1/16"
4'	36"	6 5/16"	6 1/16"

1. Identify fixture segments: Starter, Middle 1, Middle 2, Middle X, End.
2. Remove endcaps from Starter and End.
3. Remove all lenses by squeezing one end of lens and pulling it away from the housing. Make note of which segment the lenses come from.
4. Remove all liners. Make note of which segment the liners come from.
5. Mark a chalk line to use as the center line of the fixture run.
6. Drill pilot holes for 1/4" mounting screws (by others). See fig. 1 and tables for mounting screw centers.
7. Ensure the supplied gaskets are attached to the housings around the mounting holes on all segments. (see figure 2)

Note: To be installed by a qualified electrician per N.E.C. and all local codes.

820-00088
V-1017

INSTRUCTION SHEET

End Feed | Continuous Run

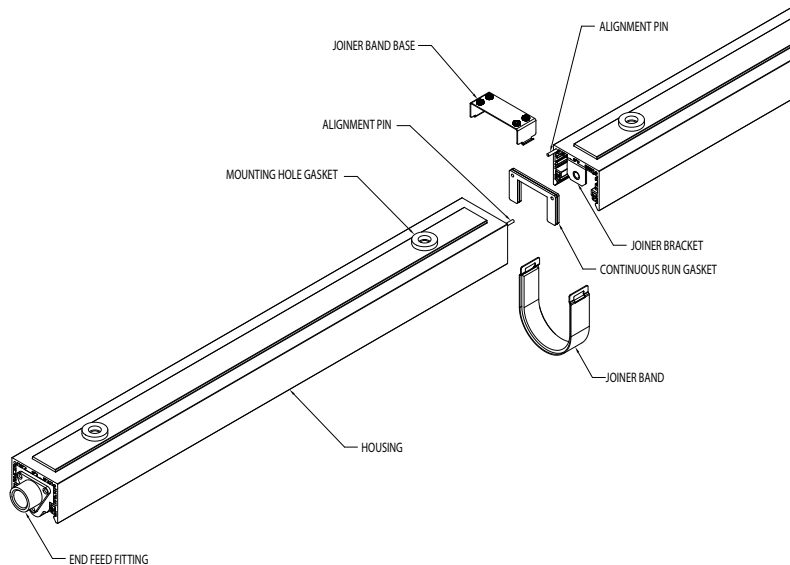


FIG. 2

8. For Starter segment equipped with back feed, pull 1/2" trade size wet location flex conduit with fitting through the mounting surface and connect to housing. Use thread sealant on fitting.
9. Apply silicone sealant around mounting holes and gaskets of starter segment. Apply silicone sealant around back feed fitting (if equipped).
10. Place Starter segment on mounting surface and install screws but do not completely tighten. Segment must be allowed to float
11. Place continuous run gasket at end of segment.
12. Place joiner band base between housing and mounting surface.
13. Apply silicone sealant around mounting holes and gaskets of next segment.
14. Attach segment and install screws but do not completely tighten.
15. Tighten captive screw on joiner bracket. Note: the captive screw can be started by hand but must be completely tightened with a screw driver.
16. Repeat steps 11 thru 15 for all segments.
17. Tighten all mounting screws. Note: ensure the joiner band base is correctly positioned in the recessed section between each segment as screws are tightened.

Note: To be installed by a qualified electrician per N.E.C. and all local codes.

820-00088
V-1017

INSTRUCTION SHEET

End Feed | Continuous Run

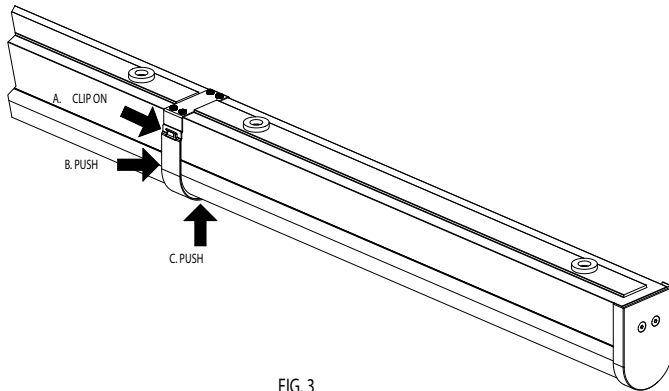


FIG. 3

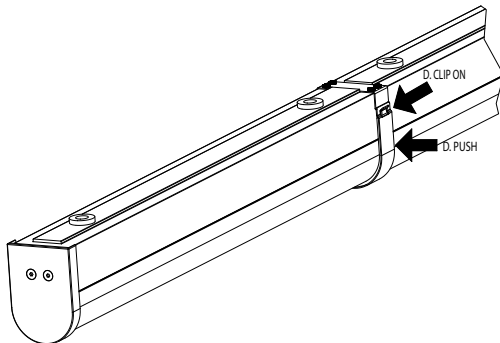


FIG. 4

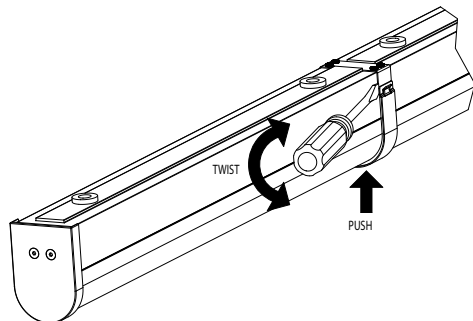


FIG. 5

18. For end feed fixture, hang endcap on end feed fitting but do not install screws. Connect 1/2" trade size wet location conduit with fitting. Use thread sealant on fitting.
19. Replace liners
20. Replace Starter and End segment lenses. Ensure that the lenses are lined up flush with the end of the housings.
21. Replace Middle segment lenses
22. Replace endcaps. Note: ensure endcap has fully compressed gasket. Tighten each screw by hand. Once gasket starts to compress, alternate tightening each screw 1/4 turn until 18 in/lbs has been achieved.
23. Install joiner band(s). See fig. 3 & 4.
 - A. Clip one side of the joiner band onto joiner band base.
 - B. Push on side (that is clipped-on) with thumb to compress gasket.
 - C. Push on adjacent side with other thumb to compress gasket.
 - D. While both thumbs continue to push sides use both index fingers to push on last side and clip in place.

To remove joiner band (if necessary), push on side opposite the base to compress gasket. Insert a flat tip screw driver between joiner band and base. Twist back and forth slightly to un-clip. See Fig. 5.

Note: To be installed by a qualified electrician per N.E.C. and all local codes.

820-00088
V-1017