

Installation Instructions

820-00161 (Rev.1)

1 of 4

For Use With BW165 Cable Suspended & Cable Suspended Continuous Run

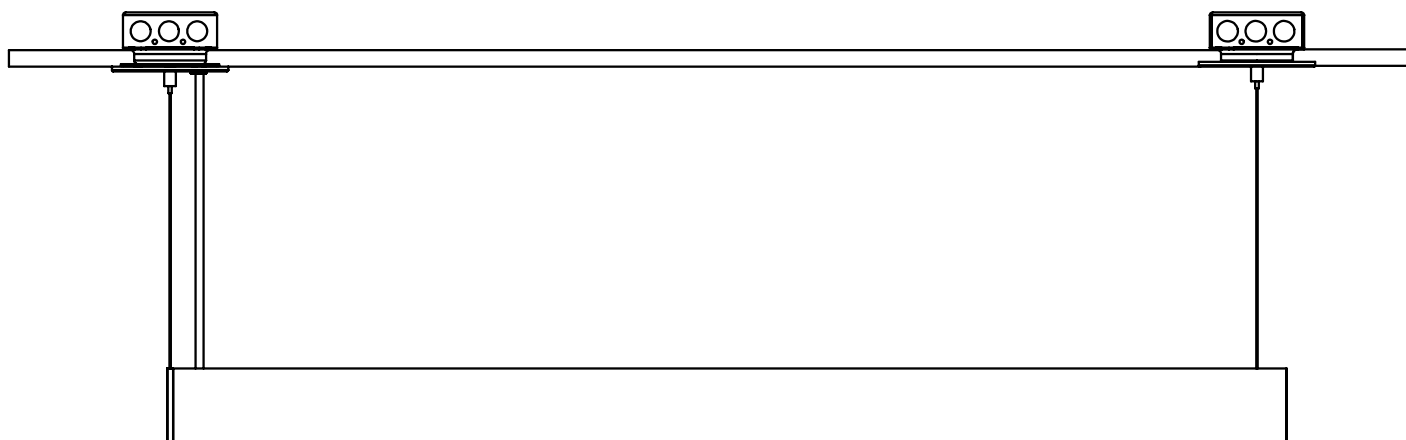
⚠ WARNING
 Risk of electrical shock. Disconnect power before servicing or installing luminaire.

⚠ WARNING
 Risk of injury or damage. Luminaire will fail if not installed properly. Follow installation instructions.

⚠ WARNING
 Risk of injury. Wear safety glasses and gloves during installation and servicing. Allow ample time to cool before handling.

IMPORTANT SAFETY INSTRUCTIONS

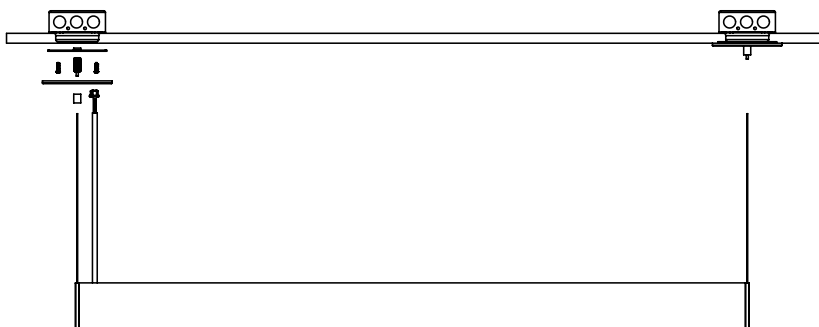
- Read all installation instructions before installing. It is important to save these instructions.
- Only install and connect LED module/boards with power disconnected at the circuit breaker. Hot plugging, or connecting the LED module/board with power on, could damage the LEDs and is not covered by warranty.
- Connectors on modules/boards and approved housings are keyed for specific voltage combinations; do not force or attempt to bypass connectors.
- Observe and follow all label information and instructions regarding dry, damp and wet location listings, proper Intense LED module, warnings of installation near combustible materials and/or insulation.
- Turn off power at circuit breaker before attempting to install or perform maintenance on the fixtures.
- Be sure to connect ground wire to prevent electric shock or other potential hazards.
- The product must be installed in a manner consistent with the intended use and in compliance with the national electrical codes and local codes by a person familiar with the construction and operation of the product and the hazards involved.
- Do not block the trim aperture as this may cause unsafe operating conditions.
- **WARNING: RISK OF FIRE.** Non-IC fixture requires that insulation must be kept at least 3" away from all sides of the fixture. Minimum of 90°C supply conductors. Consult a qualified electrician before installation.



POWER FEED / J-BOX SETUP

1. See appropriate *Stand Alone* or *Continuous Run Matrix* for correct J-box (by others) spacing. (4S J-box with 3-0 mudring or octagonal box)
2. Install J-boxes to appropriate structure.

Nominal Length	Cable Centers	Actual Length
2	23.125	23.375
3	34.25	34.5
4	45.375	45.625
6	67.625	67.875
8	89.875	90.125



1

INSTALLATION SHEET L/M-10082020 P-1

BIRCHWOOD LIGHTING | 3340 E La Palma Ave, Anaheim, CA 92806 | tel 714 550-7118 | fax 714 550-7151 | www.birchwoodlighting.com

For Birchwood Lighting's limited product warranty, go to www.birchwoodlighting.com. For a printed copy of the warranty, you may call 800 961-5321.

© 2020 Birchwood Lighting, Inc. All rights reserved. **Note:** This document is subject to change without notice.

BIRCHWOOD | a LEVITON[®]
 lighting | company

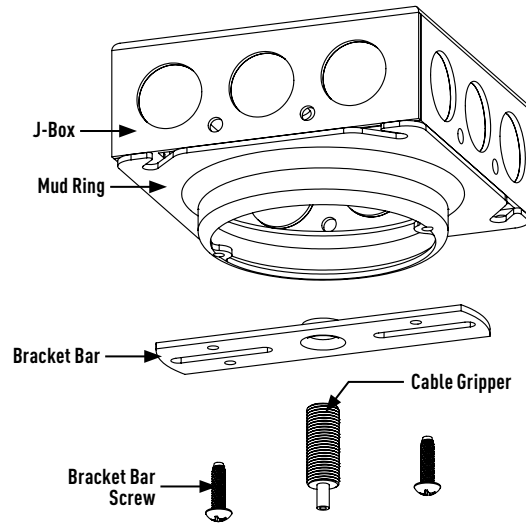
CSS-CR Installation Instructions

For Use With BW165 (Cable Suspended and Continuous Run Systems)

820-00161 (Rev.1)
2 of 4

CABLE GRIPPER INSTALL:

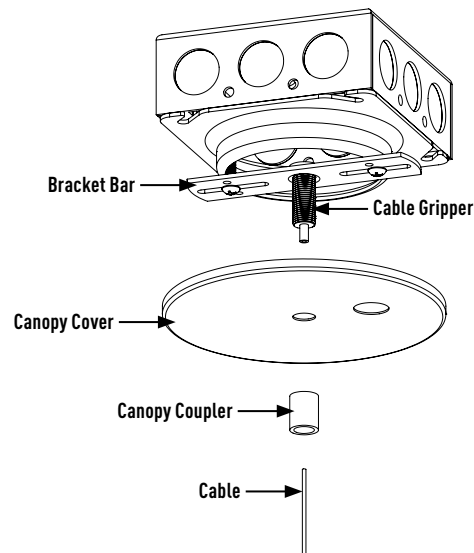
1. Secure bracket bar to mud ring or in the case of "NC" option mount 1/4"-20 stud to structure and install cable gripper.
2. Install starter fixture (aircraft cable & power feed) following 1-6 above.



2

CABLE INSTALL:

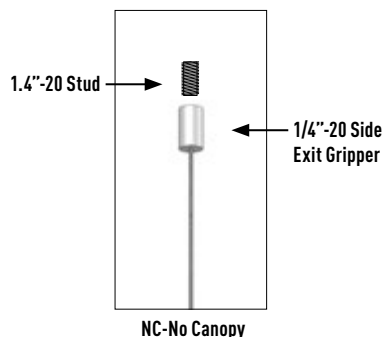
1. Insert cable end through coupler and canopy, then in to cable gripper. Adjust to desired length, then pull excess cable out of J-box and trim.



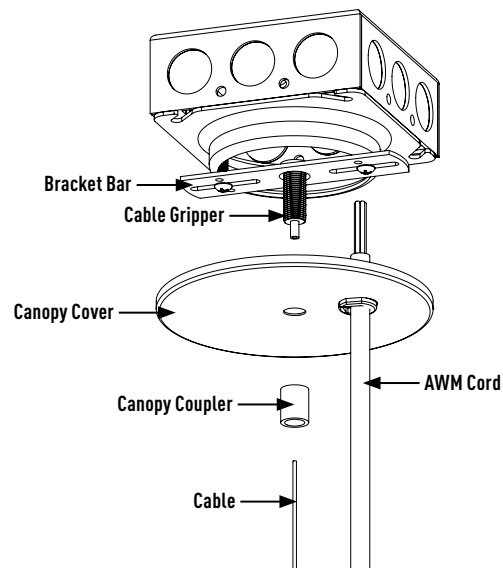
3

POWER CABLE ASSEMBLY:

1. Insert AWM cord through canopy and secure with provided strain relief
2. **Note:** For No Canopy option, AWM needs to run in to a J-Box (by others) using provided 1/2" strain relief
3. Complete wire make-up
4. Install canopy with canopy mounting coupler



NC-No Canopy



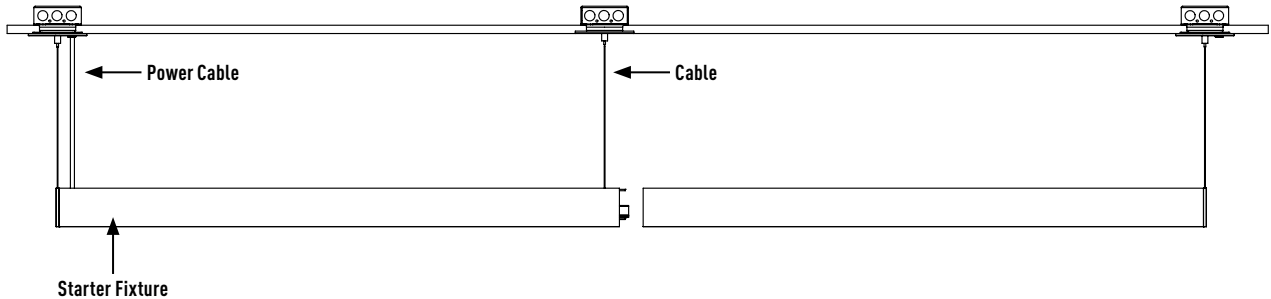
4

INSTALLATION SHEET L/M-1008/2020 P-2

LOW VOLTAGE DRIVER WIRING:

5

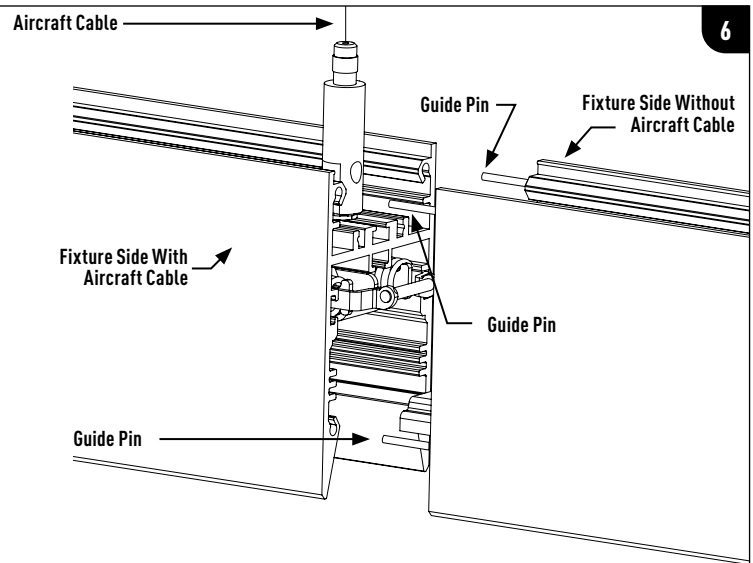
1. Install starter fixture (aircraft cable & power feed) following 1-6 above.



CONTINUOUS RUN INSTALL:

6

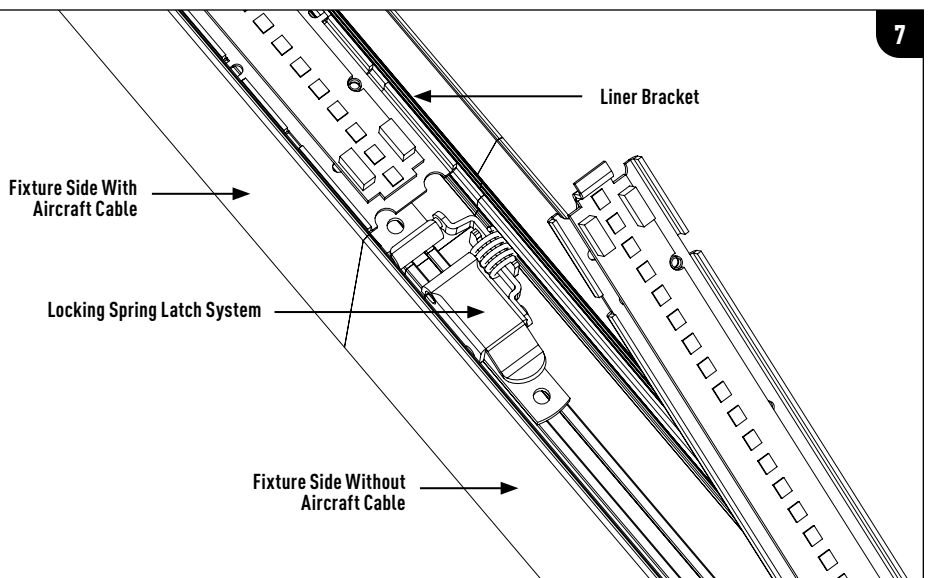
1. Remove lens of adjacent fixture.
2. Install next fixtures aircraft cable and slide open-end of fixture (side without a cable setup) into starter fixture's continuous run liner bracket (lift hinged liner) and guide pins and liner brackets into place to allow sections to slide together.



LOCKING ASSEMBLY:

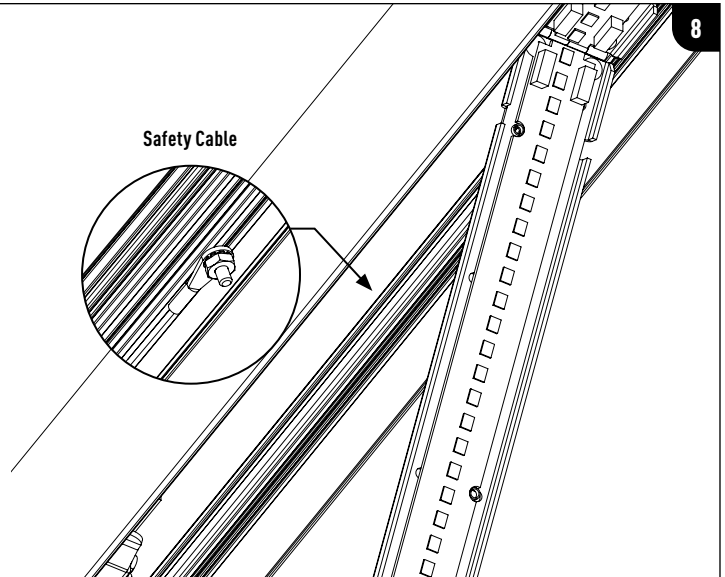
7

1. Secure by locking the spring latch from the newly attached fixture to the keeper
2. Secure safety lanyard from the previous fixture to the newly attached fixture.



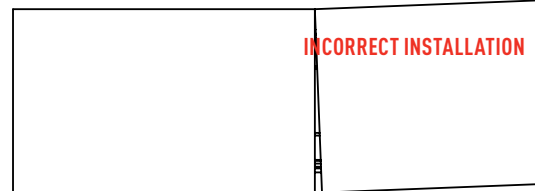
SECURE SAFETY CABLE:

1. Loosen and remove 11/32" nut and washers from stud on middle or end section.
2. Attach safety cable to stud
3. Re-install washer and nut to secure cable.



FIXTURE FITMENT CHECK:

1. Ensure fixtures are level and securely tightened to each other to avoid potential light leak between housing.
2. If fixture is not level proceed back to step 7 and check if parts are secure.
3. Push sections together to close gap. Once fixture is level, undo and re-clamp latch to help pull sections together if necessary.



POWER CABLE ASSEMBLY:

1. Make wire connections at the seam. All pre-installed thru wire QCS quick connects (if applicable) are rated for max. 9 amps. Do not exceed this rating.
2. Continue installation for all other fixtures in the row, by repeating 2-7.
3. Install all lenses or louvers. Ensure all connections are secure. (If light leak occurs near lens seam, place provided silver adhesive baffle on extrusion under the lens near the lens sides, starting from the extrusion's edge. Trim any excess material beyond lens.)

