

Installation Instructions

For Use With BW165 Wall Mount Continuous Run

820-00161 (Rev.3)
1 of 3

WARNING

Risk of electrical shock. Disconnect power before servicing or installing luminaire.

WARNING

Risk of injury or damage. Luminaire will fail if not installed properly. Follow installation instructions.

WARNING

Risk of injury. Wear safety glasses and gloves during installation and servicing. Allow ample time to cool before handling.

IMPORTANT SAFETY INSTRUCTIONS

- Read all installation instructions before installing. It is important to save these instructions.
- Only install and connect LED module/boards with power disconnected at the circuit breaker. Hot plugging, or connecting the LED module/board with power on, could damage the LEDs and is not covered by warranty.
- Connectors on modules/boards and approved housings are keyed for specific voltage combinations; do not force or attempt to bypass connectors.
- Observe and follow all label information and instructions regarding dry, damp and wet location listings, proper Intense LED module, warnings of installation near combustible materials and/or insulation.
- Turn off power at circuit breaker before attempting to install or perform maintenance on the fixtures.
- Be sure to connect ground wire to prevent electric shock or other potential hazards.
- The product must be installed in a manner consistent with the intended use and in compliance with the national electrical codes and local codes by a person familiar with the construction and operation of the product and the hazards involved.
- Do not block the trim aperture as this may cause unsafe operating conditions.
- **WARNING: RISK OF FIRE.** Non-IC fixture requires that insulation must be kept at least 3" away from all sides of the fixture. Minimum of 90°C supply conductors. Consult a qualified electrician before installation.



POWER FEED / J-BOX SETUP

1. See appropriate [Stand Alone](#) or [Continuous Run Matrix](#) for correct J-box (by others) spacing. (4S J-box with 3-0 mud ring or octagonal box)
2. Install J-boxes to appropriate structure.



1

Installation Instructions

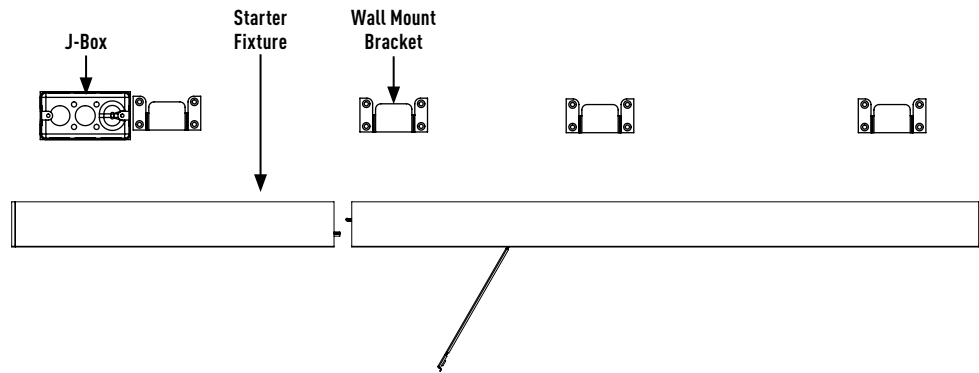
For Use With BW165 Wall Mount Continuous Run

LOW VOLTAGE DRIVER WIRING:

5

1. Install starter fixture (aircraft cable & power feed) following 1-6 above.

Nominal Fixture Length	Actual Length	Bracket Spacing (X)
2	22.875"	10.875"
3	34"	22"
4	45.125"	33.125"
6	67.375"	55.375"
8	89.625"	77.625"

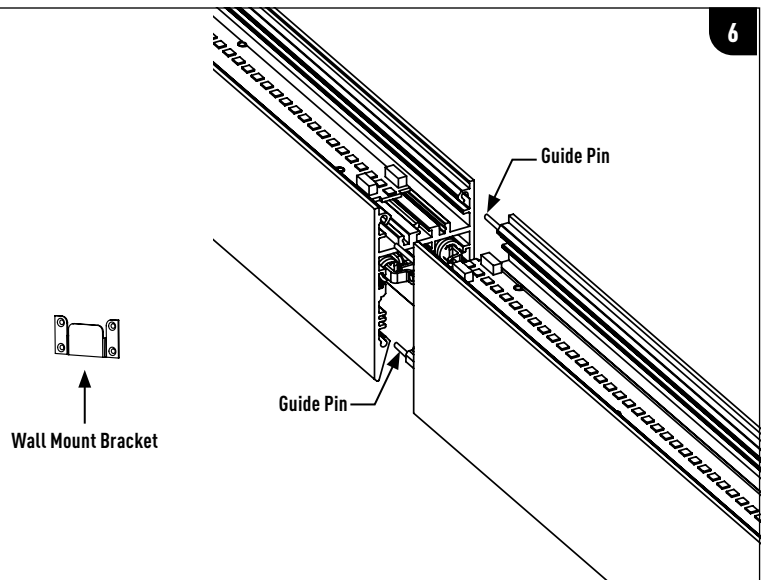
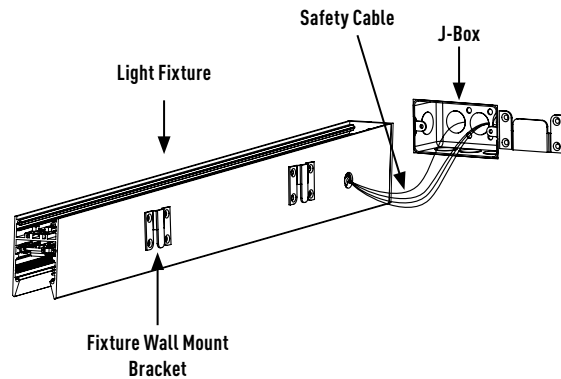


CONTINUOUS RUN INSTALL:

6

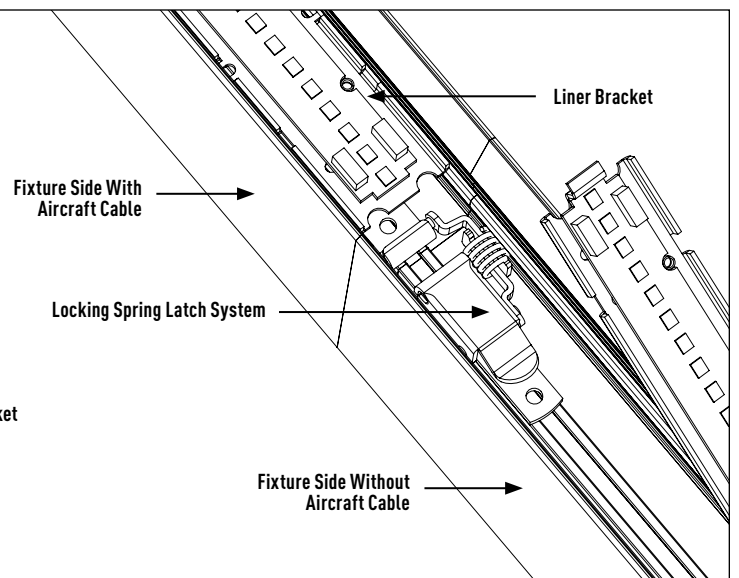
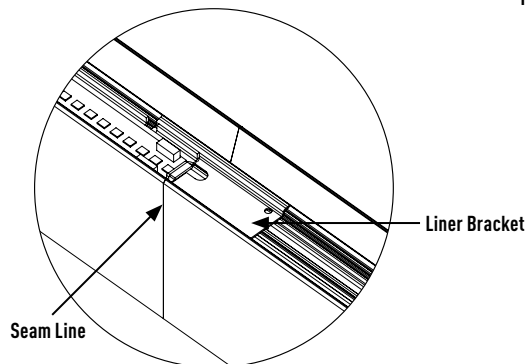
1. Make wire connections using wire nuts.
2. Install safety cable and nut

Note: Completely tighten nut and back off 1/4 turn. Safety cable must be free to swivel



LOCKING ASSEMBLY:

1. Secure by locking the spring latch from the newly attached fixture to the keeper
2. Slide liner bracket over to center of seam
3. Secure safety lanyard from the previous fixture to the newly attached fixture.



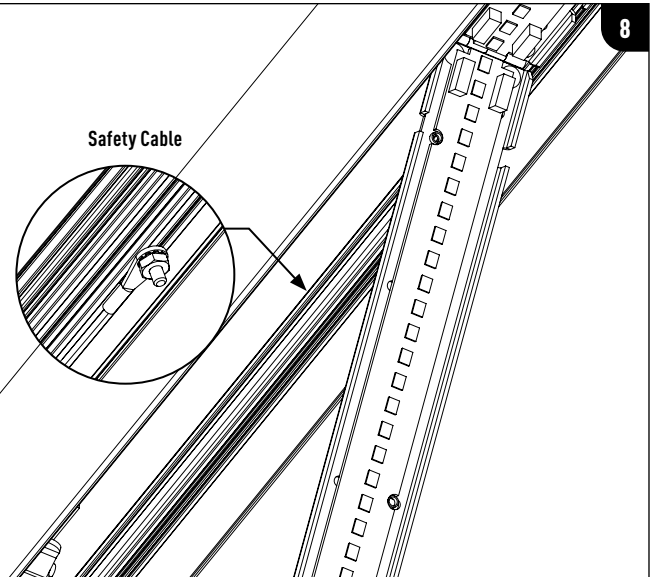
Installation Instructions

For Use With BW165 Wall Mount Continuous Run

820-00161 (Rev.3)
3 of 3

SECURE SAFETY CABLE:

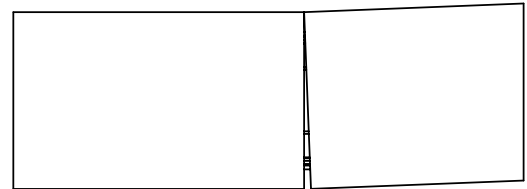
1. Loosen and remove 11/32" nut and washers from stud on middle or end section.
2. Attach safety cable to stud
3. Re-install washer and nut to secure cable.



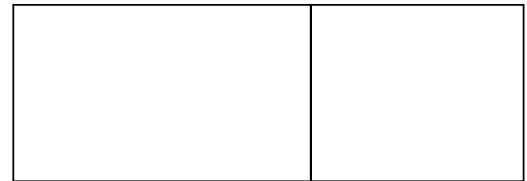
FIXTURE FITMENT CHECK:

1. Ensure fixtures are level and securely tightened to each other to avoid potential light leak between housing.
2. If fixture is not level proceed back to step 7 and check if parts are secure.
3. Push sections together to close gap. Once fixture is level, undo and re-clamp latch to help pull sections together if necessary.

INCORRECT INSTALLATION



CORRECT INSTALLATION



POWER CABLE ASSEMBLY:

1. Make wire connections at the seam. All pre-installed thru wire QCS quick connects (if applicable) are rated for max. 9 amps. Do not exceed this rating.
2. Continue installation for all other fixtures in the row, by repeating 2-7.
3. Install all lenses or louvers. Ensure all connections are secure. (If light leak occurs near lens seam, place provided silver adhesive baffle on extrusion under the lens near the lens sides, starting from the extrusion's edge. Trim any excess material beyond lens.)

