

# Installation Instructions

For Use With BWA250 w/ Cable Suspended System

BL-IS1001 (Rev.1)  
1 of 4

## ⚠ WARNING

Risk of electrical shock. Disconnect power before servicing or installing luminaire.

## ⚠ WARNING

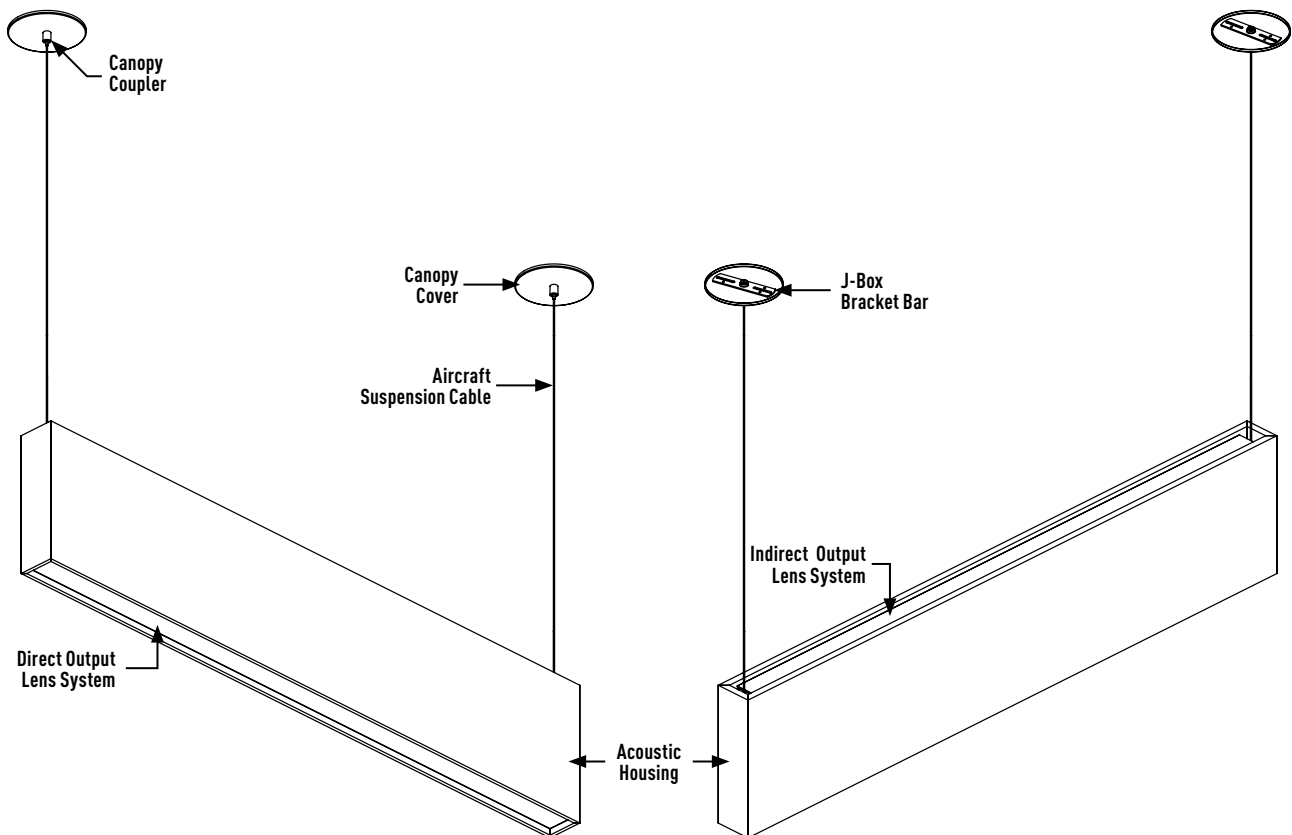
Risk of injury or damage. Luminaire will fail if not installed properly. Follow installation instructions.

## ⚠ WARNING

Risk of injury. Wear safety glasses and gloves during installation and servicing. Allow ample time to cool before handling.

## IMPORTANT SAFETY INSTRUCTIONS

- Read all installation instructions before installing. It is important to save these instructions.
- Only install and connect LED module/boards with power disconnected at the circuit breaker. Hot plugging, or connecting the LED module/board with power on, could damage the LEDs and is not covered by warranty.
- Connectors on modules/boards and approved housings are keyed for specific voltage combinations; do not force or attempt to bypass connectors.
- Observe and follow all label information and instructions regarding dry, damp and wet location listings, proper Intense LED module, warnings of installation near combustible materials and/or insulation.
- Turn off power at circuit breaker before attempting to install or perform maintenance on the fixtures.
- Be sure to connect ground wire to prevent electric shock or other potential hazards.
- The product must be installed in a manner consistent with the intended use and in compliance with the national electrical codes and local codes by a person familiar with the construction and operation of the product and the hazards involved.
- Do not block the trim aperture as this may cause unsafe operating conditions.
- **WARNING: RISK OF FIRE.** Non-IC fixture requires that insulation must be kept at least 3" away from all sides of the fixture. Minimum of 90°C supply conductors. Consult a qualified electrician before installation.



# Installation Instructions

For Use With BWA250 w/ Cable Suspended System

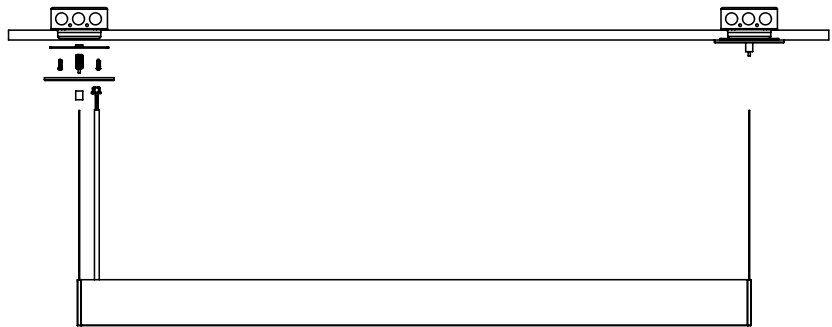
BL-IS1001 (Rev.1)  
2 of 4

## Powerfeed & Canopy Setup:

### POWER FEED / J-BOX SETUP

1. See appropriate Stand Alone or Continuous Run Matrix for correct J-box (by others) spacing. (4S J-box with 3-0 mud ring or octagonal box)
2. Install J-boxes to appropriate structure.

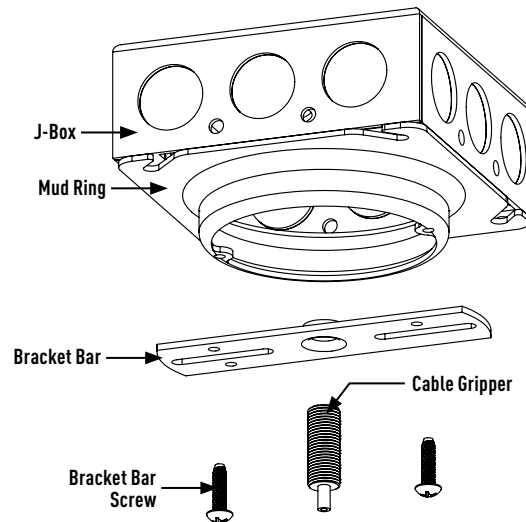
Nominal Length	Length	Overall (in)		CSS Mounting Centers (in)
		Width	Height	
4ft	47.00	2.65	10	45.5625
6ft	69.25			67.8125
8ft	91.50			90.0625



1

### CABLE GRIPPER INSTALL:

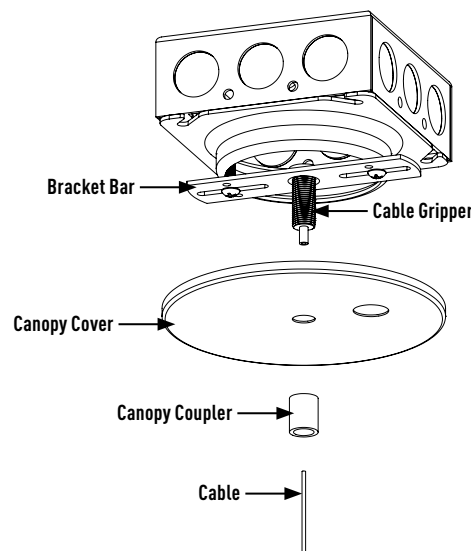
1. Attach the bracket bar to the mud ring, or in the case of the "NC" option, mount the 1/4-20 stud to the structure and install the cable gripper.



2

### CABLE INSTALL:

1. Pass the cable end through the coupler and canopy before inserting it into the cable gripper. Pull excess cable out of J-box and trim to desired length.



3

INSTALLATION SHEET L/M-01032023 P-2

# Installation Instructions

For Use With BWA250 w/ Cable Suspended System

BL-IS1001 (Rev.1)  
3 of 4

## Powerfeed & Canopy Setup (Contuned):

### POWER CABLE ASSEMBLY:

1. Insert Power cord through canopy and secure with provided strain relief
2. Note: For No Canopy option, Power needs to run in to a J-Box (by others) using provided 1/2" strain relief
3. Complete wire make-up
4. Install canopy with canopy mounting coupler

