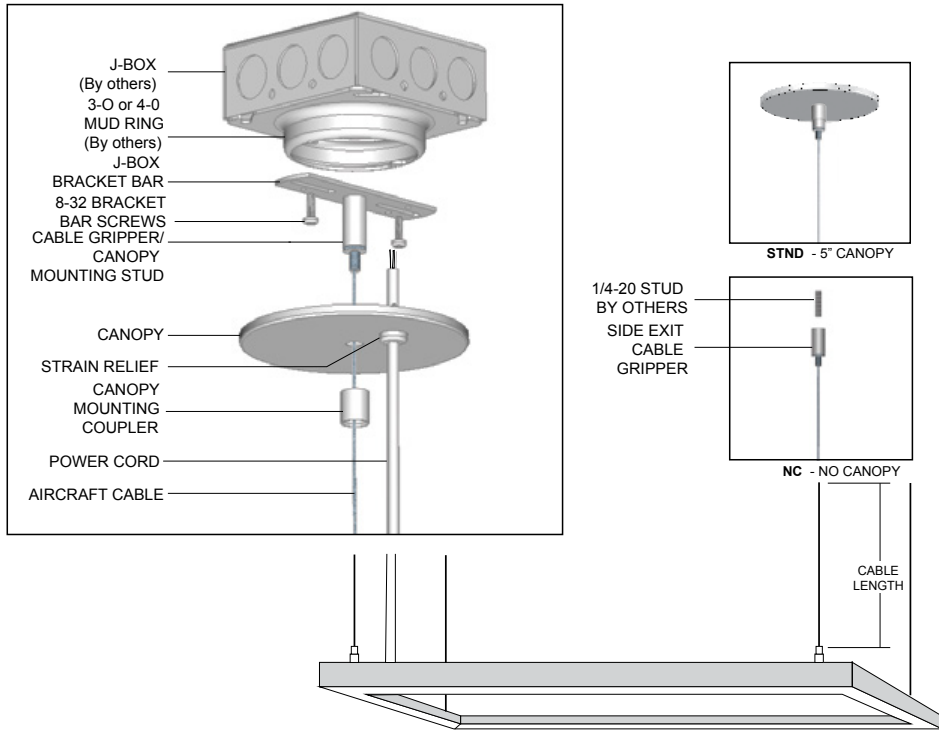


INSTRUCTION SHEET

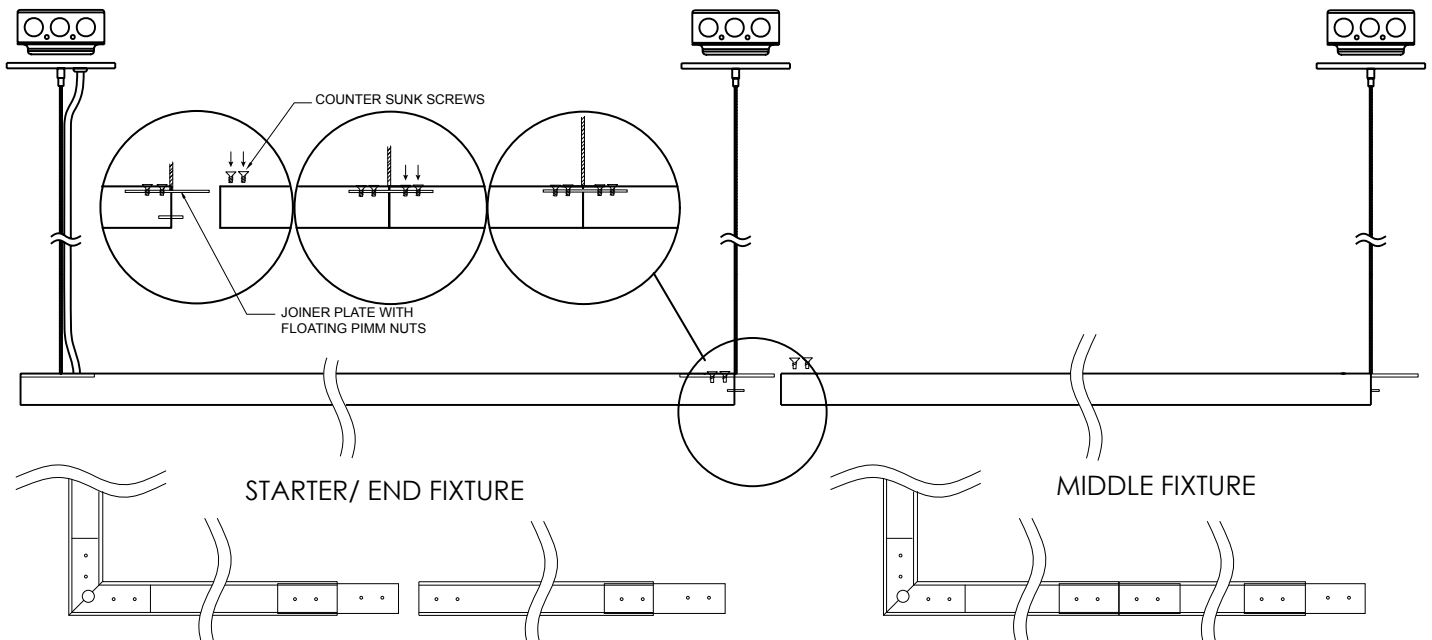
CSS - Cable Suspended



1. See appropriate Stand Alone or Continuous Run Matrix for correct J-Box (by others) spacing.
2. Secure bracket bar to mud ring or in the case of "NC" option mount 1/4-20 stud to structure and install cable gripper.
3. Cut cables to desired length – be careful not to fray cable ends
4. Insert cable into gripper ends and adjust to desired length
5. Insert AWM cord through canopy and secure with provided strain relief
6. Complete wire make-up
7. Install canopy with canopy mounting coupler

Continuous Run Info

1. Install starter fixture (aircraft cable & power feed) following 1-6 above.
2. Remove lens and liner of adjacent fixture
3. Install next fixtures aircraft cable and slide open end of fixture (side without a cable setup) into starter fixture's continuous run joiner plate and alignment guide pins.
4. Secure with supplied counter sink screws on joiner plate
5. Ensure fixtures are level and securely tightened to each other to avoid potential light leak between housing.
6. Continue installation for all other fixtures in the row, by repeating 2-7.
7. Replace all liners, install lamps (if fluorescent), install all lenses or louvers. Ensure all connections are secure.



Note: To be installed by a qualified electrician per N.E.C. and all local codes.

820-00074

V-0115