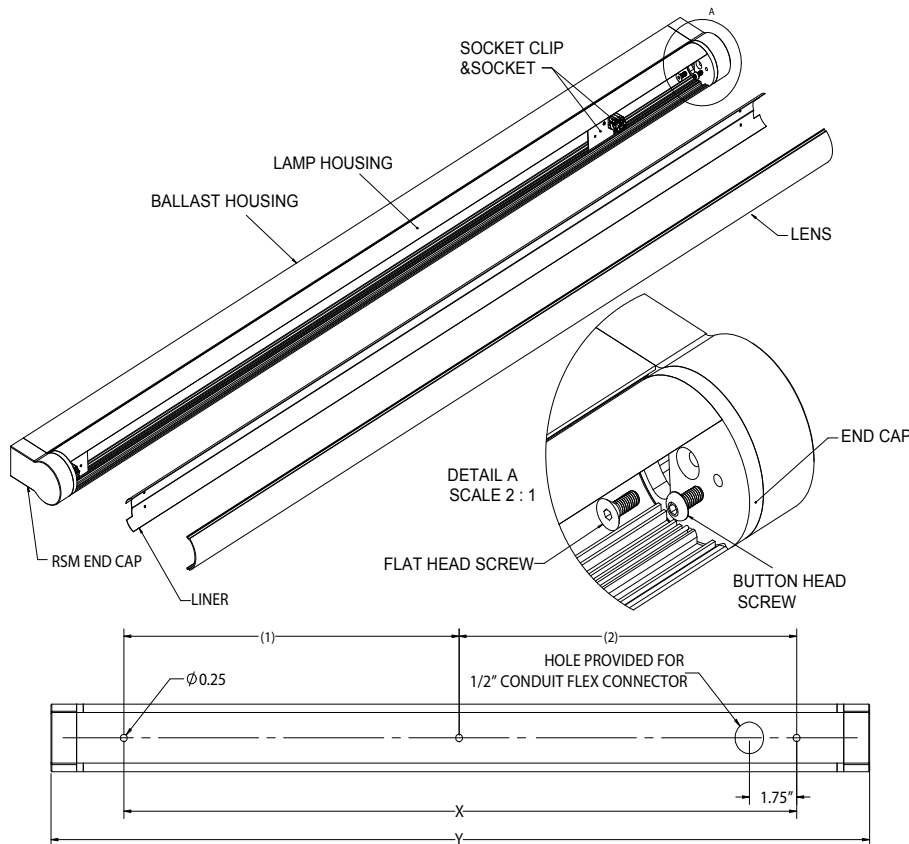


INSTRUCTION SHEET

LED | Fluorescent



1. Install single gang J-Box (by others) with Mud Ring (provided by contractor). Mount in same orientation as fixture.
2. Remove lens and unscrew liner from socket clip.
3. Slide socket clip and socket to allow room to remove screws from end cap.
4. Remove button head screw and flat head screw using allen wrench.
5. Remove end cap then remove lamp housing and disconnect quick disconnects.
6. Connect 1/2 flex connector (provided by others) to back of housing.
7. Install power supply housing to wall at desired location and make wire connection.
8. Assemble lamp housing to ballast housing as well as liner and lens to lamp housing.

SIZE	LAMP	X	Y	NOTES
FLUORESCENT				
2'	T5	19.813"	25.250"	
3'	T5	31.688"	37.125"	
4'	T5	43.438"	48.875"	
8'	T5	(1)44.750"+(2)44.813"	95.000"	3 MTG POINTS
2'	T8	21.438"	26.875"	
3'	T8	33.438"	38.875"	
4'	T8	45.438"	50.875"	
LED				
2'	LED	20.563"	24.063"	
3'	LED	32.188"	35.688"	
4'	LED	43.813"	47.313"	
5'	LED	55.5"	59.064"	

Note: To be installed by a qualified electrician per N.E.C. and all local codes.

820-00052
V-0115