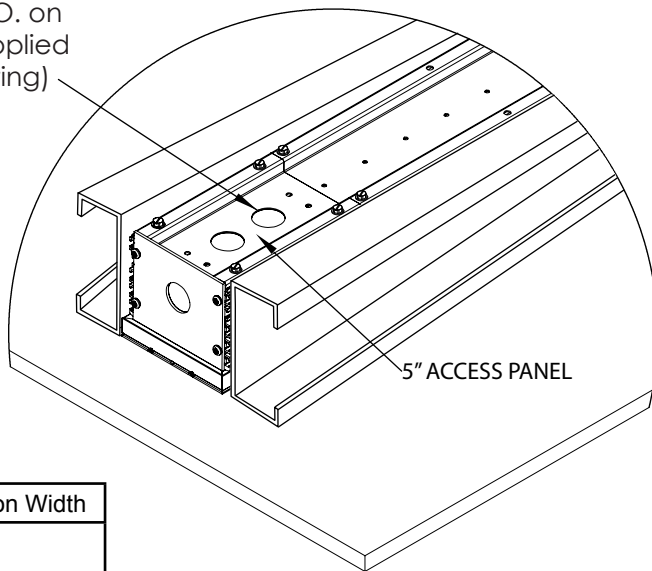


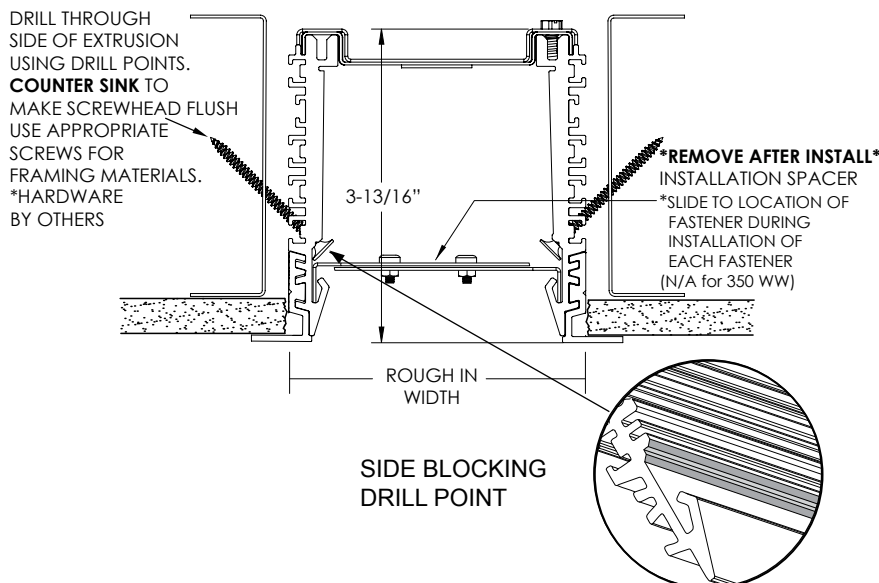
INSTRUCTION SHEET

Installation Guide

1/2" K.O. (3/8" K.O. on 165 with factory supplied 3/8" flex conduit fitting)



Rough-In Dimension Width	
Jake/Jill Fixture Size	
165	2 1/2"
225	3"
325	4"
WW-350	4 1/2"
500	5 5/8"
Rough-In Dimension Length	
*See CR matrix for lengths	



Secure fixture to structure following instructions below:

1. Standard JAKE/ JILL, Remove lens and internal reflector / LED liner and set aside in a safe location. For 350 WW remove Driver Cover and Light Bar. Bring conduit through back of fixture (via access panels) or through end-cap of first fixture (if installing in continuous rows).
2. Slide fixture through roughed opening in finished surface. Pre-drill 3/16" countersunk hole into drill point as shown in illustration. Screw heads need to be flush with surface.
3. Pay special attention to ensure screws are not over-tightened when installing fasteners and not so tight as to warp the fixture. During installation of fasteners, use the ***Installation Spacer** as a guide by sliding it down the length of fixture (between fixture and structure) to correctly align the lens opening. (N/A for 350 WW)
4. When installing continuous runs, thru-wire the fixtures using the appropriate gauge of wire. Use pinch brackets and alignment splines (installed on fixture) to join together when aligning adjacent fixtures.
5. After fixtures are secure to structure, **remove Installation Spacer**. For Standard JAKE and JILL install the internal LED tray or reflector and lamps. **Reinstall lens to ensure proper fit**. For 350 WW, reinstall light bar and driver cover.
***NOTE:** If lens is loose or does not fit, repeat Step 3 and ensure screws are not over-tightened and Installation Spacer is installed correctly.

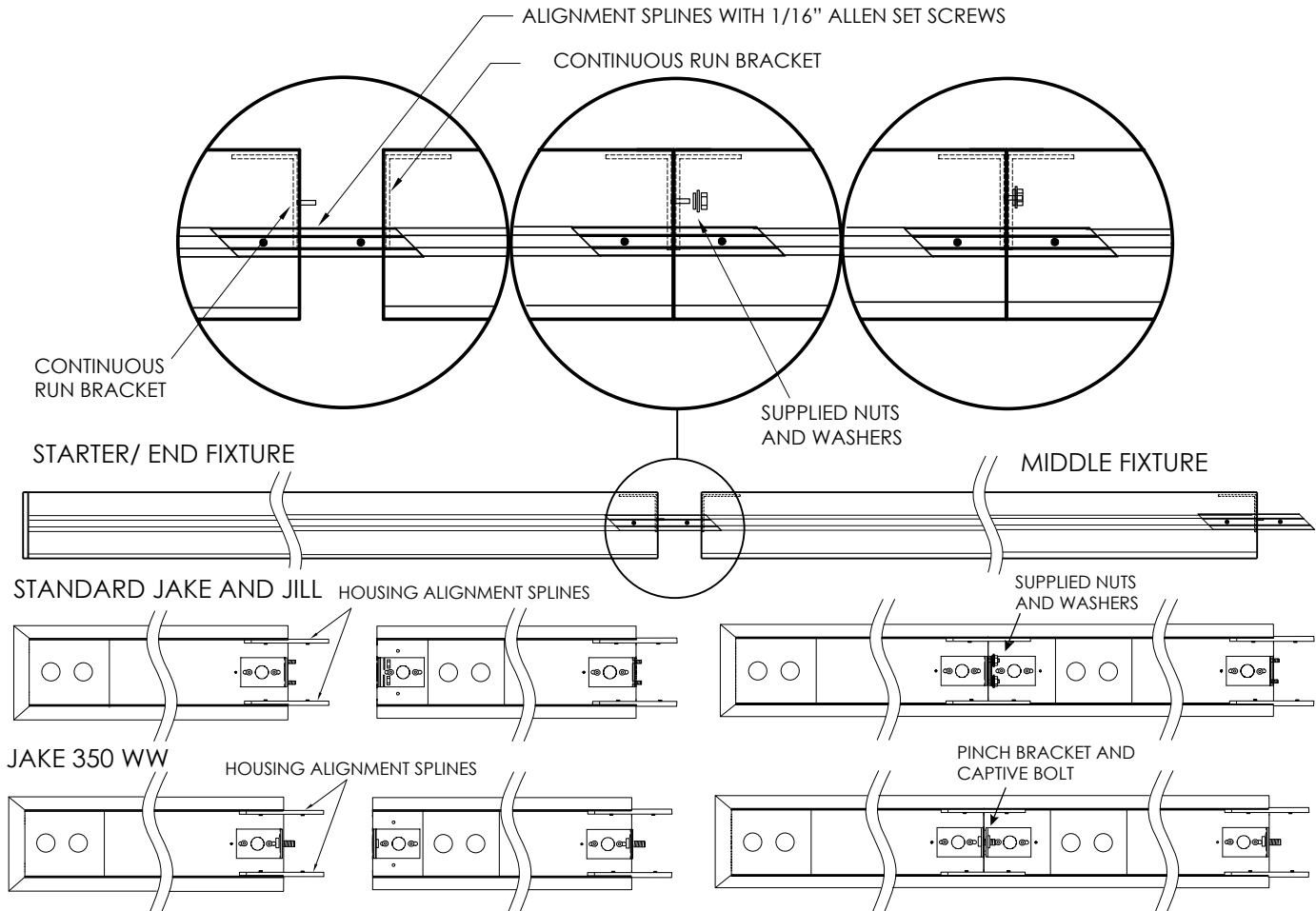
* Leave installation spacer inside fixture to prevent deformation during installation, **remove before reinstalling** liners and lamps to complete installation. **Test Fit Lens.**

Note: To be installed by a qualified electrician per N.E.C. and all local codes. Additional support to structural member may be required. Check with local building codes for requirements

820-00057
V-0417

INSTRUCTION SHEET

Installation Guide



Instructions

1. Connect power to starter fixture power supply.
2. Thru-wire to second fixture.
3. Slide open the end of the fixture over the starter fixture's continuous run housing alignment splines.
4. Standard JAKE/JILL - Line up holes on continuous run brackets. Secure with supplied #8 bolts, washers, and 11/32 nuts.
JAKE 350 WW - Line up captive bolt with threaded bracket and tighten to suck sections together.
(note: the internal "L" brackets should be set back approximately 1/16" from the edge of the fixture - tighten 1/16" allen set screws on alignment splines.)
5. Continue steps 1-4 until run is completed, (same steps apply for end fixtures).
6. Standard JAKE/ JILL Install liner/ tray.
350 WW install Light Bar and Driver cover.
7. Install lamp(s) if fluorescent
8. Install lens. (N/A in 350 WW)

Note: To be installed by a qualified electrician per N.E.C. and all local codes.
Additional support to structural member may be required. Check with local building codes for requirements

820-00115
V-0417