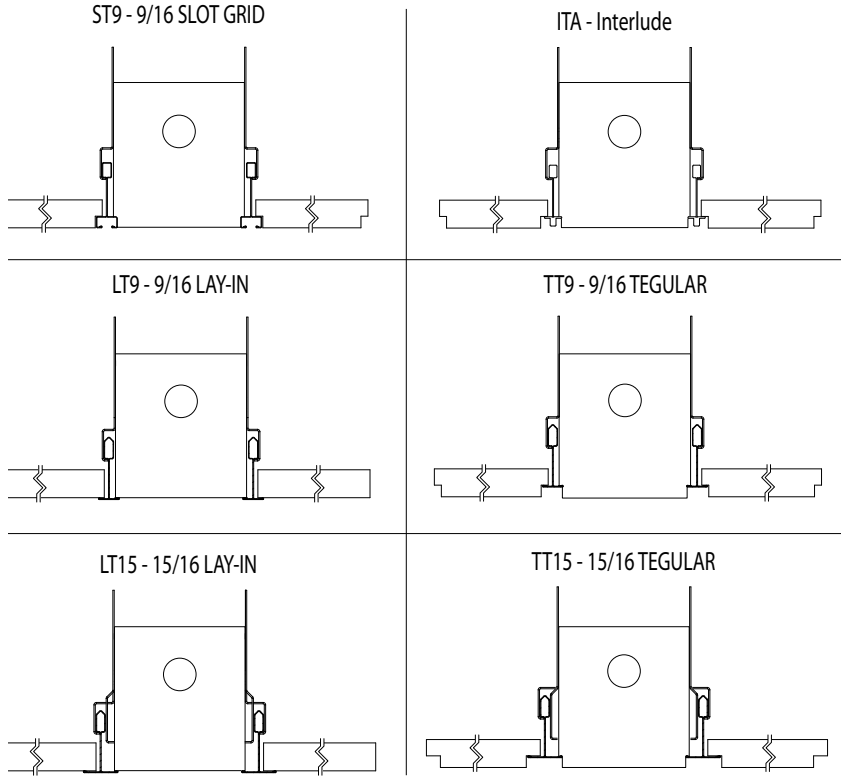


INSTRUCTION SHEET

Installation Guide



1. Loosen nuts on T-Grid Clamp Brackets. Drop fixture into roughed opening based on Table 1 below. Hang fixture using appropriate hanger wires (by others) through Wire Hanging bracket and attach to structure. Slide T-Grid Clamps up against bulb to secure and tighten via 8-32 nuts to T-grid for proper alignment.
2. Locate access panel on back of fixture on each end. Bring conduit and conduit fitting (both by others) through back of fixture or end caps through provided KO's. Wire line voltage to fixture according to provided wiring diagram.
3. When installing continuous runs, standard JAKE/JILL - remove lens and internal reflector/liner and set aside in a safe location. JAKE 350 WW - remove driver cover and light bar. Thru-wire fixtures with appropriate gauge wire. Connect pinch brackets on adjacent fixtures via 8-32 nuts. Secure alignment splines and pinch brackets before tightening T-Grid Clamps. Standard JAKE/ JILL- Re-install internal LED liner or reflector, lamp (if fluorescent) and lens. JAKE 350 WW - reinstall driver cover and light bar

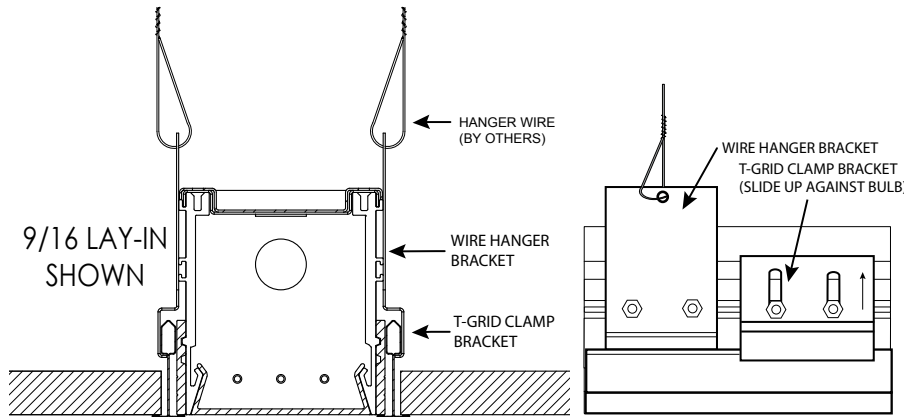
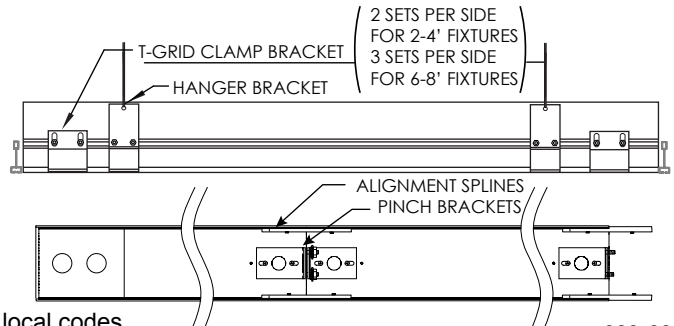
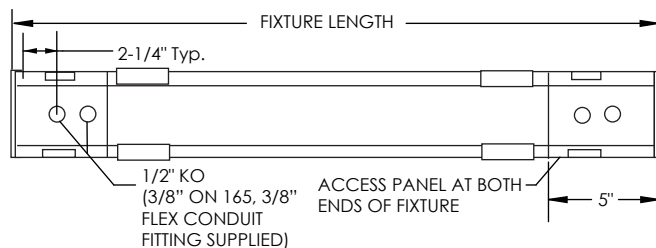


TABLE 1

Mounting Center Widths		
Jake/Jill Fixture Size	LT15/ TT15	LT9/TT9/ ITA/ ST9
165	2 13/16"	2 7/16"
225	3 1/4"	2 7/8"
325	4 1/4"	3 7/8"
500	6"	5 5/8"
4TZ	N/A	4"
6TZ	6"	6"
WW	4 3/4"	4 3/8"



**Note:** To be installed by a qualified electrician per N.E.C. and all local codes.

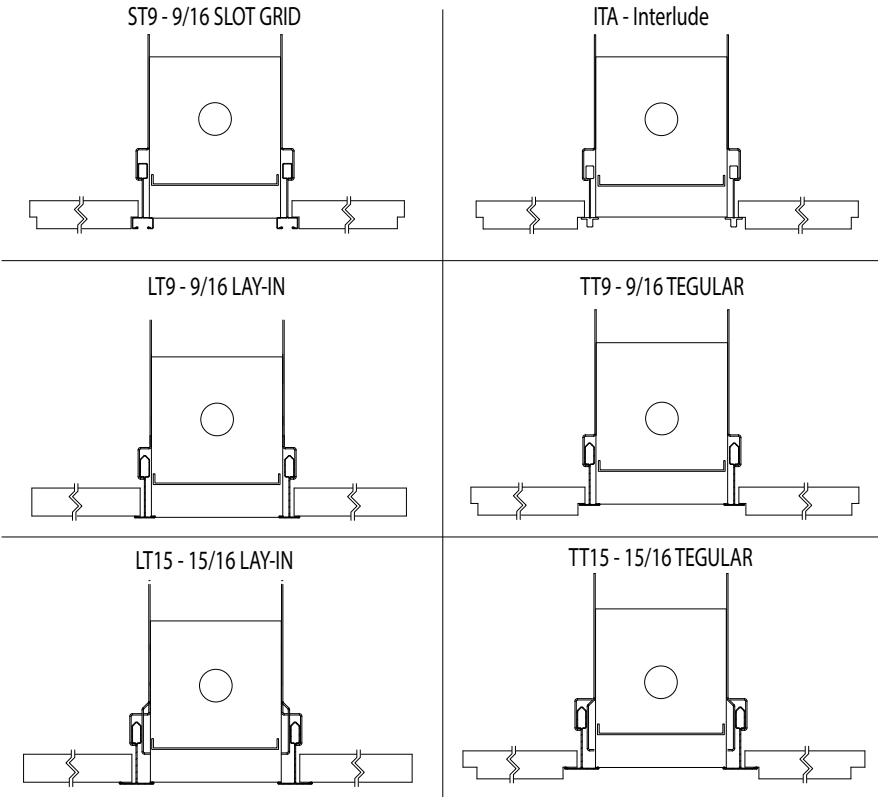
Additional support to structural member may be required. Check with local building codes for requirements

820-00059

V-0816

INSTRUCTION SHEET

Installation Guide



1. Loosen nuts on T-Grid Clamp Brackets. Drop fixture into roughed opening based on Table 1 below. Hang fixture using appropriate hanger wires (by others) through Wire Hanging bracket and attach to structure. Slide T-Grid Clamps up against bulb to secure and tighten via 8-32 nuts to T-grid for proper alignment.
2. Locate access panel on back of fixture on each end. Bring conduit and conduit fitting (both by others) through back of fixture or end caps through provided KO's. Wire line voltage to fixture according to provided wiring diagram.
3. When installing continuous runs, standard JAKE/JILL -remove lens and internal reflector/liner and set aside in a safe location. JAKE 350 WW - remove driver cover and light bar. Thru-wire fixtures with appropriate gauge wire. Connect pinch brackets on adjacent fixtures via 8-32 nuts. Secure alignment splines and pinch brackets before tightening T-Grid Clamps. Standard JAKE/ JILL- Re-install internal LED liner or reflector, lamp (if fluorescent) and lens. JAKE 350 WW - reinstall driver cover and light bar

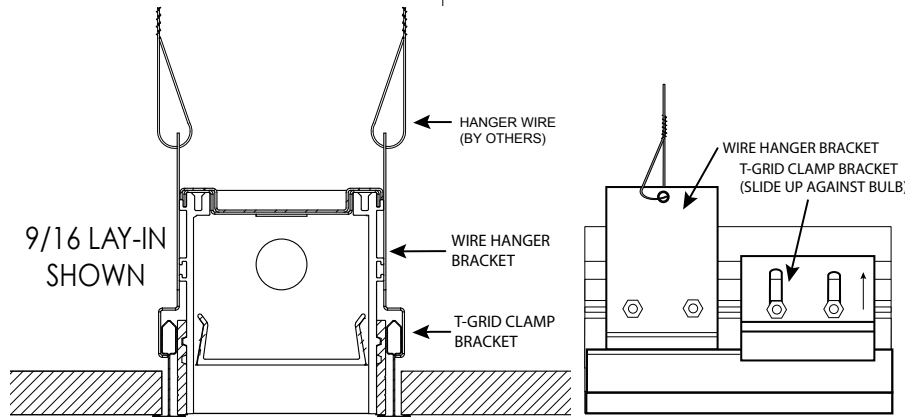
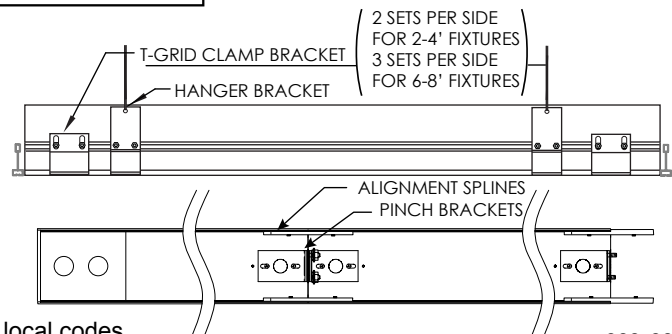
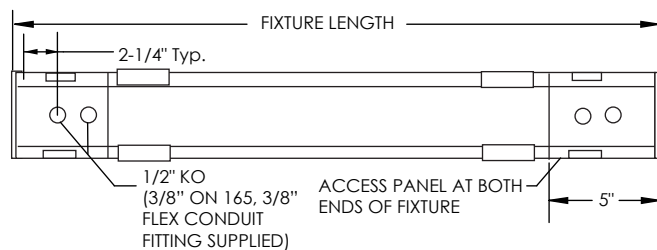


TABLE 1

Jake/Jill Fixture Size	Mounting Center Widths	
	Jake/Jill	Regressed Lens
165		2 13/16"
225		3 1/4"
325		4 1/4"
500		6"
4TZ		N/A
6TZ		6"

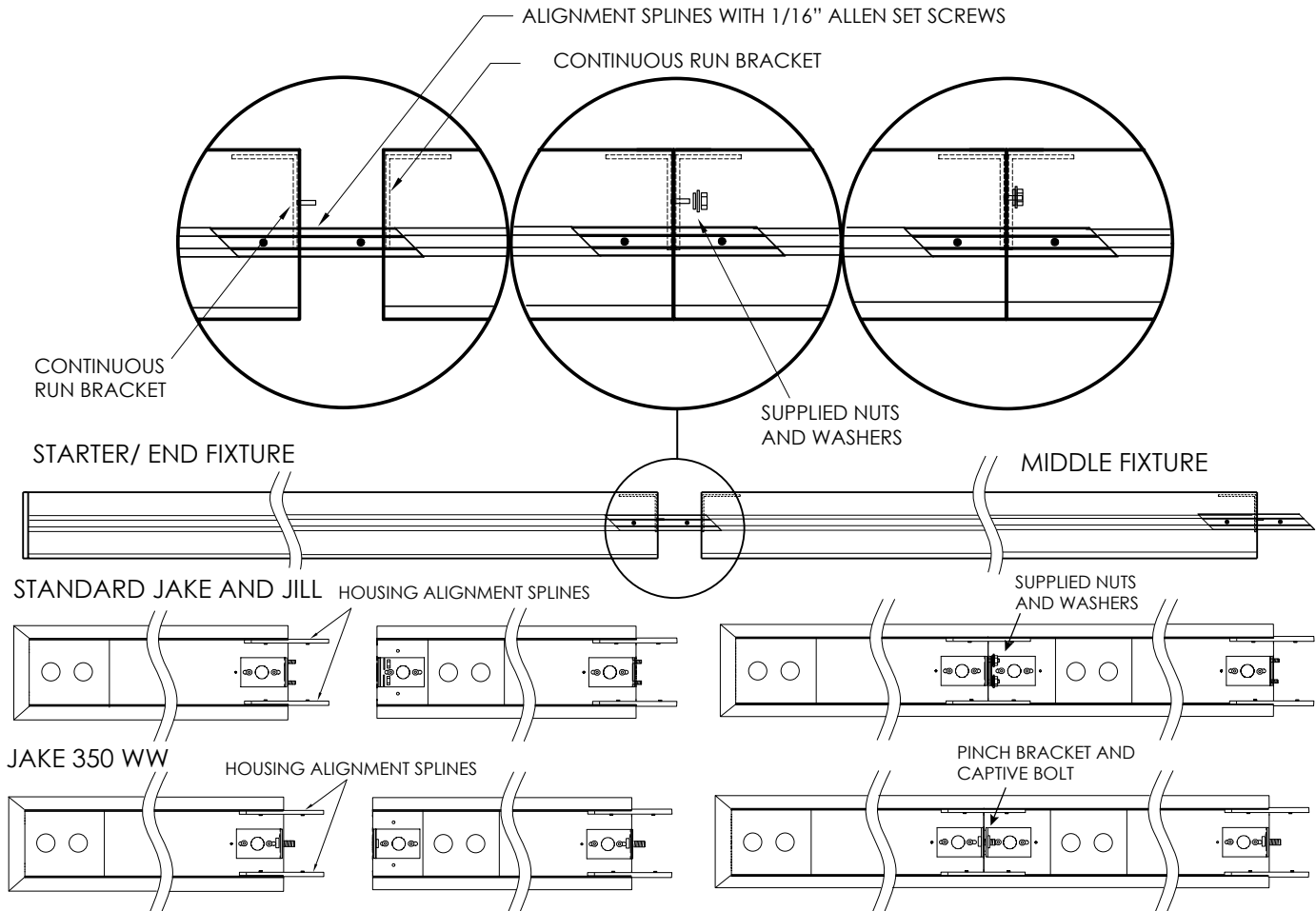


**Note:** To be installed by a qualified electrician per N.E.C. and all local codes. Additional support to structural member may be required. Check with local building codes for requirements

820-00059  
V-0816

**INSTRUCTION SHEET**

Installation Guide



**Instructions**

1. Connect power to starter fixture power supply.
2. Thru-wire to second fixture.
3. Slide open the end of the fixture over the starter fixture's continuous run housing alignment splines.
4. Standard JAKE/JILL - Line up holes on continuous run brackets. Secure with supplied #8 bolts, washers, and 11/32 nuts.  
JAKE 350 WW - Line up captive bolt with threaded bracket and tighten to suck sections together.  
(note: the internal "L" brackets should be set back approximately 1/16" from the edge of the fixture - tighten 1/16" allen set screws on alignment splines.)
5. Continue steps 1-4 until run is completed, (same steps apply for end fixtures).
6. Standard JAKE/ JILL Install liner/ tray.  
350 WW install Light Bar and Driver cover.
7. Install lamp(s) if fluorescent
8. Install lens. (N/A in 350 WW)

**Note:** To be installed by a qualified electrician per N.E.C. and all local codes.  
Additional support to structural member may be required. Check with local building codes for requirements

820-00115

V-0417