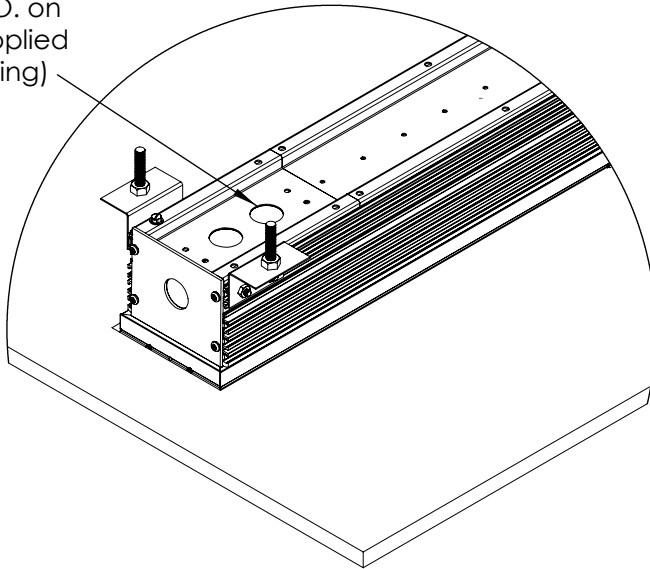


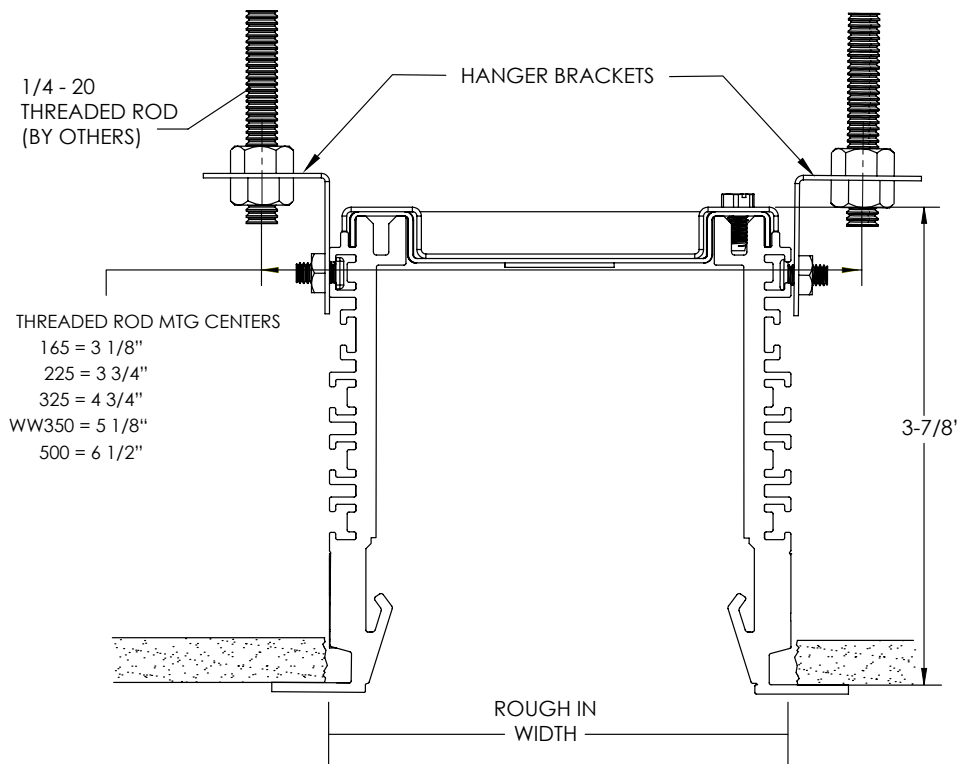
INSTRUCTION SHEET

Installation Guide

1/2" K.O. (3/8" K.O. on 165 with factory supplied 3/8" flex conduit fitting)



1. Slide fixture through roughed opening in mounting surface.
2. Slide 2-studs per Hanger Mounting Bracket into Slot-5. Secure Hanger Mounting Brackets to fixture housing with provided 8-32 hex nuts.
3. Wiring:
Standard JAKE/JILL - Remove lens and internal liner
JAKE 350 WW- Remove driver cover and light bar and set aside in a safe location. Bring conduit through back of fixture (via access panel) or end-cap of first fixture (if continuous run installation).
4. When installing continuous runs, thru-wire the fixtures using the appropriate gauge of wire. Use pinch brackets and alignment splines (installed on fixture) to join sections together when aligning adjacent fixtures.
5. After fixtures are secure to structure, replace liners. Reinstall lens to ensure proper fit.
6. When installing continuous runs, thru-wire the fixtures using the appropriate gauge of wire. Use pinch brackets and alignment splines (installed on fixture) to join sections together when aligning adjacent fixtures.
7. After fixtures are secure to structure, replace the liners. Reinstall lens to ensure proper fit.



Rough-In Dimension Width	
Jake/Jill Fixture Size	
165	2 1/2"
225	3"
325	4"
WW-350	4 1/2"
500	5 5/8"
Rough-In Dimension Length	
*See CR matrix for lengths	

Note: To be installed by a qualified electrician per N.E.C. and all local codes.

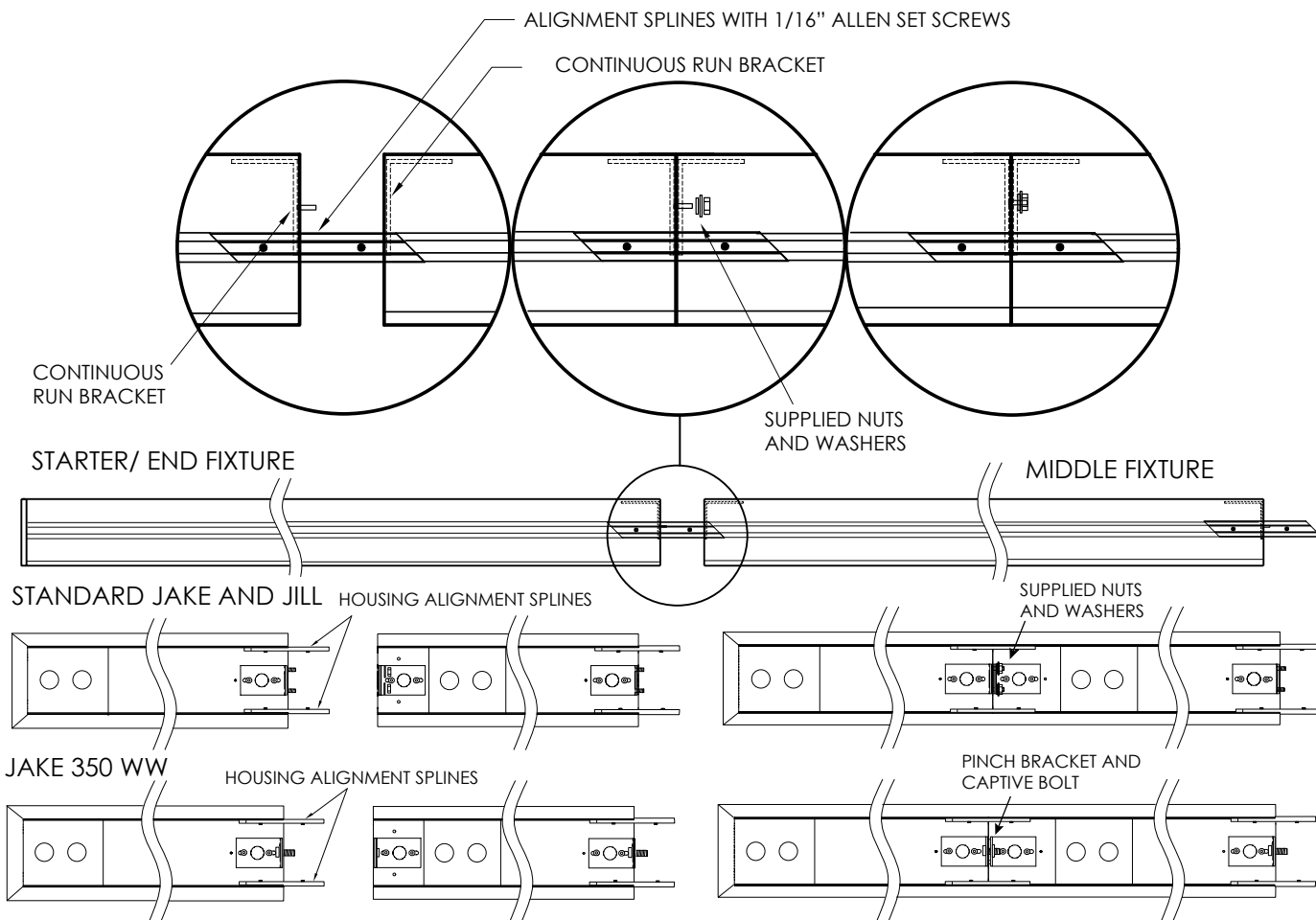
Additional support to structural member may be required. Check with local building codes for requirements

820-00060

V-0417

INSTRUCTION SHEET

Installation Guide



Instructions

1. Connect power to starter fixture power supply.
2. Thru-wire to second fixture.
3. Slide open the end of the fixture over the starter fixture's continuous run housing alignment splines.
4. Standard JAKE/JILL - Line up holes on continuous run brackets. Secure with supplied #8 bolts, washers, and 11/32 nuts.
JAKE 350 WW - Line up captive bolt with threaded bracket and tighten to suck sections together.
(note: the internal "L" brackets should be set back approximately 1/16" from the edge of the fixture - tighten 1/16" allen set screws on alignment splines.)
5. Continue steps 1-4 until run is completed, (same steps apply for end fixtures).
6. Standard JAKE/ JILL Install liner/ tray.
350 WW install Light Bar and Driver cover.
7. Install lamp(s) if fluorescent
8. Install lens. (N/A in 350 WW)

Note: To be installed by a qualified electrician per N.E.C. and all local codes.
Additional support to structural member may be required. Check with local building codes for requirements

820-00115
V-0417