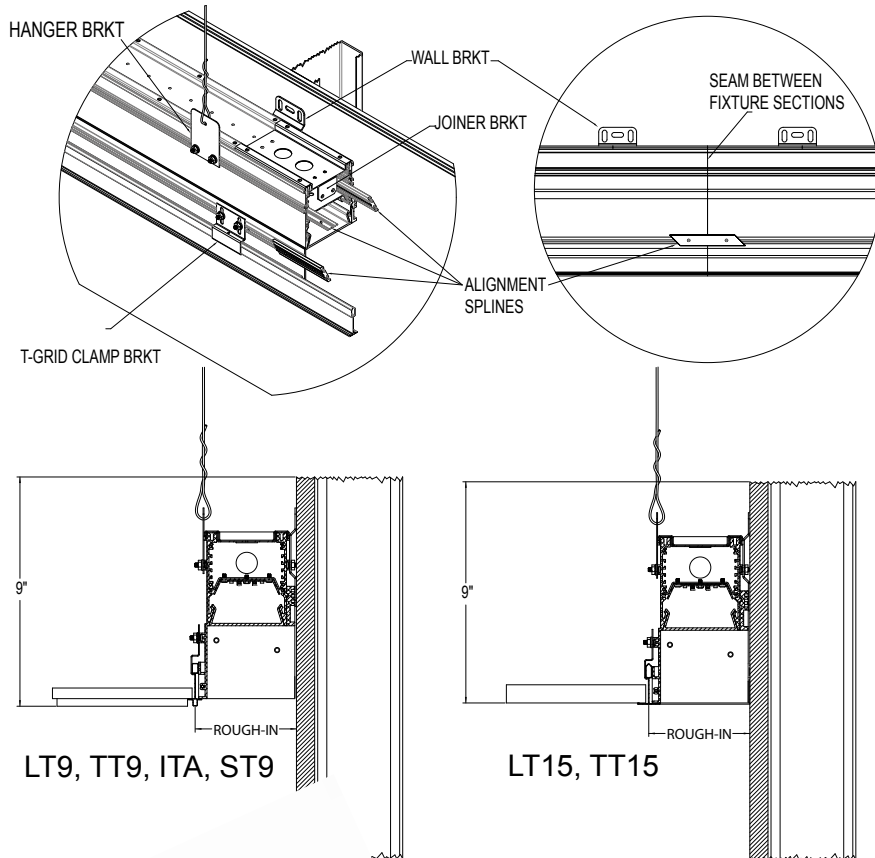


INSTRUCTION SHEET

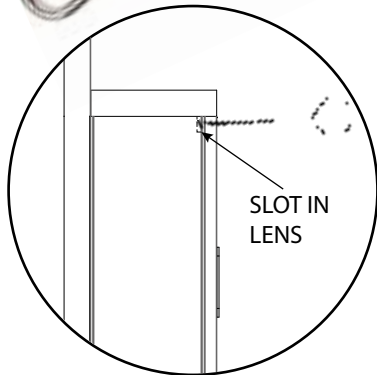
Installation Guide



LT9, TT9, ITA, ST9

LT15, TT15

PAINT CAN OPENER



ROUGH IN GRID CENTER TO WALL PERIMETER REGRESS FIXTURES MOUNTING GRID CENTERS		
	LT15, TT15	LT9, TT9, ITA, ST9
165	2.75"	2.75"
225	3.188"	3.188"
325	4.188"	4.188"
500	6.000"	6.000"
4TZ	4.188"	4.188"
6TZ	6.000"	6.000"

1. See matrix for rough-in opening length.
2. Ensure wall is extended 9" above ceiling.
3. Adjust wall brackets to align with wall studs or blocking support.
4. Loosen nuts on t-grid clamp brackets.
5. For Stand alone fixtures, use standard metal paint can opener, available at all local hardware stores, see picture. Insert end into small slot at one end of the lens and pull out.
6. For continuous runs, remove lens by pushing in lens at seam and pull lens down from edge. Then remove reflector/liner.
7. Install fixture(s) into roughed-in opening, install screws thru wall brackets and attach wire to hanger brackets. For continuous runs, do not completely tighten screws until alignment splines are positioned between sections and tightened, and joiner brackets are tightened. Note: ensure fixture does not warp when tightening screws. Check by making sure lens fits properly.
8. Tighten nuts on t-grid clamp brackets.
9. Bring conduit to fixture thru access panel or end cap and make wire connections inside fixture. Access panel can be temporarily removed to simplify wiring.
10. Reinstall reflector/liner and lens.

**Note:** To be installed by a qualified electrician per N.E.C. and all local codes.

820-00133

V-0517