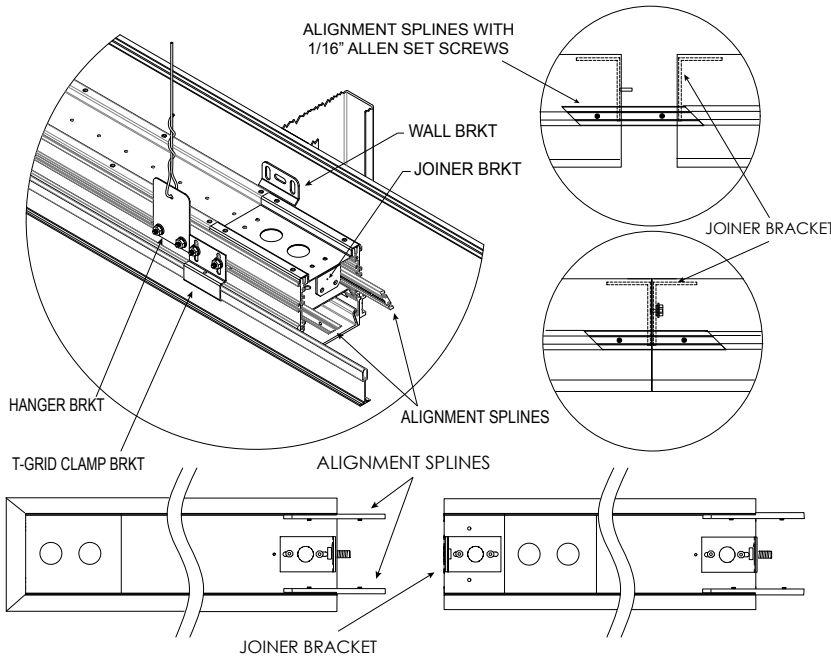
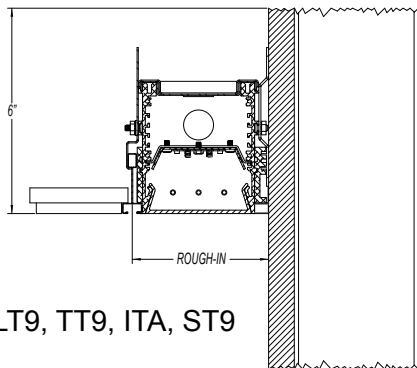


INSTRUCTION SHEET

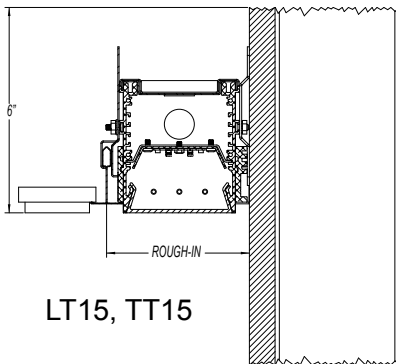
Installation Guide



1. See continuous run matrix for rough-in opening length.
2. Ensure wall is extended 6" above ceiling.
3. Adjust wall brackets to align with wall studs or blocking support.
4. Loosen nuts on t-grid clamp brackets.
5. For continuous runs, remove lens and reflector/liner.
6. Install fixture(s) into roughed-in opening, install screws thru wall brackets and attach wire to hanger brackets. For continuous runs, do not completely tighten screws until alignment splines are positioned between sections and tightened, and joiner brackets are tightened. Note: ensure fixture does not warp when tightening screws. Check by making sure lens fits properly.
7. Tighten nuts on t-grid clamp brackets.
8. Bring conduit to fixture thru access panel or end cap and make wire connections inside fixture. Access panel can be temporarily removed to simplify wiring.
9. Reinstall reflector/liner and lens.



LT9, TT9, ITA, ST9



LT15, TT15

ROUGH IN GRID CENTER TO WALL
PERIMETER REGRESS FIXTURES
MOUNTING GRID CENTERS

	LT15, TT15	LT9, TT9, ITA, ST9
165	2.75"	2.563"
225	3.188"	3.000"
325	4.188"	4.000"
500	5.938"	5.750"
4TZ	4.188"	4.000"
6TZ	5.938"	5.750"

Note: To be installed by a qualified electrician per N.E.C. and all local codes.

820-00137
V-0617