

INSTRUCTION SHEET

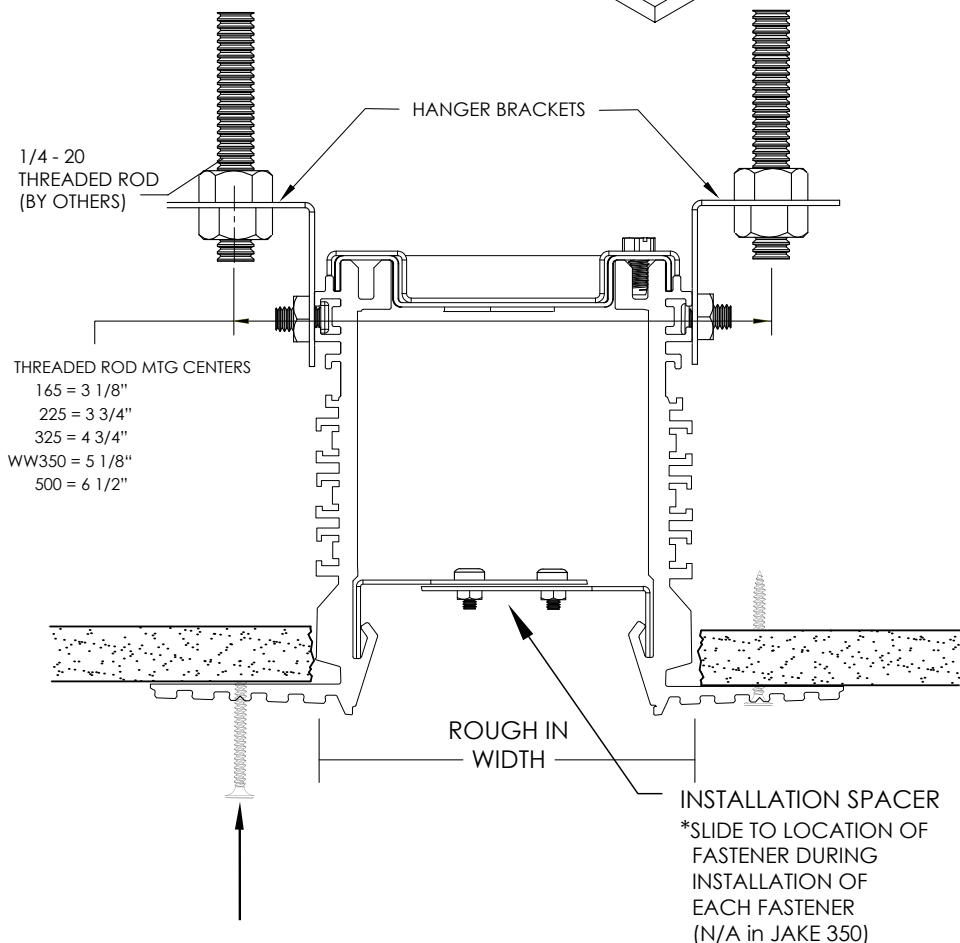
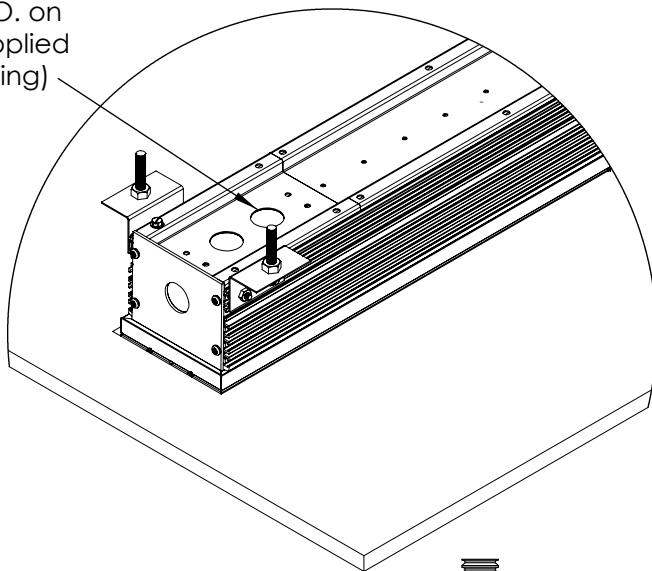
Installation Guide

1/2" K.O. (3/8" K.O. on 165 with factory supplied 3/8" flex conduit fitting)

Rough-In Dimension Width	
Jake/Jill Fixture Size	
165	2 1/2"
225	3"
325	4"
WW-350	4 1/2"
500	5 5/8"

Rough-In Dimension Length *See CR matrix for lengths	



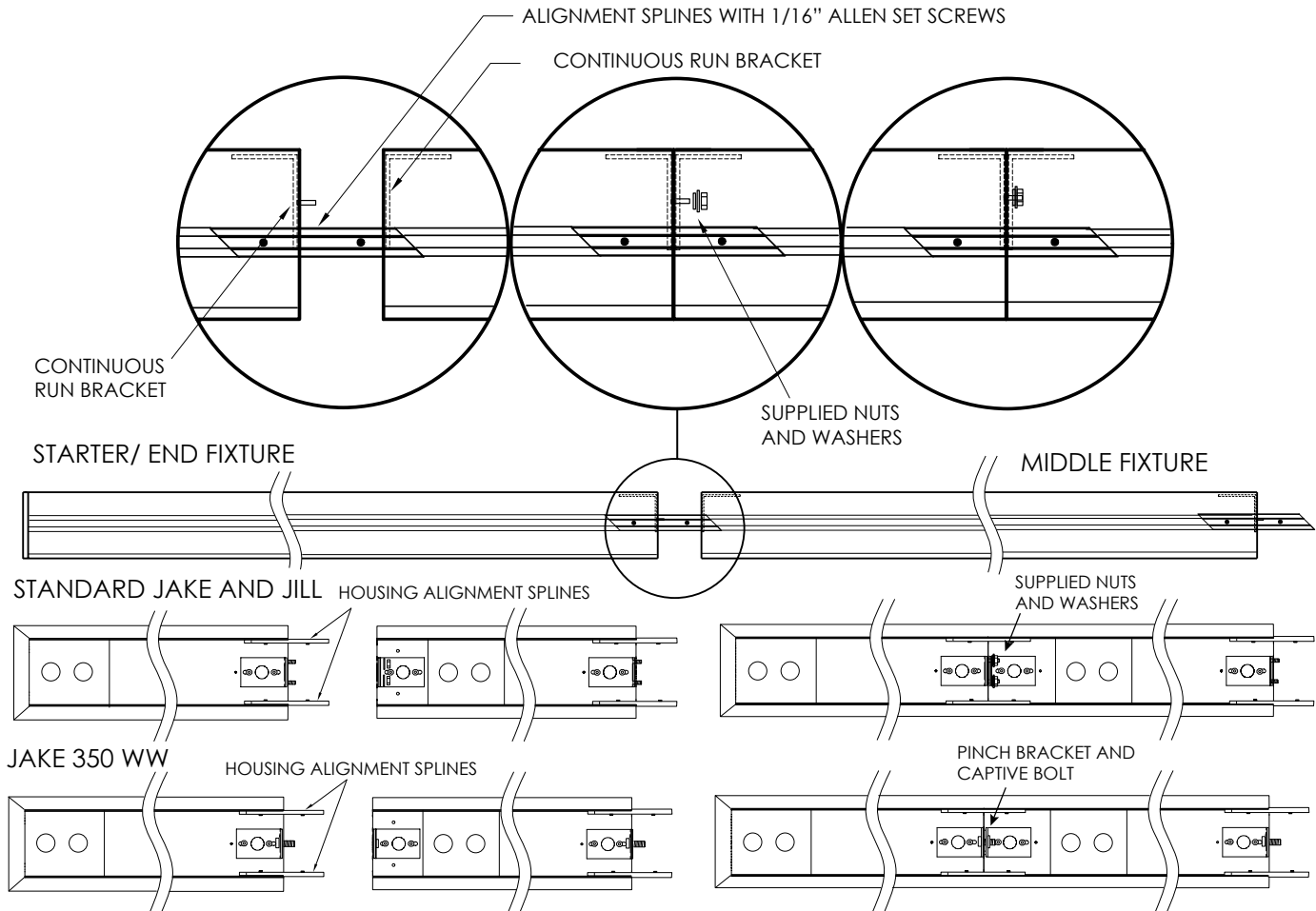
- Slide fixture through roughed opening in mounting surface.
- Slide 2-studs per Hanger Mounting Bracket into Slot-5. Secure Hanger Mounting Brackets to fixture housing with provided 8-32 hex nuts.
- Attach 1/4-20 threaded rod to Hanger Mounting brackets to suspend fixture at desired AFF. If preferred (not shown) fixture can be secured to structure with fasteners (supplied by others) via the Hanger Mounting brackets, or through the back of the fixture body. NOTE: Leave installation spacer inside fixture to prevent deformation during installation. (N/A in JAKE 350 WW. If installing fixtures directly to structure, when drilling the mounting holes be careful not to damage the ballast/driver (which may be moved if necessary via the fixture access panel).
- Wiring:  
Standard JAKE/ JILL - Remove lens and internal reflector  
JAKE 350 WW - Remove driver cover and Light Bar and set aside in a safe location. Bring conduit through back of fixture (via access panel) or end-cap of first fixture (if continuous run installation).
- When installing continuous runs, thru-wire the fixtures using the appropriate gauge of wire. Use pinch brackets and alignment splines (installed on fixture) to join sections together when aligning adjacent fixtures.
- After fixtures are secure to structure, remove Installation Spacer (N/A for JAKE 350 WW) and replace the internal reflector/ LED tray and lamps on standard JAKE. Reinstall driver cover and light bar. Reinstall lens to ensure proper fit (N/A in JAKE 350 WW).

**Note:** To be installed by a qualified electrician per N.E.C. and all local codes. Additional support to structural member may be required. Check with local building codes for requirements

820-00053  
V-0417

**INSTRUCTION SHEET**

Installation Guide



**Instructions**

1. Connect power to starter fixture power supply.
2. Thru-wire to second fixture.
3. Slide open the end of the fixture over the starter fixture's continuous run housing alignment splines.
4. Standard JAKE/JILL - Line up holes on continuous run brackets. Secure with supplied #8 bolts, washers, and 11/32 nuts.  
JAKE 350 WW - Line up captive bolt with threaded bracket and tighten to suck sections together.  
(note: the internal "L" brackets should be set back approximately 1/16" from the edge of the fixture - tighten 1/16" allen set screws on alignment splines.)
5. Continue steps 1-4 until run is completed, (same steps apply for end fixtures).
6. Standard JAKE/ JILL Install liner/ tray.  
350 WW install Light Bar and Driver cover.
7. Install lamp(s) if fluorescent
8. Install lens. (N/A in 350 WW)

**Note:** To be installed by a qualified electrician per N.E.C. and all local codes.  
Additional support to structural member may be required. Check with local building codes for requirements

**820-00115**  
V-0417