

Mullion Mount Installation Instructions

For Use With VAN (Mullion Mount and Continuous Run Systems)

820-00161 (Rev.1)

1 of 6

⚠ WARNING

Risk of electrical shock. Disconnect power before servicing or installing luminaire.

⚠ WARNING

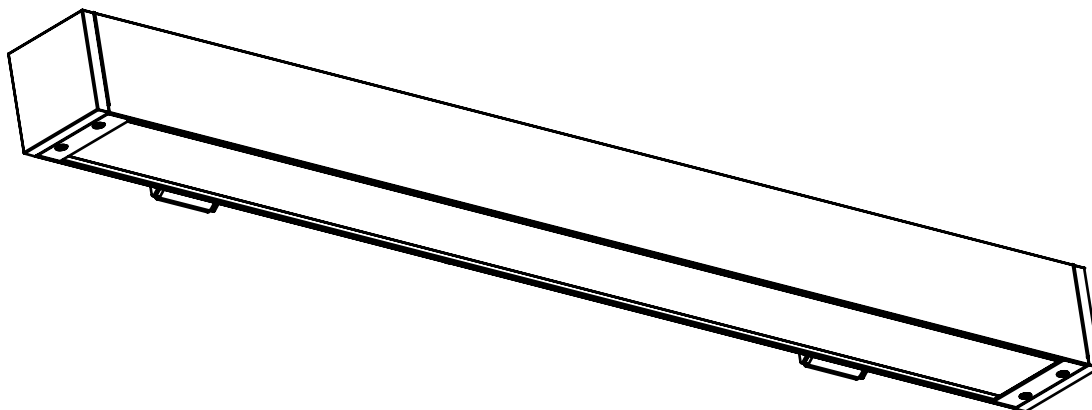
Risk of injury or damage. Luminaire will fail if not installed properly. Follow installation instructions.

⚠ WARNING

Risk of injury. Wear safety glasses and gloves during installation and servicing. Allow ample time to cool before handling.

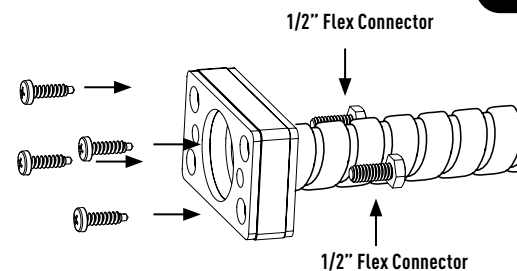
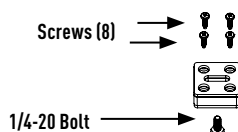
IMPORTANT SAFETY INSTRUCTIONS

- Read all installation instructions before installing. It is important to save these instructions.
- Only install and connect LED module/boards with power disconnected at the circuit breaker. Hot plugging, or connecting the LED module/board with power on, could damage the LEDs and is not covered by warranty.
- Connectors on modules/boards and approved housings are keyed for specific voltage combinations; do not force or attempt to bypass connectors.
- Observe and follow all label information and instructions regarding dry, damp and wet location listings, proper Intense LED module, warnings of installation near combustible materials and/or insulation.
- Turn off power at circuit breaker before attempting to install or perform maintenance on the fixtures.
- Be sure to connect ground wire to prevent electric shock or other potential hazards.
- The product must be installed in a manner consistent with the intended use and in compliance with the national electrical codes and local codes by a person familiar with the construction and operation of the product and the hazards involved.
- Do not block the trim aperture as this may cause unsafe operating conditions.
- **WARNING: RISK OF FIRE.** Non-IC fixture requires that insulation must be kept at least 3" away from all sides of the fixture. Minimum of 90°C supply conductors. Consult a qualified electrician before installation.



POWER FEED/MOUNTING SETUP:

1. Drill hole in mullion as shown for flex conduit or other suitable power cord. Note: size of hole depends on size of conduit connector and must be large enough to allow conduit connector to protrude into the mullion if it sticks out beyond the mullion block.
2. Connect 1/2" flex conduit to power feed block using 1/2" NPT flex connector (By others). (add detail picture to panel)
3. Install mullion brackets (A) as shown using appropriate 1/4" fasteners (by others) suitable for intended surface, onto mullion.



1

INSTALLATION SHEET L/M-08142020 P-3

BIRCHWOOD LIGHTING | 3340 E La Palma Ave, Anaheim, CA 92806 | tel 714 550-7118 | fax 714 550-7151 | www.birchwoodlighting.com

For Birchwood Lighting's limited product warranty, go to www.birchwoodlighting.com. For a printed copy of the warranty, you may call 800 961-5321.

© 2020 Birchwood Lighting, Inc. All rights reserved. **Note:** This document is subject to change without notice.

BIRCHWOOD | a LEVITON[®]
lighting | company

Mullion Mount Installation Instructions

For Use With VAN (Mullion Mount and Continuous Run Systems)

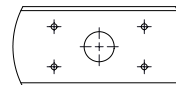
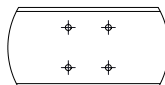
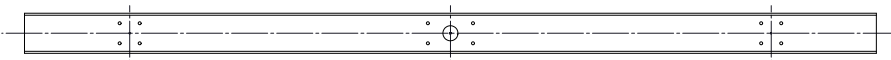
820-00161 (Rev.1)

2 of 6

POWER FEED / J-BOX SETUP

1A

1. Install mullion brackets (A) as shown using appropriate 1/4" fasteners (by others) suitable for intended surface, onto mullion.
2. Drill hole in mullion as shown for flex conduit or other suitable power cord. Note: size of hole depends on size of conduit connector and must be large enough to allow conduit connector to protrude into the mullion if it sticks out beyond the mullion block.

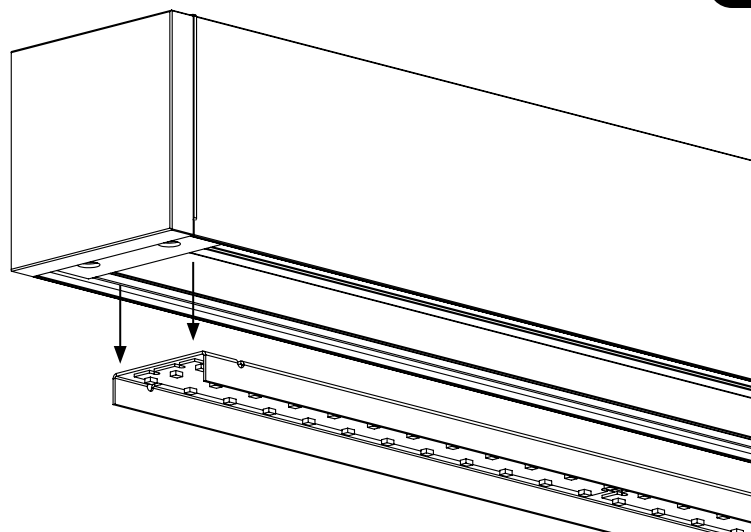


| Nominal Length | Cable Centers | Actual Length |
|----------------|---------------|---------------|
| 2' | 8" | 16" |
| 3' | 12" | 24" |
| 4' | 16" | 32" |

REMOVE LED LINER:

2

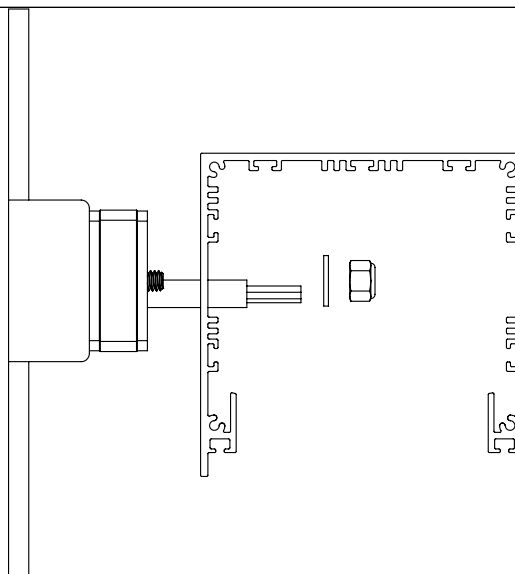
1. Remove the 4 screws and quick disconnect to set liner aside during installation. (add picture to panel)



INSTALL FIXTURE:

3

1. Slide fixture onto bolts on mullion blocks while feeding the power cord through power hole. Tighten up with nuts and washers provided. (Make sure it is tightened so the gasket starts to squish out to ensure the connections are sealed)



INSTALLATION SHEET L/M-08142020 P-2

BIRCHWOOD LIGHTING | 3340 E La Palma Ave, Anaheim, CA 92806 | tel 714 550-7118 | fax 714 550-7151 | www.birchwoodlighting.com

For Birchwood Lighting's limited product warranty, go to www.birchwoodlighting.com. For a printed copy of the warranty, you may call 800 961-5321.

© 2020 Birchwood Lighting, Inc. All rights reserved. **Note:** This document is subject to change without notice.

BIRCHWOOD | a LEVITON[®]
lighting | company

Mullion Mount Installation Instructions

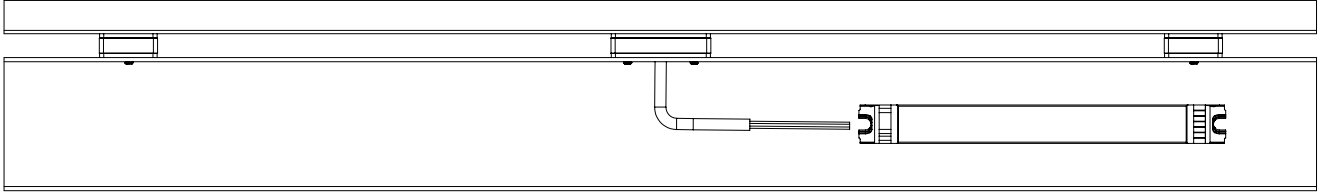
For Use With VAN (Mullion Mount and Continuous Run Systems)

820-00161 (Rev.1)
3 of 6

WIRE FIXTURE:

4

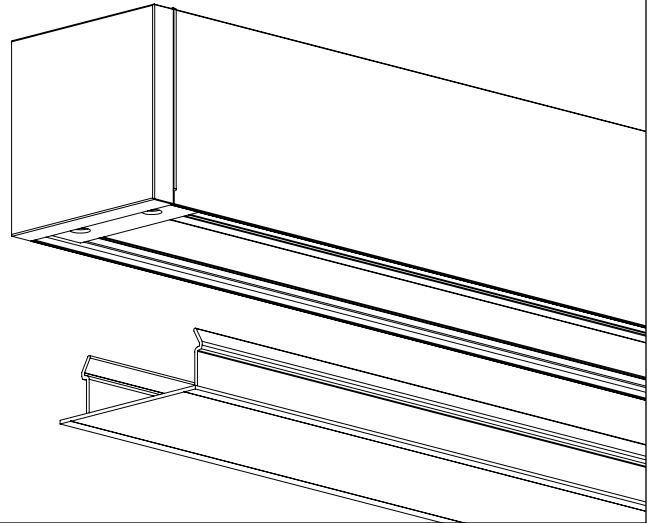
1. Make up wires inside fixture to driver leads.
2. Reinstall LED liner.



INSTALL LENS:

5

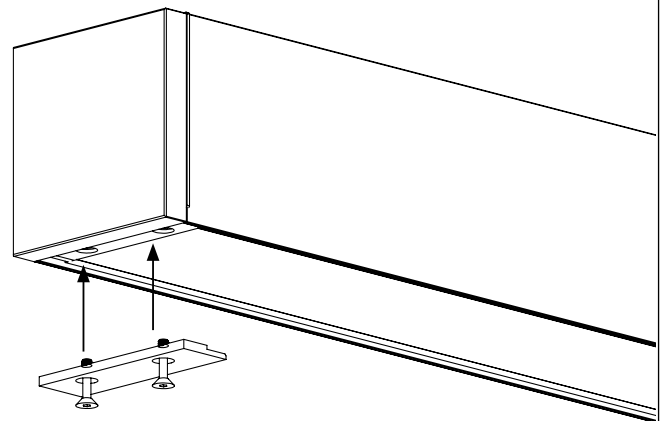
1. Firmly press along entire length of lens to ensure a good seal.



REINSTALL BOTH END PLATES:

6

1. Line up end plate and insert safety screws.



INSTALLATION SHEET L/M-0814/2020 P-3

BIRCHWOOD LIGHTING | 3340 E La Palma Ave, Anaheim, CA 92806 | tel 714 550-7118 | fax 714 550-7151 | www.birchwoodlighting.com
For Birchwood Lighting's limited product warranty, go to www.birchwoodlighting.com. For a printed copy of the warranty, you may call 800 961-5321.
© 2020 Birchwood Lighting, Inc. All rights reserved. **Note:** This document is subject to change without notice.

BIRCHWOOD | a **LEVITON**®
lighting | company

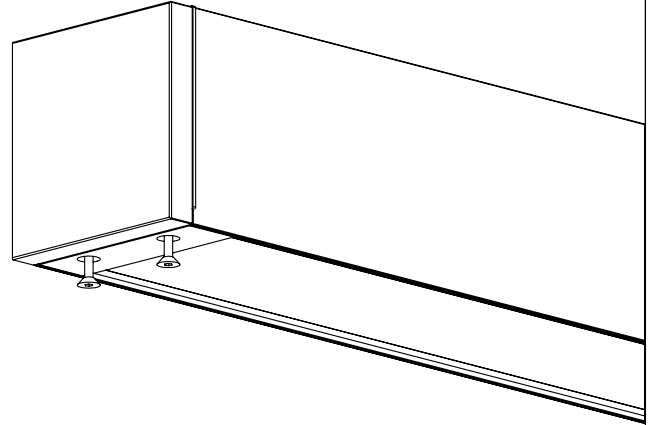
Mullion Mount Installation Instructions

For Use With VAN (Mullion Mount and Continuous Run Systems)

820-00161 (Rev.1)
4 of 6

SECURE END PLATES:

1. Tighten up to bolts to suck in end plate to be flush with extrusion. (**NOTE:** To remove lens, lift from end using a flat blade screwdriver(E) to pry loose. Note: take care not to damage lens or gasket. Continuous run, account for 1/8" between fixtures.)



Continuous Run Installation Instructions

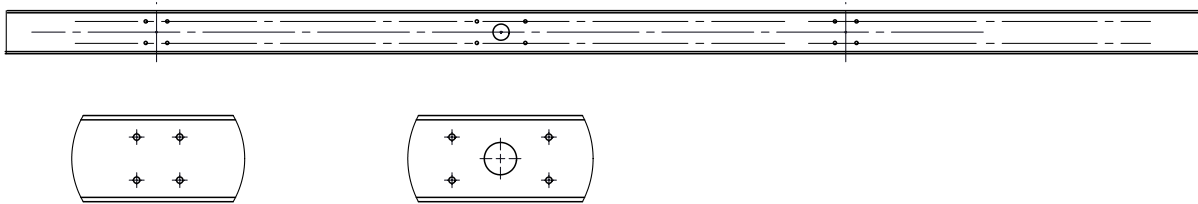
For Use With VAN (Mullion Mount and Continuous Run Systems)

820-00161 (Rev.1)
5 of 6

PREP FOR MOUNTING:

1

1. Mark 2 chalk lines as shown.
2. Lengths should be as long as the entire continuous run length



INSTALL FIXTURE RUN:

2

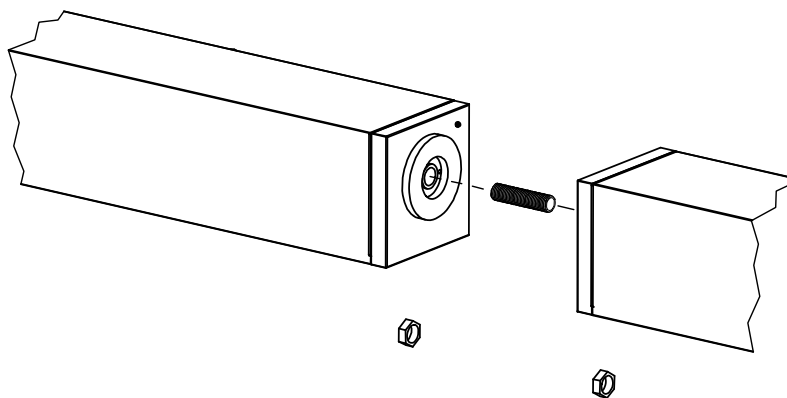
1. Install first fixture using accompanying installation instructions steps 1-3.
2. Note: first fixture will have main power feed.
3. Measure from face of end cap to locate wall mount brackets (A) and install as shown.



PEEL AND STICK GASKET (B) TO FIRST FIXTURE AS SHOWN:

3

1. Mount second fixture on wall brackets (A).
2. Install coupling (C) between first and second fixture and secure with locknuts (D).



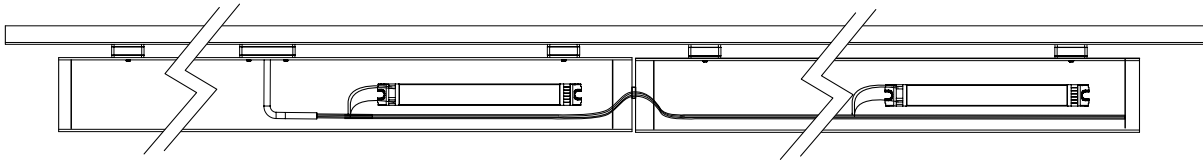
Continuous Run Installation Instructions

For Use With VAN (Mullion Mount and Continuous Run Systems)

820-00161 (Rev.1)
6 of 6

WIRE FIXTURES:

1. Pull wire (by others) thru coupling and make connections.



INSTALL ADDITIONAL FIXTURES AS REQUIRED:

Note: To remove lens, lift from end using a flat blade screwdriver(E) to pry loose. Note: take care not to damage lens or gasket. Continuous run, provide for 1/8" between fixtures.