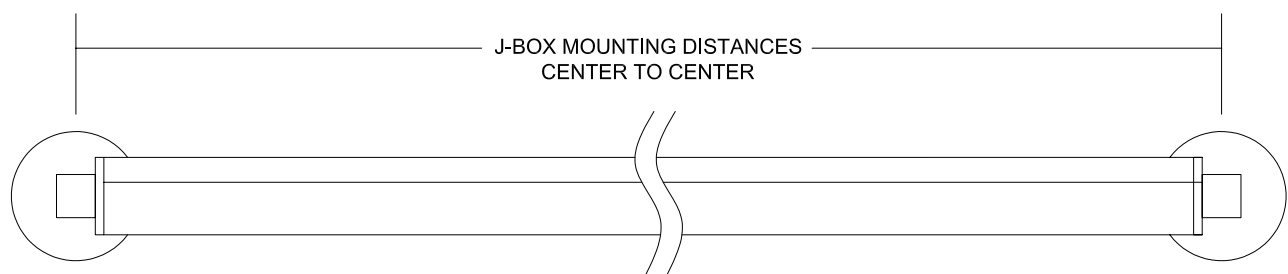
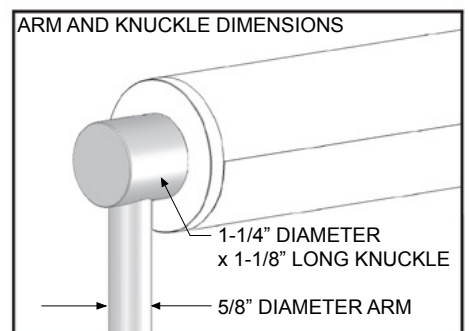
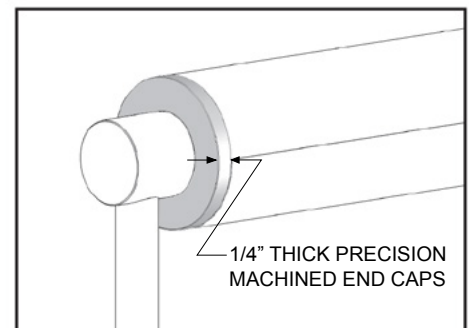
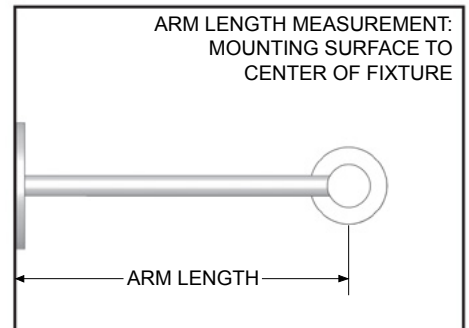
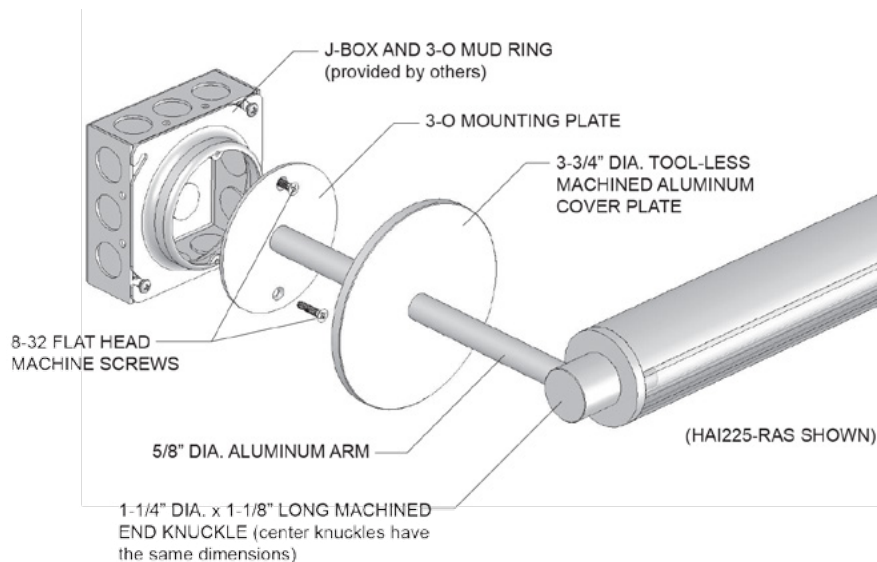


**INSTRUCTION SHEET**

3-0 MP - RAS Installation Guide

STANDARD COVER PLATE



See continuous run matrix pages for fixture length and cable spacing

**Note:** To be installed by a qualified electrician per N.E.C. and all local codes.

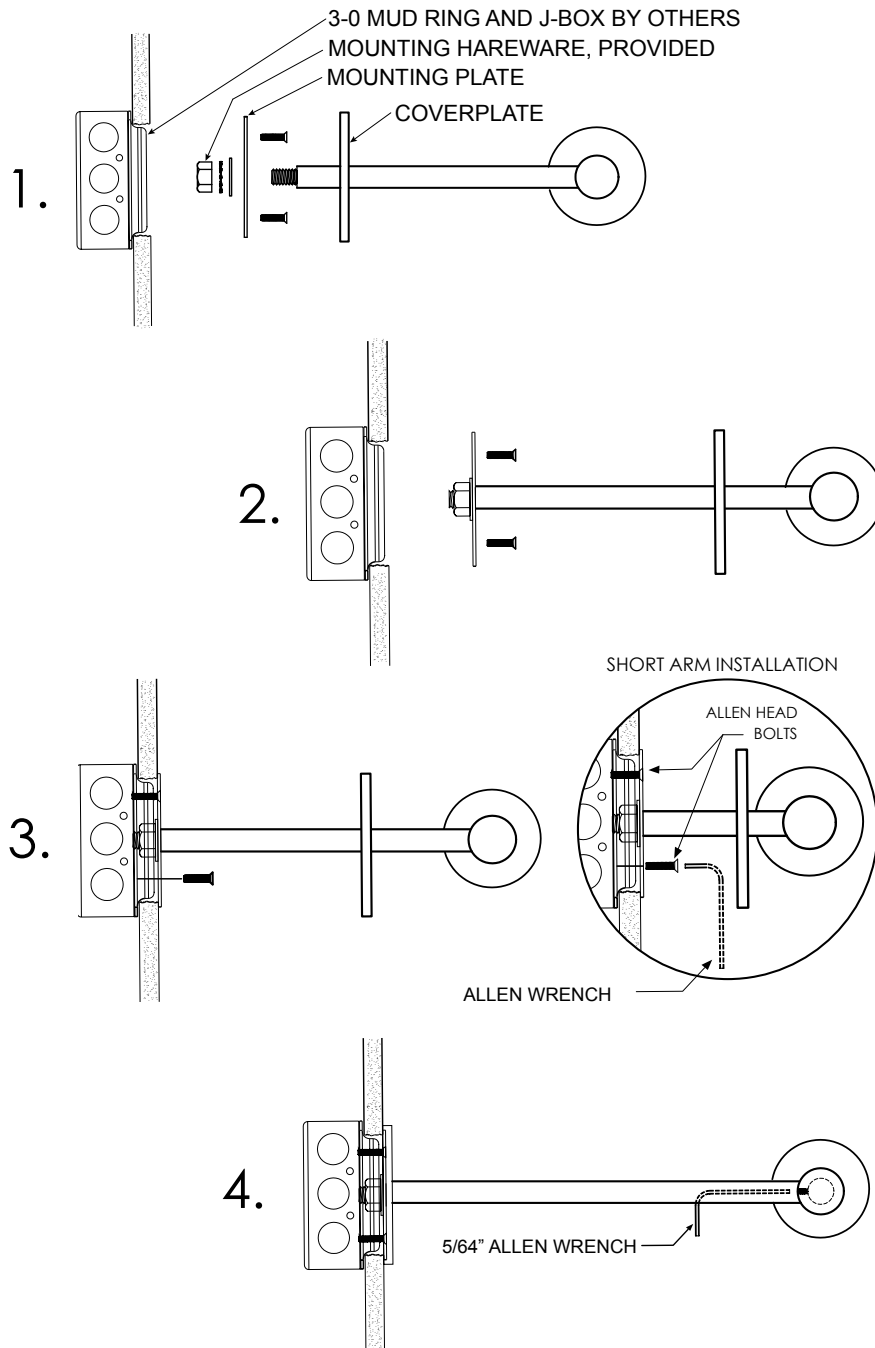
**820-00049**

V-0717

INSTRUCTION SHEET

RAS-3-0 MP Option

Standard Cover Plate



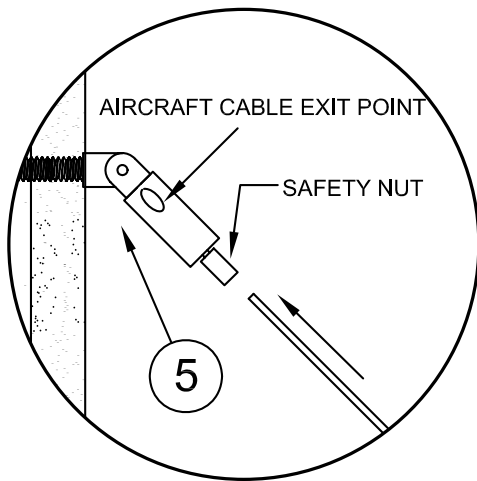
1. Install J-Box (by others) with 3-0 Mud Ring (provided by contractor).  
  
-Use fixture mounting center chart (on RAS arm spacing page). *It is critical that these dimensions are precisely followed.*
2. Slide cover plates over arms, slide threads through mounting plate, star washer and flat washer, securely tighten with nut - make sure mounting holes align with mud ring holes.
3. Complete wire make-up per code to J-Box or power supply housing and complete wire make-up per supplied wiring diagram.
4. Securely mount fixture to wall with provided 8-32 flat undercut head screws (*Hex head screws provided for short arm applications, Allen wrench not provided.*)
5. Slide cover plate over mounting plate (magnets with pull cover plate tight against wall).
6. Use Allen wrench to loosen fixture at arm knuckles.
7. Adjust fixture as desired and tighten set screws to secure in place. Set screw may be left loose for adjustment if desired.

**Note:** To be installed by a qualified electrician per N.E.C. and all local codes.

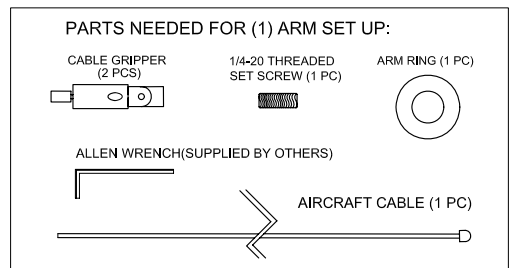
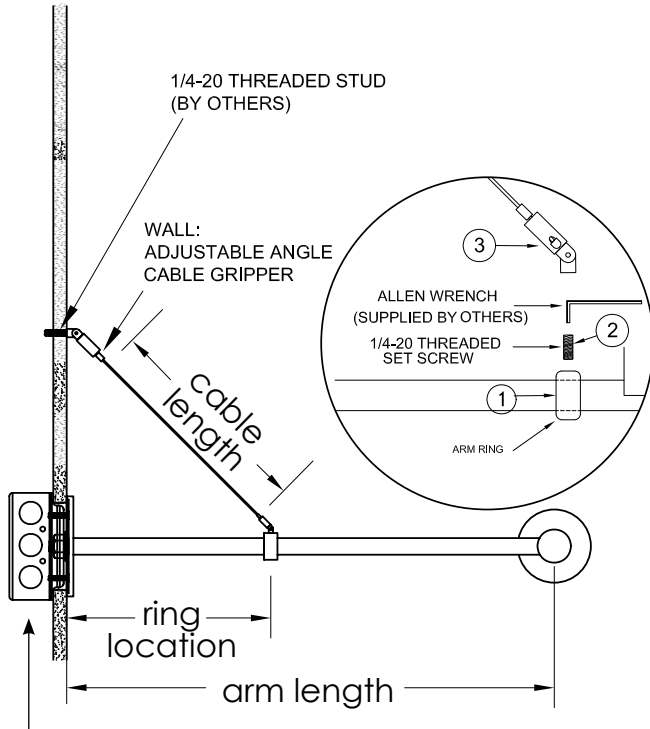
820-00049  
V-0717

INSTRUCTION SHEET

RAS-TB - Cable Tie Back Option



1. During fixture installation, attach arm ring to desired position. Should be set to at the middle of arm to be most effective.
2. Attach 1/4-20 threaded set screw to secure arm ring to arm and thread on cable gripper to set screw.
3. Cut off die-cast end stop on aircraft cable, being careful not to fray ends. Feed aircraft cable into gripper, attach to arm ring.
4. Attach cable gripper to 1/4-10 stud at wall to same distance that ring in set at, to create a 45 degree angle.
5. Feed aircraft cable through the safety nut to desired length (cut extra cable if necessary)

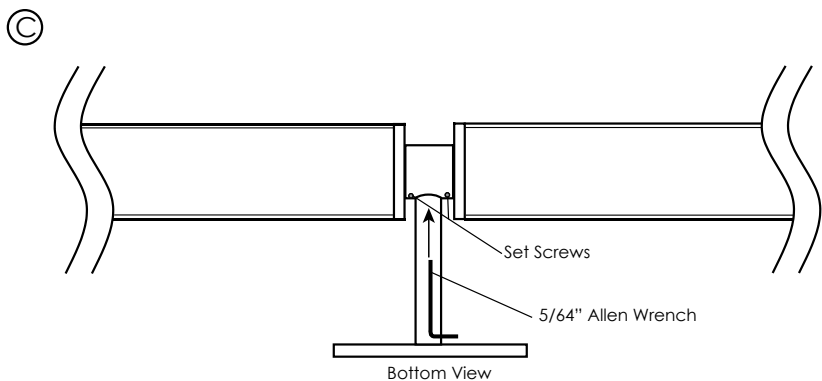
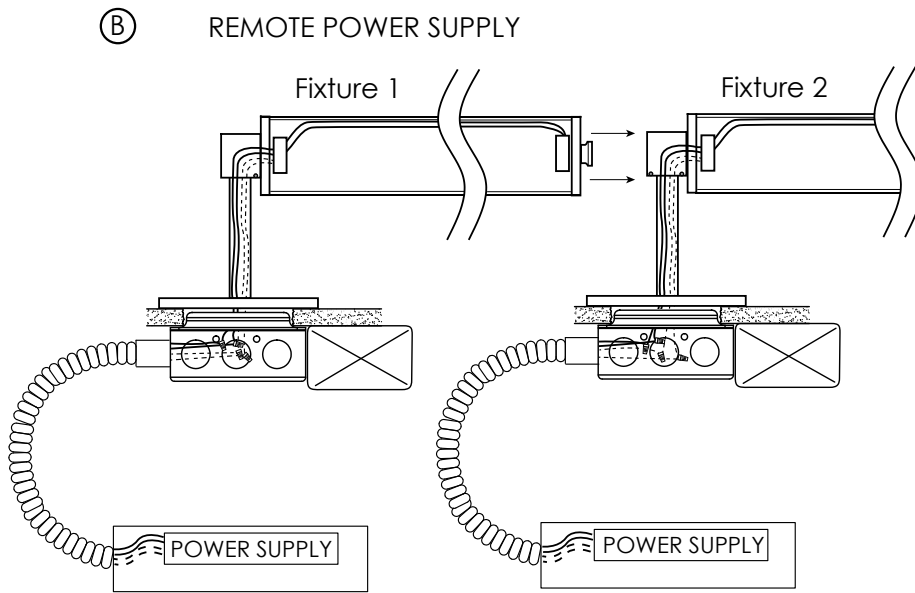
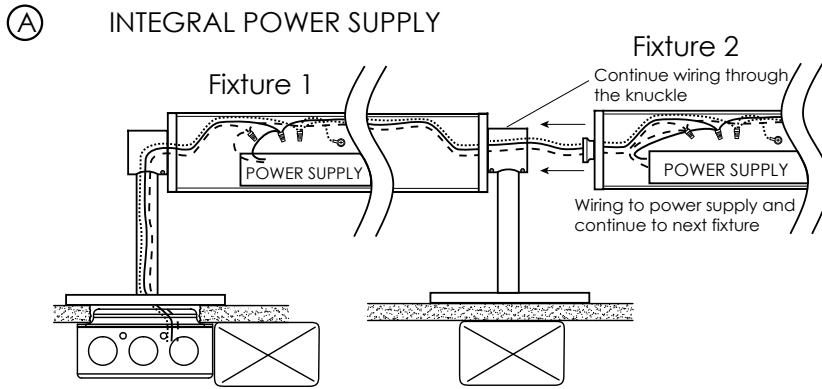


**Note:** To be installed by a qualified electrician per N.E.C. and all local codes.

820-00051  
V-0714

INSTRUCTION SHEET

Connection and Wiring



1. Install J-Box (by others) with Mud Ring (provided by contractor).
2. Slide cover plates over arms, slide threads through mounting plate, star washer and flat washer, securely tighten with nut - make sure mounting holes align with mud ring holes.
3. Complete wire make-up per code to J-Box or power supply housing and complete wire make-up per supplied wiring diagram.
4. Securely mount fixture to wall with provided 8-32 flat undercut head screws (*Hex head screws provided for short arm applications, Allen wrench not provided*).
5. Slide cover plate over mounting plate (magnets with pull cover plate tight against wall).
6. Through wire out of 1st fixture, through the knuckle into the second fixture and connect the power to the power supply. (A)
7. Connect 2nd fixture into knuckle, tighten set screw to lock into place. (A & B)
8. To rotate and aim fixture into desired position, use allen wrench to loosen fixture at arm knuckles (C) Lock fixture into place tighten set-screw. Set screw may be left loose for adjustment if desired.

**Note:** To be installed by a qualified electrician per N.E.C. and all local codes.

**ALL HAILEY RAS**  
V-0714