



Imagine it...shadow-free cove lighting.

Presenting: ASHLEY LED - the new reality in effective, uninterrupted diffuse illumination for architectural cove and soffit lighting applications.

Specification-grade fabrication and design are encased within ASHLEY's minimal-sized profile selection. ASHLEY easily fits into the smallest installations. Our diffuser and LED engine system combines to provide gorgeous, smooth ceiling illumination or wall-washing without shadows, hot-spots, or glare. Continuous runs are simplified with end-to-end mounting knock-outs and pre-installed Quick-Connect thru-wiring as standard features.

With efficient LED output, precise illumination capabilities, easy installation and adjustable throw, ASHLEY makes it possible to realize better cove lighting - imagine that.



UL and c-UL listed for dry and damp locations.



Made in the USA

FIXTURE SPECIFICATIONS

Construction

Heavy gauge aluminum housing. High-reflectivity White pre-painted aluminum finish. Quick-Connect tandem wired as standard feature for easy master/satellite configurations. Optional plastic dust cover also available.

Mounting

Suitable for surface mounting in cove or soffit. Continuous-row mounting available featuring Quick-Connect tandem wiring (standard).

Adjustable Throw

Tool-less adjustable aiming is performed in up to a full 15 degrees in 5 degree increments for directing the light within the application.

LED Light Engine System

LED Light Engines are available as HLO (High Lumen Output) and SLO (Standard Lumen Output) providing efficient illumination. CLO (Custom Lumen Output) allows for end user specified lumen output or tailored wattage consumption for certain models. Consult factory for details.

Dimming

Dimming is available with a variety of control protocols and options. Consult factory for availability and specifications.

Fixture Length

Fixtures are available in nominal lengths of 2, 3, and 4 feet. Continuous run mounting available. See lamp measurement chart for more for details.

Optics

Available in Wide or Narrow distribution.

Finishes

High-reflectivity White pre-painted aluminum finish is standard. Custom finishes are available - consult factory.

Custom and Mods

We proudly specialize in manufacturing custom and modified luminaires and have the ability to modify most of our standard fixtures. Please contact factory with any inquiries.

SPECIFICATION CODE

ASH-LED

model light engine color temp optic length voltage driver options

Model	Light Engine	Color Temp	Optic	Nominal Length	Voltage	Driver	Options
ASH-LED -	SLO - Standard Lumen Output HLO - High Lumen Output CLO ² - Custom Lumen Output	27 - 2700K	10 - Narrow Distribution	2	120	D1 - 1% (nom) 0-10V D10 - 10% 0-10V	PDC - Plastic Dust Cover HLA2 ³ - Lutron 2 wire HLH - Lutron H EcoSystem DALI - DALI
		30 - 3000K		3	277		
		35 - 3500K	80 - Wide Distribution	4	347 ²		
		40 - 4000K		CR ¹ Continuous Run (runs are made up of 4' nominal fixtures unless otherwise specified)			

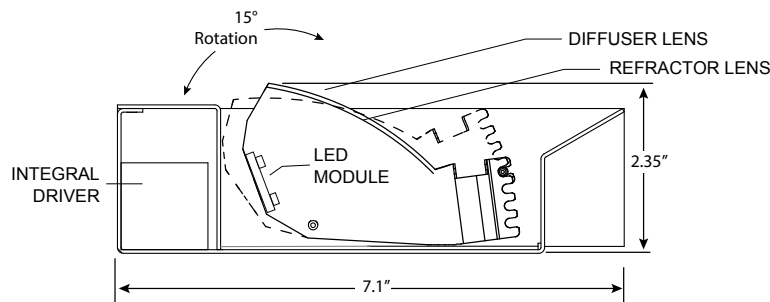
[CLO Calculator](#)

Nominal Length	Actual Length
	LED
2	22.5"
3	33.5"
4	44.5"

NOTES

- 1 specify length in nominal feet
- 2 available for D1, D10 drivers only

Dimensions

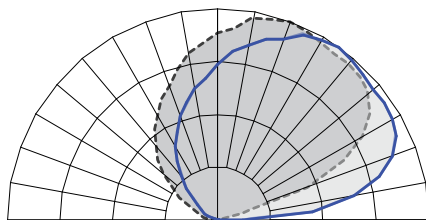


LED

ASHLEY (4000K FW lens)

SLO - 115.8 lm/watt delivered @ 4.4 w/ft fixture input watts, 510 lm/ft.
HLO - 108.8 lm/watt delivered @ 9 w/ft fixture input watts, 980 lm/ft.
CLO - refer to [CLO Calculator](#)
LED [supplement info](#)

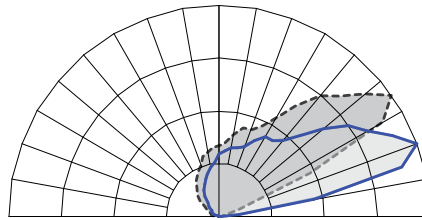
80 - Wide Distribution



- Set to 0° rotation
- ▨ Set to 15° rotation

Maximum Candela 4 ft. fixture = 1114.07
Located at Horizontal Angle = 0, Vertical Angle = 145

10 - Narrow Distribution



- Set to 0° rotation
- ▨ Set to 15° rotation

Maximum Candela 4 ft. fixture = 2452.02
Located at Horizontal Angle = 0, Vertical Angle = 110