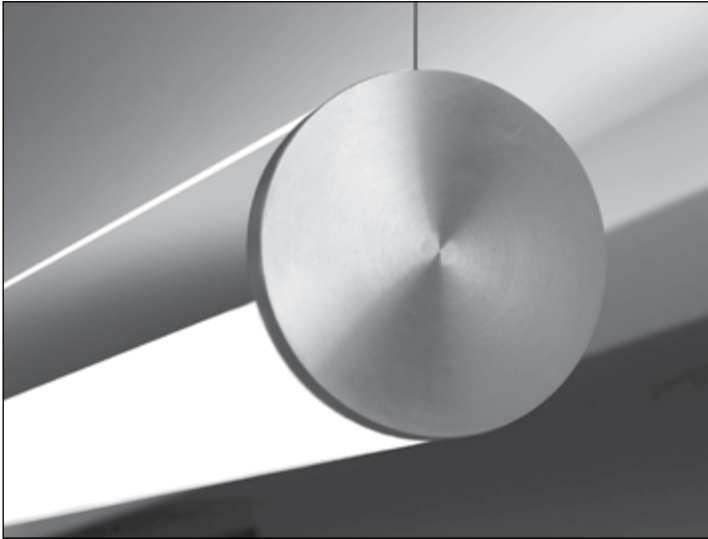


CHLOE LED

Direct/Indirect

2.25", 4.75" Round Profile Luminaire

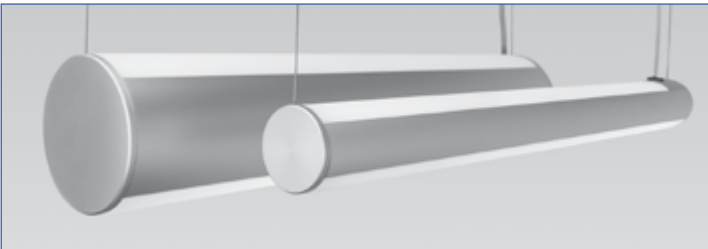
CSS | CSS-R | RAS



Modern refinement, high efficiency and application versatility are the definition of CHLOE LED - our 2.25" and 4.75" round linear LED luminaire.

Designed to deliver direct/indirect light to the ceiling, wall or work plane, CHLOE LED is the perfect match for interior applications requiring high LED efficiency within the smooth lines of a sophisticated light instrument. Dimming capability, Two-Circuit switching (2CKT), or Continuous Run (CR) options make CHLOE LED exceptionally versatile for applications such as: open-plan offices, corridors, libraries or health facilities.

CHLOE LED's streamlined outer profile encases the precision-engineered interior underpinnings of a strong powerhouse while still maintaining an elegant profile and providing LED lighting efficiency.



CHLOE 475/225 CSS



UL and c-UL listed for dry and damp locations.



Made in the USA

FIXTURE SPECIFICATIONS

Construction

Heavy gauge extruded aluminum housing. ¼" thick precision machined aluminum end-caps. Extruded frosted acrylic lenses specifically engineered to deliver smooth and even illumination while maximizing light and luminaire performance.

Finishes

(MA) Matte Aluminum is standard. (MW) Matte White or (FB) Flat Black powder coat finishes optional. Custom finishes available - consult factory.

Fixture Length

Fixtures are available in nominal lengths of 2, 3, 4, 6 and 8 feet. Continuous run mounting available featuring internal adjoining bracket and splines for a straight and precise installation

LED Light Output System

LED Light Output is available as HLO (High Lumen Output) and SLO (Standard Lumen Output) providing efficient illumination. CLO (Custom Lumen Output) allows for end user specified lumen output or tailored wattage consumption for certain models. Consult factory for details.

Dimming

Dimming is available with a variety of control protocols and options. Consult factory for availability and specifications.

Acrylic Lens Option

(FW) Frosted White.

Mounting

Field-adjustable ¼" aircraft (CSS) Cable Suspension System for use with bracket bar, 5" round canopy and cable gripper device (included). 3/6" aircraft cable and (G) Gray power cord included as standard. (RAS) Rotational Arm System option provides 361° directional and lockable aiming with all mounting styles. See ordering guide for possible configurations.

Custom and Mods

We proudly specialize in manufacturing custom and modified luminaires and have the ability to modify most of our standard fixtures. Please contact factory with any inquiries.

SPECIFICATION CODE

CHL-LED-

model	direct light output	indirect light output	color temp	length	finish	lens direct	lens indirect	voltage	dimming	mounting
Model	Direct Light Output	Indirect Light Output	Color Temp	Nominal Length	Powder Coat Finish	Lens Direct	Lens Indirect	Voltage	Dimming	Mounting
CHL-LED-225 ⁷ 2.25" round direct/indirect	SLO - Standard Lumen Output HLO - High Lumen Output	SLO - Standard Lumen Output HLO - High Lumen Output	27 - 2700K 30 - 3000K 35 - 3500K 40 - 4000K	2 - 2' 3 - 3' 4 - 4' 6 - 6' ⁸ 8 - 8' ⁸	MA - Matte Aluminum MW - Matte White FB - Flat Black CUP - Custom ²	FW - Frosted White	FW - Frosted White	120 277 347 ⁵	D1 - 1% (nom) 0-10V HLA2 ⁶ - LTEA2W Lutron H-Lume 1%, 2 wire HL - LDE1 Lutron Hi-Lume 1% EcoSystem HL5 - LDE5 Lutron 5 series EcoSystem DALI - DALI	CSS - Cable Suspended CSS-R - Cable Suspended Rotational RAS - Rotational Arm Mount
CHL-LED-475 4.75" round direct/indirect	CLO ⁵ - Custom Lumen Output	CLO ⁵ - Custom Lumen Output		CR ¹ Continuous Run						

[CLO Calculator](#)

CSS/CSS-R SPECIFICATION CODE

CSS Options

- Orientation³ - CSS³ - Cable Length
- CSS³ - Power Cord Color
- CSS³ - Canopy
- CSS³ - Canopy Finish

CSS selections only³

orientation	standard cable length	standard cord color	standard canopy	standard canopy finish
-------------	-----------------------	---------------------	-----------------	------------------------

RAS SPECIFICATION CODE

RAS Options

- RAS³ - Standard Cover Plate
- RAS³ - Cover Plate Finish
- RAS³ - Arm Length

RAS selections only³

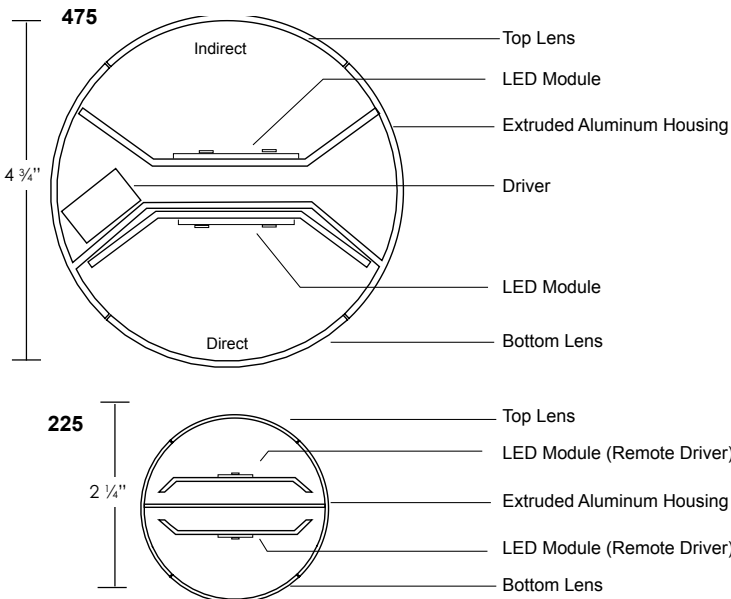
standard plate/knuckle	cover plate finish	arm length
------------------------	--------------------	------------

OPTION CODE

Options

- 2CKT - 2 Circuit Switching
- EM⁴ - Emergency Battery Pack

Dimensions



NOTES

- specify length in nominal feet
- contact factory for custom finish
- see options on follow page for non-standard selections
- consult factory for EM options
- available for EB, D1, D10 drivers only, refer to CLO Calculator for code selection
- 120V only
- 225 fixture driver and EM are remote
- 225 fixture 6' length is made up of (2) 3' fixtures for CSS-R/RAS only
225 fixture 8' length is made up of (2) 4' fixtures for CSS-R/RAS only

*see [option sheet](#) for details

LED

225 (4000K FW lens)

SLO-SLO - 111 lm/watt delivered @ 5.8 w/ft fixture input watts, 643 lm/ft.
HLO-HLO - 109 lm/watt delivered @ 11.8 w/ft fixture input watts, 1287 lm/ft.
CLO-CLO - refer to [CLO Calculator](#)

225 LED [supplement info](#)

475 (4000K FW lens)

SLO-SLO - 109.9 lm/watt delivered @ 8.8 w/ft fixture input watts, 968 lm/ft.
HLO-HLO - 103.3 lm/watt delivered @ 18 w/ft fixture input watts, 1860 lm/ft.
CLO-CLO - refer to [CLO Calculator](#)

475 LED [supplement info](#)

CSS Options

Orientation/Mounting¹

DR/IN - Static Direct/Indirect

R - Rotational with 1.25" knuckle^{2,3}

R2 - Rotational with 2.25" knuckle^{2,3}

R3 - Rotational with 3.25" knuckle^{2,3,4}

Cable Length Options

36 - 36" (standard)

72 - 72"

120 - 120"

Power Cord Color Options

W - White

B - Black

G - Gray (standard)

Canopy Options

STND - Bracket bar w/5" round canopy

NC - No canopy 1/4-20 side exit cable gripper
(1/4-20 stud provided by others)

CU - Custom (contact factory)

Canopy Finish Options

MW - Matte White

SMT - Silver Matte Texture

CUP - Custom (contact factory)



NOTE

- 1 225 CSS fixture lengths 6' and longer require 3 cables per segment
- 2 knuckles match housing finish
- 3 225 CSS-R fixture lengths 6' and longer are made up of multiple fixtures, 6' = (2) 3' sections, 8' = (2) 4' sections
- 4 not available for 225

RAS Options

Cover Plate/ Knuckle/Trim Ring

4CP-R 4" Cover Plate with 1.25" Knuckle (std)

4CP-R2 4" Cover Plate with 2.25" Knuckle

4CP-R3 4" Cover Plate with 3.25" Knuckle

1TR-R 1 1/4" Trim Ring with 1.25" knuckle

1TR-R2 1 1/4" Trim Ring with 2.25" knuckle

1TR-R3 1 1/4" Trim Ring with 3.25" knuckle

Cover Plate Finish

SC - Satin Clear (standard)

MW - Matte White

FB - Flat Black

CUP - Custom Powder Coat

Max arm lengths without additional support
*For lengths longer than max, Specify "TB" in option
section for aircraft cable tie back.

	4'	6'	8'
225	18"	N/A	N/A
475	6"	6"	6"

Arm Length

6 - 6" (standard)

9 - 9"

12 - 12"

18 - 18"

CUL - Custom
(specify length in
inches ex: CUL28)



NOTE

- 1 knuckles match housing finish
- 2 225 RAS fixture lengths 6' and longer
are made up of multiple sections
- 3 not available for 225