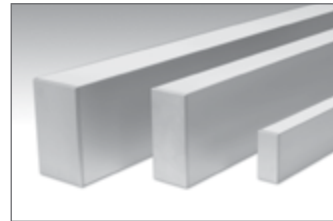
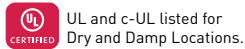
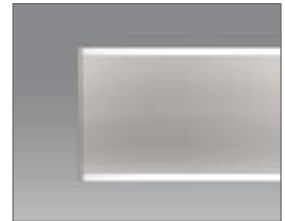


COLLIN LED 325 CSS



325, 225, 125 Profiles



RLW Lens

FIXTURE SPECIFICATIONS

Construction

Heavy gauge extruded aluminum housing. 1/4" thick precision machined aluminum end-caps. Extruded acrylic lenses specifically engineered to maximize the performance and transmission from a variety of light sources.

Finishes

(MW) Matte White, (MA) Matte Aluminum or (FB) Flat Black powder coat finishes. Custom finishes available - consult factory.

Fixture Length

Fixtures are available in nominal lengths of 2, 3, 4, 6 and 8 feet. Continuous run mounting available featuring internal adjoining bracket and splines for a straight and precise installation.

LED Light Output System

LED Light Output available as HLO (High Lumen Output) and SLO (Standard Lumen Output) providing efficient illumination. CLO (Custom Lumen Output) allows for end user specified lumen output or tailored wattage consumption for certain models. Consult factory for details.

Intellect Enabled (Optional Controls)

Intellect-embedded fixtures integrate wireless dimming, occupancy/ vacancy sensing, multi-zone daylight harvesting, manual control and scene control.

Dimming

Dimming is available with a variety of control protocols and options. Consult factory for availability and specifications.

Mounting

Field-adjustable 1/16" aircraft (CSS) Cable Suspension System for use with bracket bar, 5" round canopy and cable gripper device. 36" aircraft cable and (G) Gray power cord included as standard. Please specify (CSS) Cable Suspended or (WM) Wall Mount. Other cable lengths and power cord styles are available, see options guide or consult factory.

Lens and Louver

(FW) Frosted White flush lens or (RLW) Reveal Frosted White with 3/8" extension. (HE) High efficiency lens boosts efficacy up to 120 Lm/w while providing even and continuous diffusion. (FBLSS) Flat Blade Louver Semi-Specular with diffusing layer. Lenses are enhanced with an impact modifier to reduce the chance of breaking.

Performance Optics

Optics with even illumination on direct and indirect light sources. (BW) Batwing, (AS) 15° Asymmetric, and (E70) 70° Elliptical.

Custom and Mods

We proudly specialize in manufacturing custom and modified luminaires and have the ability to modify most of our standard fixtures. Please contact factory with any inquiries.

SPECIFICATION CODE

COL-LED-

model	configuration	direct output	indirect light output	color light	length temp	finish	direct	indirect lens	voltage lens	driver	mounting
Model	Configuration	Direct Light Output	Indirect Light Output	Color Temp	Nominal Length	Finish	Direct Lens	Indirect Lens	Voltage	Driver	Mounting
COL-LED-125 1.25" Direct/Indirect (remote driver)	1DR-1IN - Output direct/ Output indirect IDR-0IN - Output direct/ indirect	SLO - Standard Lumen Output	SLO - Standard Lumen Output	27 - 2700K/90 CRI 30 - 3000K/80 CRI 309 - 3000K/90 CRI	2 - 2' 3 - 3' 4 - 4' 6 - 6' 8 - 8'	Powder Coat MW - Matte White FB - Flat Black MA - Matte Aluminum CUP - Custom ²	FW - Frosted White HE ¹² - High Efficiency RLW ⁷ - Reveal Frosted White 3/8" extended BW ¹² - Batwing 115° AS ¹² - Asymmetric 20° E70 ¹² - Elliptical 70° FBLSS ⁷ - Flat Blade Louver Semi-Specular	FW - Frosted White HE ¹² - High Efficiency RLW ⁷ - Reveal Frosted White 3/8" extended BW - Batwing 115° AS - Asymmetric 15° E70 - Elliptical 70°	120 277 347 ⁶	D1 - 1% (nom) 0-10V HL - LDE1 Lutron Hi-Lume 1% EcoSystem DALI - DALI	CSS - Cable Suspended WM ⁸ - Wall Mount (325 Only) WMB - Wall Mount Bracket
COL-LED-225 2.25" Direct/Indirect	No Light output option	HLO - High Lumen Output CLO ⁴ - Custom Lumen Output	HLO - High Lumen Output CLO ⁴ - Custom Lumen Output	35 - 3500K/80 CRI 359 - 3500K/90 CRI 40 - 4000K/80 CRI 409 - 4000K/90 CRI	CR ¹ - Continuous Run MTR-R ¹¹ - Miter Run						
COL-LED-325 3.25" Direct/Indirect											

Performance Per Linear Foot

Nominal Delivered Lumen Output	Watts/ft	Lm/w	Lens
SLO - 1004 lm/ft	8.8	114.09	325 HE
SLO - 942 lm/ft	8.8	107.4	225 HE

CSS SPECIFICATION CODE

CSS Options

- CSS**³ - Cable Length
- CSS**³ - Power Cord Color
- CSS**³ - Canopy
- CSS**³ - Canopy Finish

CSS selections only³

standard cable length	standard cord color	standard canopy	standard canopy finish
-----------------------	---------------------	-----------------	------------------------

OPTION CODE

Options

- 2CKT** - 2 Circuit Switching
- EM**⁹ - Emergency Battery Pack
- IEPH1**¹⁰ - Leviton Intellect™ Embedded integral sensor and power pack

option option

NOTES

1. Specify length in nominal feet
2. Contact factory for custom finish
3. See options below for non-standard selections
4. Refer to clo calculator for code selection
5. 120V only
6. 347 Available for D1, D10 drivers only
7. FBLSS option is direct with FW as indirect. RLW option is the same selection on both direct and indirect sides
8. WM 325 only
9. Consult factory for em options
10. Integral power pack only in 225 and 325
11. See [Miter Worksheet](#) for specification (detailed drawing required)
12. Available in 225 and 325

*See [Option Sheet](#) For Details

CSS Options

Cable Length 36 - 36" (standard) 72 - 72" 120 - 120"	Power Cord Color W - White B - Black G - Gray (standard)	Canopy STND - Bracket bar w/5" round canopy NC - No canopy 1/4-20 side exit cable gripper (1/4-20 stud provided by others) CU - Custom (contact factory)	Canopy Finish MW - Matte White SMT - Silver Matte Texture FB - Flat Black CUP - Custom (contact factory)
--	---	---	---

COLLIN LED

Direct/Indirect Luminaire

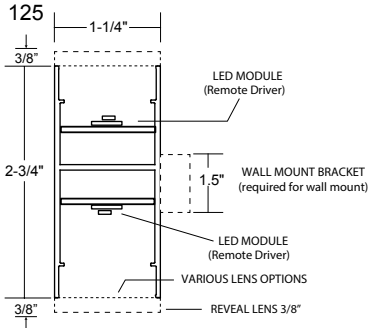
1.25", 2.25", 3.25"

www.birchwoodlighting.com

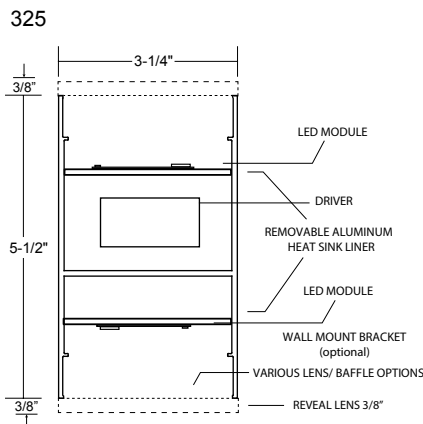
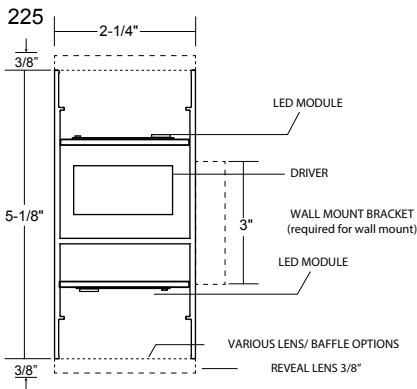
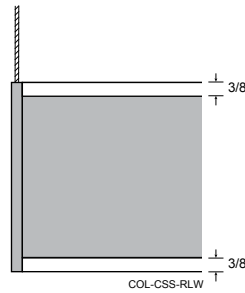
Type: Job Name:

Cable Suspended | Wall Mount

Dimensions



RLW Lens Dimensions



Performance Data

Lens, Louver, and Optic options

Indirect					
FW-Frosted White Lens	HE-High Efficiency Lens	BW - Batwing Optic	AS - Asymmetric 20° Optic	E70 - Elliptical 70° Optic	
Direct					
FW-Frosted White Lens	HE-High Efficiency Lens	BW - Batwing Optic	AS - Asymmetric 20° Optic	E70 - Elliptical 70° Optic	FBLSS - Flat Blade Louver

Collin 125-DR				*Delivered Lumen Data			Collin 325-DR				*Delivered Lumen Data		
Lens/Optic	HLO-lm/w	watts/ft	Lm/ft	SLO-lm/w	watts/ft	Lm/ft	Lens/Optic	HLO-lm/w	watts/ft	Lm/ft	SLO-lm/w	watts/ft	Lm/ft
FW	70.5	7.08	499	71.7	2.9	249	BW	95.0	8.8	830.8	103.4	4.3	439.3
Collin 125-IN				71.7	7.08	166	AS	103.0	8.8	905.0	111.0	4.3	478.5
FW	70.5	4.72	333	98.0	4.3	416.4	E70	90.0	8.8	791.0	98.4	4.3	418.2
Collin 225-DR				96.6	4.3	410.4	HE	104.0	8.8	911.0	112.4	4.3	481.7
BW	90.0	8.8	787.5	92.6	4.3	393.4	FW	85.4	8.8	769.0	95.7	4.3	406
AS	89.0	8.8	776.3	105.4	4.3	448.0	Collin 325-IN				115.8	4.3	492.1
E70	85.0	8.8	744.0	95.3	4.3	405.2	BW	106.0	8.8	930.8	112.5	4.3	478.1
HE	96.0	8.8	847.3	111.4	4.3	473.5	AS	103.0	8.8	904.3	109.7	4.3	466.2
FW	87.0	8.8	766.3	108.0	4.3	459.1	E70	100.0	8.8	881.8	122.9	4.3	522.2
Collin 225-IN				92.5	4.3	393.3	HE	113.0	8.8	987.5	95.7	4.3	406.6
BW	102.0	8.8	895.5	116.2	4.3	494.0	FW	85.4	8.8	769.0			
AS	99.0	8.8	868.3	95.3	4.3	405.2							
E70	85.0	8.8	743.8										
HE	106.0	8.8	934.3										
FW	87.0	8.8	766.3										