




ERI-DR/IN-225 Flush Lens




Offering show-stopping elegance within a dynamic geometric shape and profile, ERIKA creates a sensational impression in any interior application.

Horizontally cable-suspended, ERIKA's lean and modern design can be specified in square, rectangular, or custom shapes of 1.25", 2.25" or 3.25" mitered extruded aluminum. Direct/ Indirect illumination with dual circuit and lumen package options. Extruded acrylic lenses in Flush or Reveal version, while integral dimming and battery pack options are also available for added lighting versatility.

Available with standard and custom lumen LED sources. Select Satin Clear (anodized), or Matte White or Flat Black (powder coat paint) as standard finishes. Custom finish options are also available.

 UL and c-UL listed for dry and damp locations.

 Made in the USA

FIXTURE SPECIFICATIONS

Construction

Heavy gauge square extruded aluminum housing. Extruded acrylic lenses specifically engineered to maximize the performance and transmission from a variety of light sources.

Mounting Options

Field-adjustable 1/16" aircraft (CSS) Cable Suspension System for use with bracket bar, 5" round canopy and cable gripper device. 36" aircraft cable and (G) Gray power cord are included as standard. For horizontal mounting orientation only.

Finishes

(SC) Satin Clear anodize is standard finish. Other powder coat finishes available. Consult factory for options.

LED Light Output System

LED Light Output is available as HLO (High Lumen Output) and SLO (Standard Lumen Output) providing efficient illumination. CLO (Custom Lumen Output) allows for end user specified lumen output or tailored wattage consumption for certain models. Consult factory for details.

Dimming

Dimming is available with a variety of control protocols and options. Consult factory for availability and specifications.

Acrylic Lens Style

(FW) Flush Frosted White lens, (RLW) Reveal Frosted White lens with 3/8" extension.

Custom and Mods

We proudly specialize in manufacturing custom and modified luminaires and have the ability to modify most of our standard fixtures. Please contact factory with any inquiries.

www.birchwoodlighting.com

Type: Job Name:

CSS

SPECIFICATION CODE

ERI-LED-DR/IN

Model	Configuration	Direct Light Output	Indirect Light Output	CCT/ CRI	Nominal Length	Finish	Lens Direct	Lens Indirect	Voltage	Driver	Mounting
ERI-LED-DR/IN-125S⁶ 1.25" Direct/Indirect	1DR-11N - 1 light source direct/1 indirect	SLO - Standard Lumen Output	SLO - Standard Lumen Output	27 - 2700K/ 90 CRI 30 - 3000K/ 80 CRI 309 - 3000K/ 90 CRI	2X2 - 2' square 3X3 - 3' square 4X4 - 4' square	Anodized SC - Satin Clear Powder Coat	FW - Flush Lens FW - Frosted White RLW - Reveal	FW - Flush Lens FW - Frosted White RLW - Reveal	120 277 347⁴	D1 - 1% (nom) 0-10V HLA2⁵ - LTEA2W Lutron	CSS - Cable Suspended (36" standard)
ERI-LED-DR/IN-225S 2.25" Direct/Indirect	1DR-01N - 1 light source direct/0 indirect	HLO - High Lumen Output CLO⁴ - Custom Lumen Output	HLO - High Lumen Output CLO⁴ - Custom Lumen Output	35 - 3500K/ 80 CRI 359 - 3500K/ 90 CRI 40 - 4000K/ 80 CRI 409 - 4000K/ 90 CRI	2X3 - 2' x 3' 2X4 - 2' x 4' 3X4 - 3' x 4'	MW - Matte White FB - Flat Black CUP - Custom ²	FW - Flush Lens FW - Frosted White RLW - Reveal 3/8" extended	RLW - Reveal Frosted White 3/8" extended	120 277 347⁴	D1 - 1% (nom) 0-10V HLA2⁵ - LTEA2W Lutron Hi-Lume 1%, 2 wire HL - LDE1 Lutron Hi-Lume 1% EcoSystem DALI - DALI	CSS-M - Mono Point - Cable Suspended
ERI-LED-DR/IN-325S 3.25" Direct/Indirect	(0) designates No lamp option	CLO⁴ - Custom Lumen Output	CLO⁴ - Custom Lumen Output		_x_ -Custom ccsizes ¹						

[CLO Calculator](#)

CSS SPECIFICATION CODE

CSS Options

- CSS³ -** Cable Length
- CSS³ -** Power Cord Color
- CSS³ -** Canopy Finish

CSS selections only³

standard cable length	standard cord color	standard canopy	standard canopy finish
-----------------------	---------------------	-----------------	------------------------

OPTION CODE

Options

2CKT - 2 Circuit Switching

option

NOTES

- 1 specify length in nominal feet
- 2 contact factory for custom finish
- 3 see options below for non-standard selections
- 4 available for D1, D10 drivers only
- 5 120V only
- 6 driver is remote

*see [option sheet](#) for details

CSS Options

Cable Length

36 - 36" (standard)
72 - 72"
120 - 120"

Power Cord Color

W - White
B - Black
G - Gray (standard)

Canopy

STND - Bracket bar w/5" round canopy
NC - No canopy 1/4-20 side exit cable gripper (1/4-20 stud provided by others)
CU - Custom (contact factory)

Canopy Finish

MW - Matte White
Smt - Silver Matte Texture
FB - Flat Black
CUP - Custom (contact factory)

LED

125 (4000K FW lens) 60% Indirect / 40% Direct

SLO-SLO - 71.7 lm/watt delivered @ 5.8 w/ft fixture input watts, 249 lm/ft. Indirect, 166 lm/ft. Direct

HLO-HLO - 70.5 lm/watt delivered @ 11.8 w/ft fixture input watts, 499 lm/ft. Indirect, 333 lm/ft. Direct

CLO-CLO - refer to [CLO Calculator](#)

225 LED [supplement info](#)

225 8' (4000K FW lens) 1DR-1IN*

SLO-SLO - 99.6 lm/watt delivered @ 8.8 w/ft fixture input watts, 878 lm/ft.
HLO-HLO - 93.6 lm/watt delivered @ 18 w/ft fixture input watts, 1686 lm/ft.

CLO-CLO - refer to [CLO Calculator](#)

225 LED [supplement info](#)

325 8' (4000K FW lens) 1DR-1IN*

SLO-SLO - 89.4 lm/watt delivered @ 8.8 w/ft fixture input watts, 786 lm/ft.
HLO-HLO - 84 lm/watt delivered @ 18 w/ft fixture input watts, 1512 lm/ft.

CLO-CLO - refer to [CLO Calculator](#)

325 LED [supplement info](#)

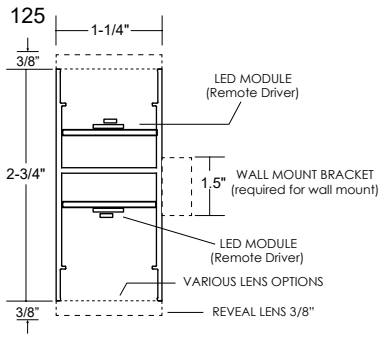
* For 1DR-01N divide lm/ft and w/ft data by 2

www.birchwoodlighting.com

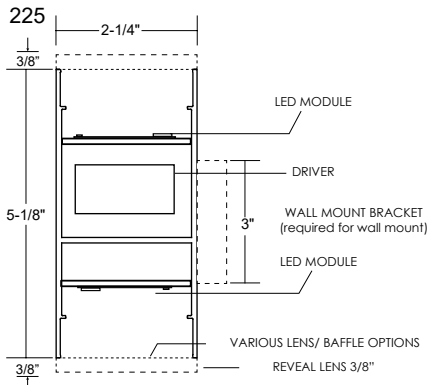
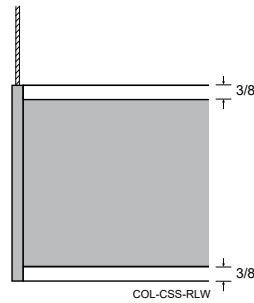
Type: Job Name:

CSS

Dimensions



RLW Lens Dimensions



325

