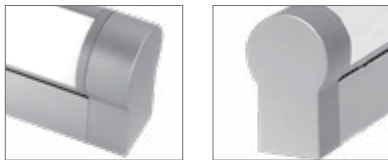


# HAI-LED RSM

HAILEY 2.25" Rotational Surface Mount

TYPE: \_\_\_\_\_  
JOB NAME: \_\_\_\_\_



## APPLICATION

- Standard mounting shall be wall or hard-ceiling applications
- See installation information for specific details and guidelines
- Fixtures are available in 2', 3', 4' and 5' nominal lengths.

## CONSTRUCTION

- Housing shall be extruded aluminum, 6061-T6 alloy
- End Caps shall be aluminum 5052-H3 alloy
- Internal bracket shall be either galvanized steel or aluminum 5052-H3 alloy
- Lens shall be extruded frosted acrylic specifically engineered to deliver smooth and even illumination while maximizing light and luminaire performance
- Internal hardware shall be stainless steel
- Power feed input shall be 1/2" conduit (0.875" knockout) standard, fittings by others

## FINISHES

Standard finish shall be epoxy powder coating, consult factory for custom finishes

## ELECTRICAL

- Light output system shall have a rated life of L70 > 60,000 hours based on LED testing per LM-80-08 and projected values using IESNA TM21-11
- Driver shall be Class II, 6kV surge protection
- Emergency Mode Operation available in 120-277V input only

## LISTING / WARRANTY

- 5-Year Limited Warranty
- US and Canada listed for dry/damp locations.



ELECTRICAL DATA: (Data Based On 4000K/80CRI Configuration)

Light Output	SLO			HLO		
	lm/ft	W/ft	lm/W	lm/ft	W/ft	lm/W
HAI-LED-225 (FW)	368	4.4	83.5	707	9	78.5

Wattage includes driver and LED Module consumption.

Delivered lumen output will vary depending on CCT, CRI, and Optic selection.

ORDERING CODE: (Example: HAI-LED-225-RSM-SLO-359-4-SC-FW-120-D1-EM)

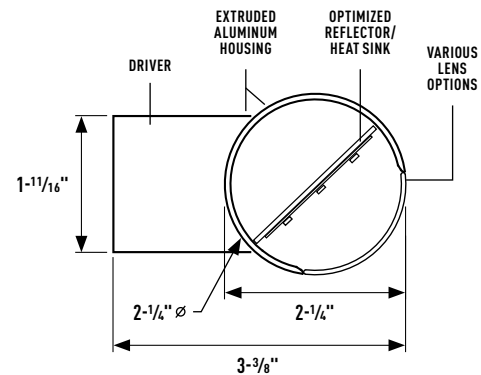
1: Model	2: Lumen Output	3: CCT/CRI	4: Nominal Length	5: Housing Finishes	6: Lens Option	7: Voltage
HAI-LED-225-RSM (2.25" Aperture, Rotational Surface Mount)	-SLO (Standard)	-279 (2700K / 90CRI)	-2 (26'-1/16")	-MA (Matte Aluminum)	-FW (Frosted White)	-120 (120V)
	-HLO (High)	-30 (3000K / 80CRI)	-3 (37'-1/16")	-MW (Matte White)		-277 (277V)
	-CLO <sup>1,2</sup> (Custom)	-309 (3000K / 90CRI)	-4 (49'-5/16")	-FB (Flat Black)		-347 <sup>2</sup> (347V)
		-35 (3500K / 80CRI)	-5 (60'-15/16")	-CUP <sup>1</sup> (Custom)		
		-359 (3500K / 90CRI)				
		-40 (4000K / 80CRI)				
	-409 (4000K / 90CRI)					

8: Dimming	9: Options
-D1 (1%, 0-10V)	EM <sup>1</sup> (Emergency Battery)
-ED10V1 (1%, 0-10V eldoLED)	
-ED10V01 (0.1%, 0-10V eldoLED)	
-HLA2 <sup>3</sup> (1%, LTA2W Lutron Hi-Lume 2-Wire)	
-HL (1%, LDE1 Lutron Hi-Lume Ecosystem)	
-DALI (1%, DALI)	

## NOTES

- Contact factory for options & lead times
- Available with D1 option only
- Available in 120V only

## Dimensions



SPECIFICATION SHEET LM-0109-24 P.7

BIRCHWOOD LIGHTING | 3340 E La Palma Ave, Anaheim, CA 92806 | tel 714 550-7118 | fax 714 550-7151 | www.birchwoodlighting.com

For Birchwood Lighting's limited product warranty, go to www.birchwoodlighting.com. For a printed copy of the warranty, you may call 800 961-5321.

© 2024 Birchwood Lighting, Inc. All rights reserved. Note: This document is subject to change without notice.

BIRCHWOOD lighting | a LEVITON company