

JAKE LED REGRESSED LENS

1.65" 2.25" 3.25" 5.00" 4TZ 6TZ
T-Grid

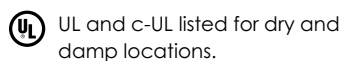
1" Regressed Lens Linear LED Fixture



JAKE LED is a recessed linear luminaire comprised of various apertures, LED light source options and accessory options. JAKE LED 1.65", 2.25", 3.25" and 5.00" can be installed in T-Grid ceiling installations.

Offering various installations from wall to ceiling, or along the wall, JAKE LED qualifies as one of our most versatile fixtures yet. Optional 90° mitered angles allow the creation of endless transverse runs: Inside Corner wall to ceiling (IC90), Outside Corner (OC90), or Face surface (F90). JAKE LED accessory options are designed to fit your most sophisticated lighting applications via lenses, louvers, and distinctive finishes.

JAKE LED Light Outputs and dimmable driver components which combined together provide optimal LED lighting system capabilities.



Made in the USA

FIXTURE SPECIFICATIONS

Construction

Fixture body is constructed of heavy gauge extruded aluminum. Fixtures are available in nominal lengths of 2, 3, 4, 6 and 8 feet, and continuous run lengths. Lenses are extruded acrylic.

Mounting

Recessed linear fixture for T-Grid ceiling installations. Available as continuous run mount. See installation information for specific details regarding installation guidelines. Various mounting clips provided for ease of installation.

Finishes

Fixture exposed edges are standard Matte White (MW). Custom powder coat finishes available - consult factory.

LED Light Output System

LED Light Outputs are available as HLO (High Lumen Output) and SLO (Standard Lumen Output) providing efficient illumination. CLO (Custom Lumen Output) allows for end user specified lumen output or tailored wattage consumption for certain models. Consult factory for details.

Dimming

Dimming is available with a variety of control protocols and options. Consult factory for availability and specifications.

Options

90° corner angles for transverse-run applications: from wall to ceiling Inside Corner (IC90), Outside Corner (OC90), and Face surface (F90).

Custom and Mods

We proudly specialize in manufacturing custom and modified luminaires and have the ability to modify most of our standard fixtures. Please contact factory with any inquiries.

Type: Job Name:

1" Regressed Lens Linear LED Fixture

SPECIFICATION CODE

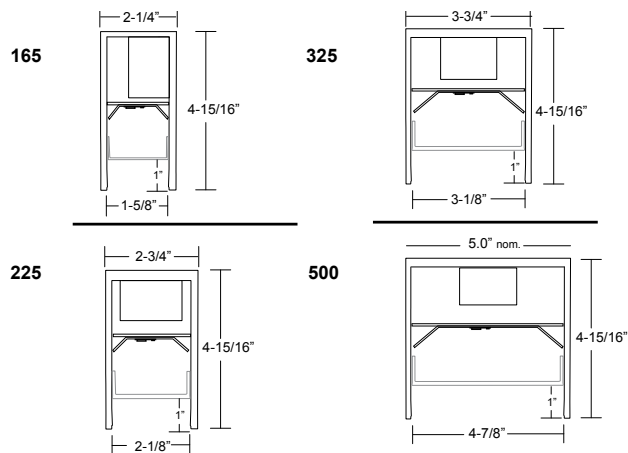
JAK-LED-REG-

model	trim style	light Output	color temp	length	lens	voltage	driver	option	option
Model	Trim Style ²	Light Output	Color Temp & CRI	Nominal Length	Lens	Voltage	Driver	Options	
JAK-LED-REG-165 - 1.65" aperture	T-Grid Ceilings⁵ LT9 - 9/16" exposed lay-in	SLO - Standard Lumen Output	279 - 2700K / 90 CRI 30 - 3000K / 80 CRI 309 - 3000K / 90 CRI	2 - 2' 3 - 3' 4 - 4'	FW - Frosted White	120 277 347⁵	EB - Electronic Dimming	EM⁴ - Emergency battery pack	
JAK-LED-REG-225 - 2.25" aperture	LT15 - 15/16" exposed lay-in TT9 - 9/16" Tegular	HLO - High Lumen Output	35 - 3500K / 80 CRI 359 - 3500K / 90 CRI 40 - 4000K / 80 CRI	6 - 6' 8 - 8'			D1 - 1% (nom) 0-10V HLA2³ - LTEA2W Lutron	CP⁹ - Chicago Plenum	
JAK-LED-REG-325 - 3.25" aperture	TT15 - 15/16" Tegular ITA - Interlude [®] 9/16" ST9 - Slot Grid 9/16"	CLO⁵ - Custom Lumen Output	409 - 4000K / 90 CRI	CR¹ Continuous Run			H-Lume 1%, 2 wire HL - LDE1 Lutron Hi-Lume 1% EcoSystem	Finishes² CUP - Custom powder coat	
JAK-LED-REG-500⁸ - 5.00" aperture		CLO Calculator			MTR-R⁵ Miter Run MTR-REC⁵ Miter Rectangle				
JAK-LED-REG-4TZ⁷ - 3.25" aperture in 4" Armstrong [®] TechZone [®]							HL5 - LDE5 Lutron 5 series EcoSystem		
JAK-LED-REG-6TZ⁸ - 5.00" aperture in 6" Armstrong [®] TechZone [®]							DALI - DALI		

NOTES

- 1 specify lengths in nominal feet
- 2 fixture exposed edges are standard Matte White, see [option sheet](#) for custom finishes
- 3 120V only
- 4 consult factory for EM options
- 5 available for EB, D1, D10 drivers only
- 6 see T-Grid Sheet for more details
- 7 JAK-LED-REG-4TZ only available with 9/16" trim style
- 8 JAK-LED-REG-500/6TZ are not available in 2700K color temp
- 9 compliant with CCEA Chicago Plenum code requirements

Dimensions



LED

165 (4000K FW lens)

SLO - 74.6 lm/watt delivered @ 2.9 w/ft fixture input watts, 217 lm/ft.
HLO - 73.3 lm/watt delivered @ 5.9 w/ft fixture input watts, 433 lm/ft.
CLO - refer to [CLO Calculator](#)
[165 LED supplement info](#)

225 (4000K FW lens)

SLO - 63.3 lm/watt delivered @ 4.4 w/ft fixture input watts, 280 lm/ft.
HLO - 59.7 lm/watt delivered @ 9 w/ft fixture input watts, 538 lm/ft.
CLO - refer to [CLO Calculator](#)
[225 LED supplement info](#)

325 (4000K FW lens)

SLO - 76.3 lm/watt delivered @ 4.4 w/ft fixture input watts, 336 lm/ft.
HLO - 71.7 lm/watt delivered @ 9 w/ft fixture input watts, 646 lm/ft.
CLO - refer to [CLO Calculator](#)
[325 LED supplement info](#)

500 (4000K FW lens)

SLO - 89.0 lm/watt delivered @ 5.8 w/ft fixture input watts, 517 lm/ft.
HLO - 83.0 lm/watt delivered @ 12.1 w/ft fixture input watts, 1004 lm/ft.
CLO - refer to [CLO Calculator](#)
[500 LED supplement info](#)

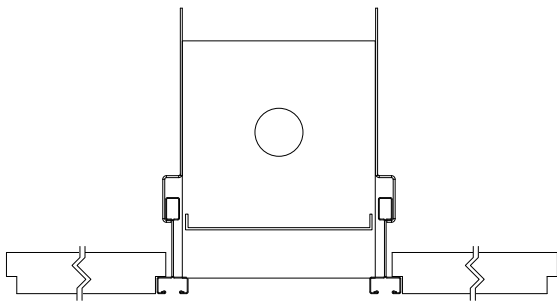
Type:

Job Name:

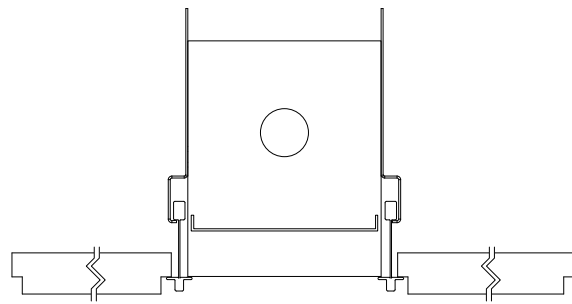
1" Regressed Lens Linear LED Fixture

REGRESSED LENS T-GRID TRIM STYLES

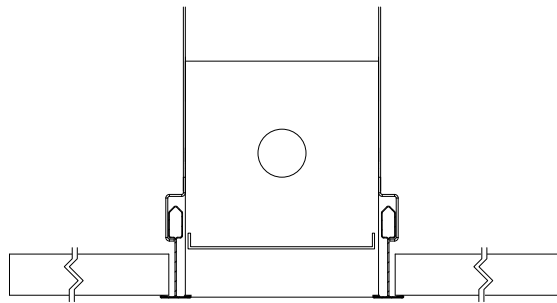
ST9 - 9/16 SLOT GRID



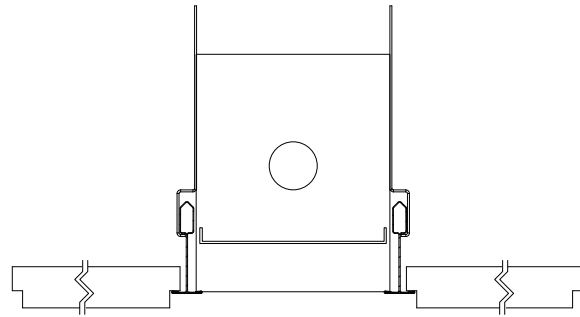
ITA - Interlude



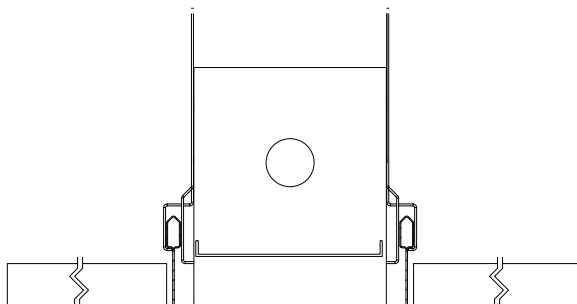
LT9 - 9/16 LAY-IN



TT9 - 9/16 TEGULAR



LT15 - 15/16 LAY-IN



TT15 - 15/16 TEGULAR

