

JILL LED - ASYM

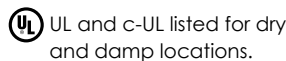
1.65" Asymmetric Drop Lens
Trim/Trimless

Drop-Lens Recessed Linear Fixture



Elusive and revealing: JILL ASYM combines both qualities with a dropped-asymmetric lens designed to deliver wall-washing illumination from an ultra-slender recessed aperture. JILL ASYM's 2-dimensional lens is designed to obscure lamp image on vertical side while simultaneously projecting wall washing light from the diagonal side of the frosted and clear prismatic acrylic lens combination.

JILL ASYM can be mounted in gypsum ceilings or walls with either a 3/4" Trim (TR) or Trimless mud-over flange. Asymmetric acrylic dropped lenses provide smooth direct and wall wash light distribution to any architectural indoor specification. With a smaller aperture, multiple installation options and the appearance of a floating asymmetric lens, JILL ASYM offers beauty in plain sight.



FIXTURE SPECIFICATIONS

Construction

Fixture body is constructed of heavy gauge extruded anodized aluminum. Fixtures are available in nominal lengths of 2, 3, 4, 6, 8 feet, and continuous run lengths. Lenses are extruded acrylic. End caps are (MEC) machined aluminum or (IEC) illuminated precision-cut acrylic.

Mounting

Recessed linear fixture for drywall, or wood ceiling installations, or for mounting on the wall on a vertical plane. Available as continuous row mount. See installation information for specific details regarding installation guidelines. Various mounting options available for ease of installation.

LED Light Output System

LED Light Outputs are available as HLO (High Lumen Output) and SLO (Standard Lumen Output) providing efficient illumination. CLO (Custom Lumen Output) allows for end user specified lumen output or tailored wattage consumption for certain models. Consult factory for details.

Dimming

Dimming is available with a variety of control protocols and options. Consult factory for availability and specifications.

Acrylic Lens

The acrylic lens is a co-extrusion frosted white linear prismatic on the angled face, frosted white on the adjacent side.

Custom and Mods

We proudly specialize in manufacturing custom and modified luminaires and have the ability to modify most of our standard fixtures. Please contact factory with any inquiries.

Type: Job Name:

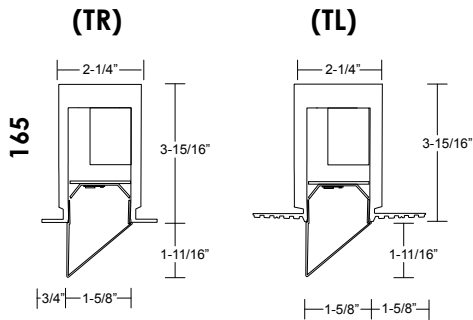
Drop-Lens Recessed Linear Fixture

SPECIFICATION CODE

JIL-ASYM-LED-165

model	trim style	light Output	color temp	length	lens end cap	voltage	driver	options
Model	Trim Style²	Light Output	Color Temp	Nominal Length	Lens End Cap	Voltage	Driver	Options
JIL-ASYM-LED-165 - JILL 1.65" aperture Narrow LED	TR - 3/4" flange	SLO - Standard Lumen Output	27 - 2700K 30 - 3000K 35 - 3500K	2 - 2' 3 - 3' 4 - 4'	IEC - Illuminated End Cap	120 277 347⁷	EB - Electronic	EM⁶ - Emergency battery pack
	TL - Trimless Mud-over flange	HLO - High Lumen Output	40 - 4000K	6 - 6' 8 - 8'	MEC-SC Machined End Cap - Satin Clear		Dimming ³ D1 - 1% (nom) 0-10V HLA2⁵ - LTEA2W Lutron	CP⁸ - Chicago Plenum
		CLO⁸ - Custom Lumen Output		CR¹ Continuous Run	MEC-MW Machined End Cap - Matte White		H-Lume 1%, 2 wire HL - LDE1 Lutron Hi-Lume 1% EcoSystem	Trim Finishes ² FB - Flat Black MW - Matte White CUP - Custom powder coat
		CLO Calculator			MEC-FB Machined End Cap - Flat Black		HL5 - LDE5 Lutron 5 series EcoSystem	
					MEC-CUP Machined End Cap - Custom Powder Coat Color		DALI - DALI	

Dimensions



NOTES

- 1 specify lengths in nominal feet
- 2 T-Grid standard is Matte White see [option sheet](#) for custom finishes
- 3 consult factory for driver compatibility
- 4 see [T-Grid sheet](#) for more details
- 5 120v only
- 6 consult factory for EM options
- 7 available for EB, D1, D10 drivers only
- 8 compliant with CCEA Chicago Plenum code requirements

LED

165 (4000K FW lens)

SLO - 103.6 lm/watt delivered @ 2.9 w/ft fixture input watts, 301 lm/ft.
HLO - 101.7 lm/watt delivered @ 5.9 w/ft fixture input watts, 600 lm/ft.
CLO - refer to [CLO Calculator](#)
[165 LED supplement info](#)

