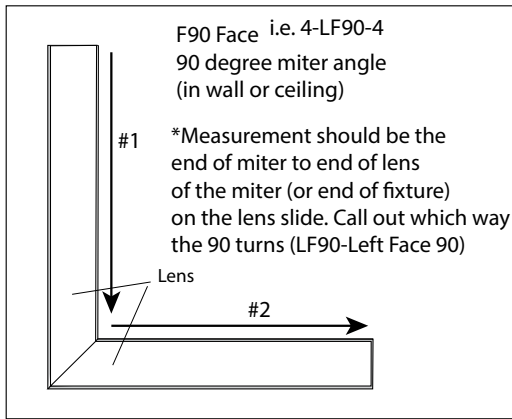
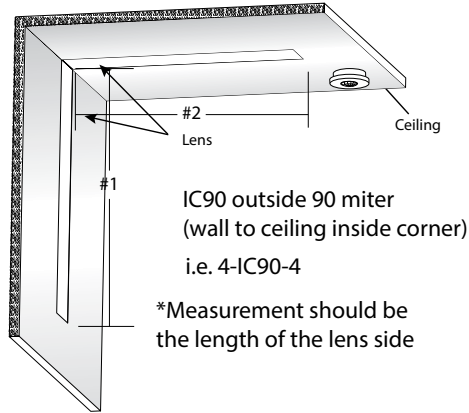
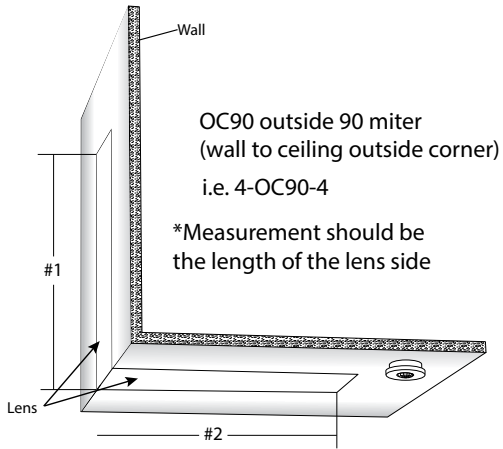


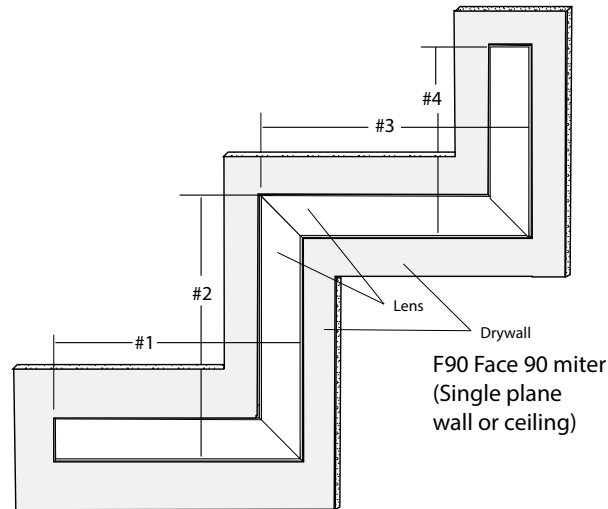
JAKE Linear Recessed

Miter Corner Options

TYPE: _____
 JOB NAME: _____



Notes:
 Drawings are Plan View layout
 For miters other than 90° contact factory



Miter callout key:
 IC90 - Inside corner 90
 OC90 - Outside Corner 90
 RF90 - Right Face 90
 LF90 - Left Face 90

*Measurement should be the end of miter to end of lens or of the miter (or end of fixture) on the lens slide

4	LF90	3	RF90	4	LF90	2
run #1	miter style	run#2	miter style	run#3	miter style	run#4

Miter Work Sheet:
 Examples: 4-LF90-2RF90-4-LF90-2

Run #1	Miter Style	Run #2	Miter Style	Run #3	Miter Style	Run #4	Miter Style	Run #5	Miter Style
--------	-------------	--------	-------------	--------	-------------	--------	-------------	--------	-------------