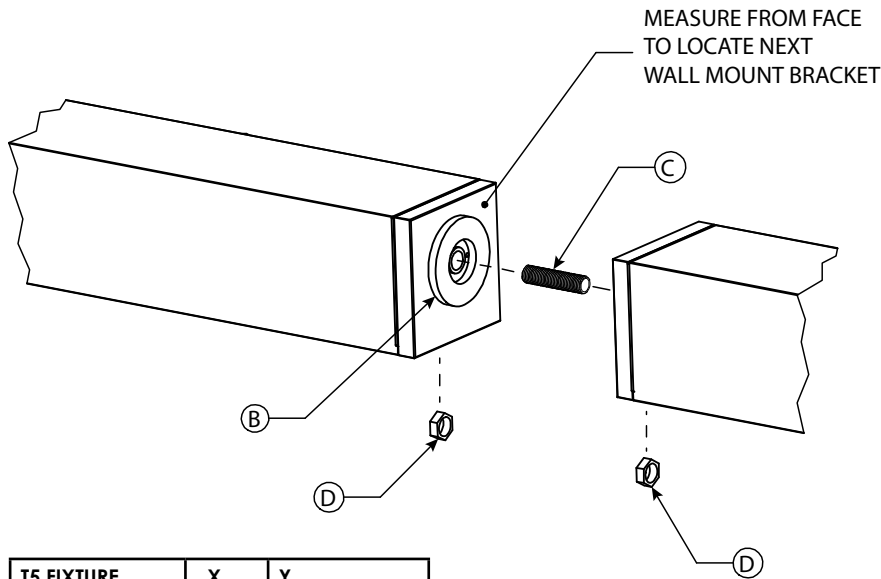


INSTRUCTION SHEET

STND, EF, and JBE

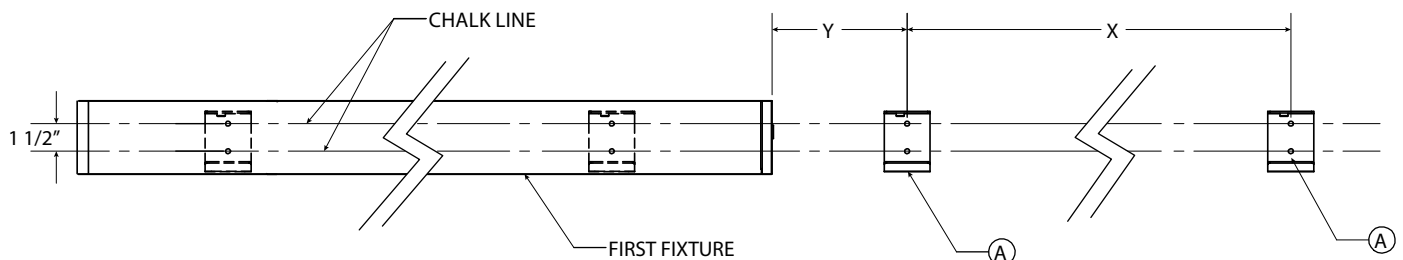


T5 FIXTURE	X	Y
2'	16"	8 7/8"
3'	24"	8 7/8"
4'	32"	8 7/8"
T8 FIXTURE	X	Y
2'	16"	9 13/16"
3'	24"	9 13/16"
4'	32"	9 13/16"
LED FIXTURE	X	Y
2'	16"	9 1/16"
3'	24"	9 1/16"
4'	32"	9 1/16"

Mounting

1. Mark 2 chalk lines as shown. Lengths should be as long as the entire continuous run length.
2. Install first fixture using accompanying installation instructions. Note: first fixture will have main power feed.
3. Measure from face of end cap to locate wall mount brackets (A) and install as shown.
4. Peel and stick gasket (B) to first fixture as shown.
5. Mount second fixture on wall brackets (A).
6. Install coupling (C) between first and second fixture and secure with locknuts (D).
7. Pull wire (by others) thru coupling and make connections.
8. Install additional fixtures as required

**note:** Continuous run, provide for 1/8" between fixtures..



**Note:** To be installed by a qualified electrician per N.E.C. and all local codes.

820-00119  
V-0615